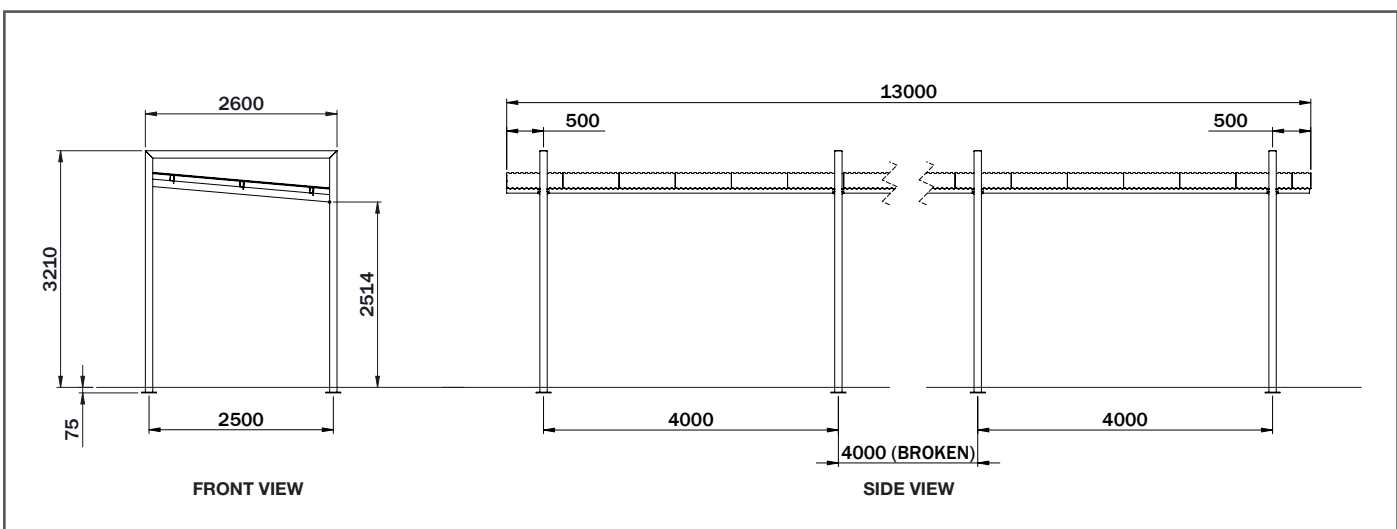


# STANDARD PRODUCT EXHIBITION WALKWAY



### Dimensions (mm):

Overall: 2600D x 3210H  
 Internal: 2500D x 2514H  
 Module length: 4000

### Finishes:

Powder Coated Aluminium frame  
 Referto Dulux Powder Coat colours

### Features:

Colorbond roof  
 Scalable design  
 Modular design  
 Concealed footings

### Optional extras:

Mesh or louvre panels  
 LED lighting (mains or solar)  
 Drain to surface

P: 1300 557 654  
 W: [stoddartinfrastucture.com.au](http://stoddartinfrastucture.com.au)  
 E: [info@stoddartinfrastucture.com.au](mailto:info@stoddartinfrastucture.com.au)

Copyright Stoddart Infrastructure. All rights reserved.

