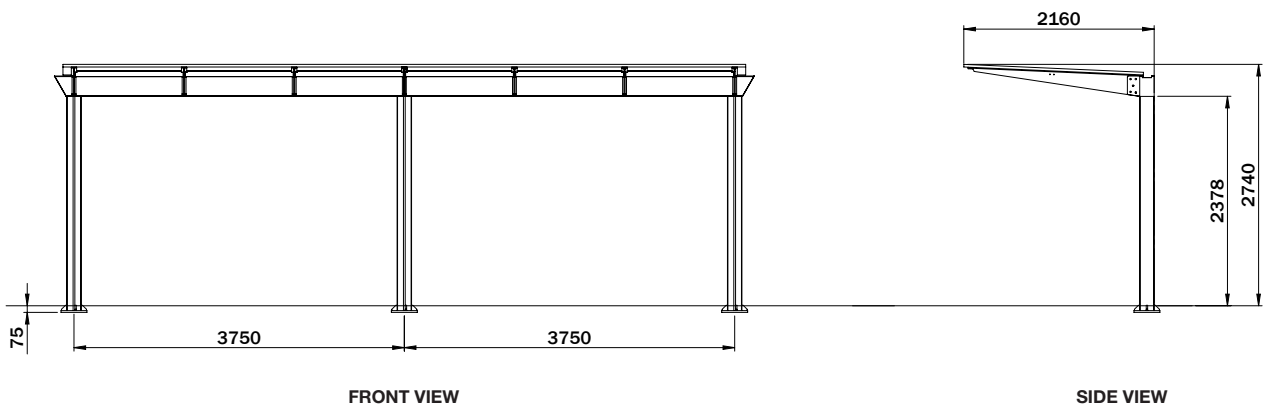


STANDARD PRODUCT

# WELLINGTON SINGLE-SIDED WALKWAY



**Dimensions (mm):**

Overall: 2160D x 2740H  
Internal: 2160D x 2378H  
Module length: 3750

**Finishes:**

Powder Coated Aluminium frame  
Refer to Dulux Powder Coat colours

**Features:**

Aluminium roof  
LED lighting  
Internal drainage  
Concealed footings  
Scaleable design  
Modular design

**Optional extras:**

Wall panels (glass or mesh)  
Windbreaks  
Solar powered lighting  
Drain to surface

P: 1300 557 654  
W: [stoddartinfrastucture.com.au](http://stoddartinfrastucture.com.au)  
E: [info@stoddartinfrastucture.com.au](mailto:info@stoddartinfrastucture.com.au)

Copyright Stoddart Infrastructure. All rights reserved.