



CH.IBSS.BMC.U.GSB.7

Island Buffet

Heated - Stainless Steel Top & Stainless Steel Panels



Product Information:

- Fitted with an underbench bain marie and heated gantry CH.BMC.U.GSB
- Adjustable digital temperature controller allows food to be held between +65°C to +90°C (food must be heated above 65°C before being placed in the bain marie)
- Wet or dry operation (temperature varies greatly when run dry, should not be left unattended for long periods of time)
- Fitted with 10mm thick toughened glass gantry with overhead Quartz IR heat lamps to provide heat and illumination to the product below
- Pans are recessed to minimise water condensation on surrounding bench top
- Culinaire buffet units can be customised to suit any application (minimum dimensions of buffet unit shown below)
- Additional items can be incorporated into the buffet unit such as plate dispensers, plate shelves under, induction warming units, etc.
- Internal framing is constructed from a heavy-duty stainless steel to endure the day to day use in a busy environment
- Heavy-duty non-marking 75mm swivel castors, two with brakes
- Manual fill and manual empty, value operated waste.

Product Code:

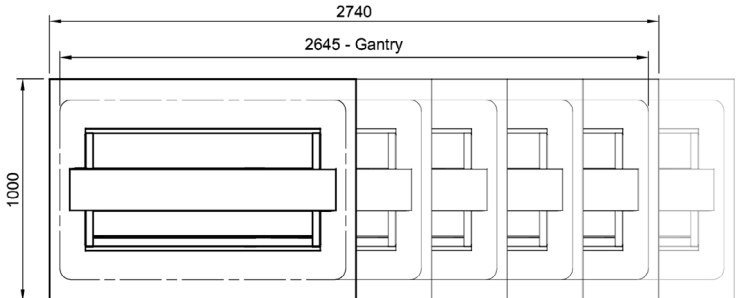
| | |
|------|---|
| CH | Culinaire Heated |
| IBSS | Island Buffet - Stainless Steel Top and Cladding |
| BMC | Bain Marie - Counter Line |
| U | Under Bench |
| GSB | Flat Glass Gantry - Black Painted Centre Section - Adhesive Fix |
| 7 | 7 Modules |

Optional Extras:

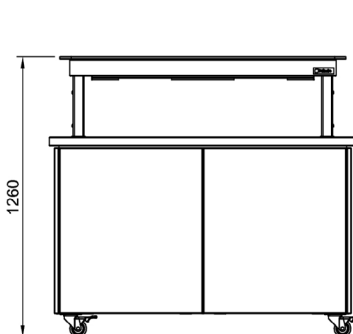
| | |
|---|----------------------|
| Radius Well | |
| Add R to code after the .U | CH.IBSS.BMC.UR.GSB.7 |
| (If required, must be nominated at time of order) | |

Technical Data:

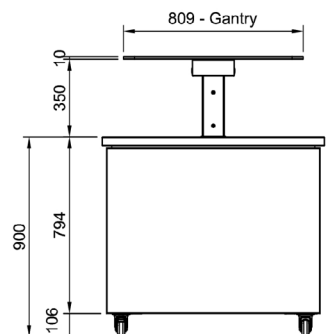
| | |
|------------------------|--------------------|
| Dimensions: W x D x H: | 2740 x 1000 x 1260 |
| Total Connected Load: | 6.75kW |
| Electrical Connection: | 240V 3Ø + N + E |
| Phase 1 Connection: | |
| Phase 2 Connection: | |
| Phase 2 Connection: | |



Plan View



Front Elevation



End Elevation

All Culinaire products are supplied with a 12 month parts and labour warranty as standard.

Due to continuous product research and development, the information contained herein is subject to change without notice.

Revision: September 2, 2020 - A

www.stoddart.com.au

www.stoddart.co.nz



Proudly Manufactured in Australia

