



Electrolux

Modular Cooking Range Line 700XP Closed Base Cupboard 1/4 Module

ITEM # _____

MODEL # _____

NAME # _____

SIS # _____

AIA # _____



Modular Cooking Range Line
700XP Closed Base Cupboard 1/4 Module
371210 (E7BANB00C0) Closed base cupboard, 1/4
module

Short Form Specification

Item No. _____

Closed base to be installed below 700XP top units in island type installations with operations from one side. Constructed in stainless steel with Scotch Brite finish. Delivered with 50 mm height adjustable feet.

Main Features

- Unit can be easily installed below other 700 line top models.
- Unit delivered with 50 mm height adjustable feet in Stainless steel.
- Doors with handles, drawers, heating kits and runners for GN containers can be ordered separately.
- Base compartment for storage of pots, pans, sheet pans, etc.

Construction

- Constructed in Stainless steel with Scotch Brite finish to meet the highest hygiene standards.

Optional Accessories

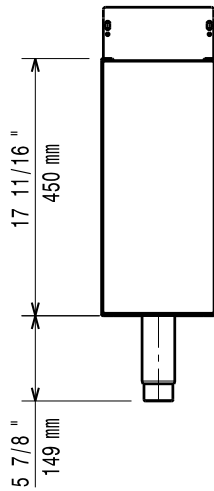
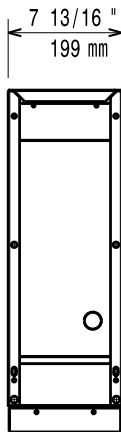
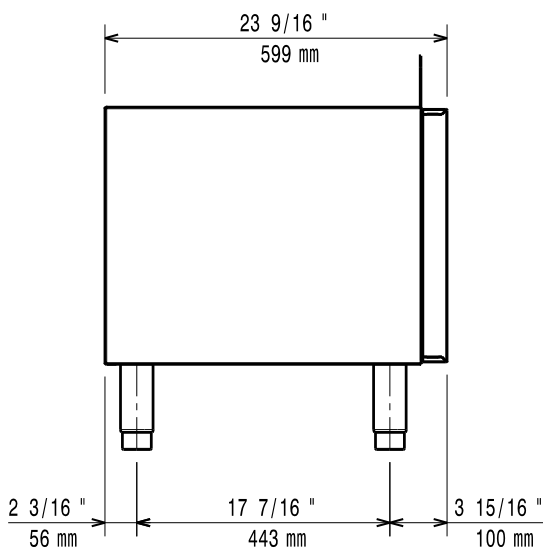
- Flanged feet kit PNC 206136
- Frontal kicking strip for concrete installation, 200mm PNC 206146
- Frontal kicking strip for concrete installation, 400mm PNC 206147
- Frontal kicking strip for concrete installation, 800mm PNC 206148
- Frontal kicking strip for concrete installation, 1000mm PNC 206150
- Frontal kicking strip for concrete installation, 1200mm PNC 206151
- Frontal kicking strip, 200mm (not for refr-freezer base) PNC 206174
- Frontal kicking strip, 400mm (not for refr-freezer base) PNC 206175
- Frontal kicking strip, 800mm (not for refr-freezer base) PNC 206176
- Frontal kicking strip, 1000mm (not for refr-freezer base) PNC 206177
- Frontal kicking strip, 1200mm (not for refr-freezer base) PNC 206178
- 2 panels for service duct for single "top on base" installation PNC 206248
- 2 side covering panels PNC 206319

APPROVAL: _____



Electrolux

Modular Cooking Range Line
700XP Closed Base Cupboard 1/4 Module

Front

Top

EQ = Equipotential screw
Side

Key Information:

External dimensions, Height:	
371210 (E7BANB00C0)	600 mm
External dimensions, Width:	200 mm
External dimensions, Depth:	550 mm
Net weight:	15 lbs (7 kg)