



# Electrolux

## Modular Cooking Range Line 700XP 1/4 Module Ambient Worktop with closed front

ITEM # \_\_\_\_\_

MODEL # \_\_\_\_\_

NAME # \_\_\_\_\_

SIS # \_\_\_\_\_

AIA # \_\_\_\_\_



Modular Cooking Range Line

700XP 1/4 Module Ambient Worktop with closed front

371115 (E7WTNBN000)

Ambient worktop with closed front, 1/4 module

### Short Form Specification

#### Item No.

To be installed on 700XP refrigerated/freezer bases, open base cupboards, bridging supports or cantilever systems. Exterior panels and work top in stainless steel with Scotch Brite finish. One piece pressed work top in 1.5 mm thick stainless steel. Right-angled side edges to allow flush-fitting junction between units.

### Main Features

- Heavy duty internal frame in Stainless steel.
- Unit to be installed on other 700 line bases.
- Right angled side edges eliminate gaps and possible dirt traps between units.

### Construction

- One piece pressed 1.5 mm work top in Stainless steel.
- Stainless steel top provides a heavy duty work surface under any load.

### Optional Accessories

- Kit 4 wheels - 2 swivelling with brake - it is mandatory to install base support and wheels PNC 206135
- Support for bridge type installation, 800mm PNC 206137
- Support for bridge type installation, 1000mm PNC 206138
- Support for bridge type installation, 1200mm PNC 206139
- Support for bridge type installation, 1400mm PNC 206140
- Support for bridge type installation, 1600mm PNC 206141
- Support for bridge type installation, 400mm PNC 206154
- Water column with swivel arm (water column extension not included) PNC 206289
- Water column extension for 700 line PNC 206291
- Chimney upstand, 200mm PNC 206302
- Right and left side handrails PNC 206307
- Base support for feet or wheels - 800mm (700/900) PNC 206367
- Ambient worktop with water column and liter counter, 1/4 module - 700 PNC 206377
- Frontal handrail, 400mm PNC 216046
- Frontal handrail, 800mm PNC 216047
- Frontal handrail, 1200mm PNC 216049
- Frontal handrail, 1600mm PNC 216050
- Large handrail - portioning shelf, 400mm PNC 216185
- Large handrail - portioning shelf, 800mm PNC 216186
- 2 side covering panels for top appliances PNC 216277

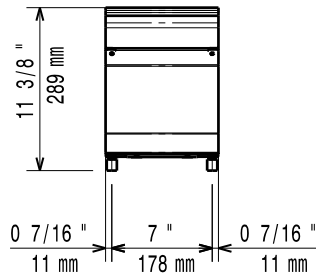
APPROVAL: \_\_\_\_\_



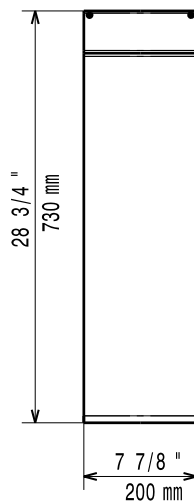
Electrolux

700XP 1/4 Module Ambient Worktop with closed front  
Modular Cooking Range Line

Front

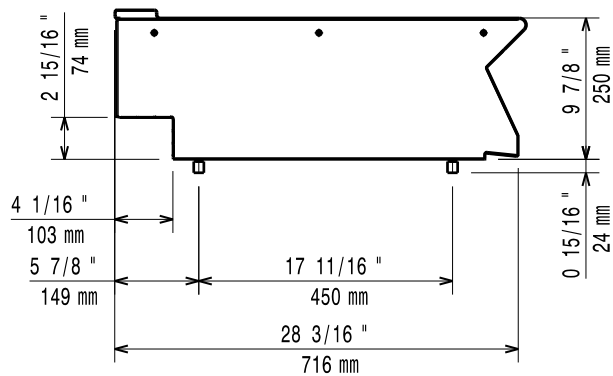


Top



EQ = Equipotential screw

Side



## Key Information:

External dimensions, Height:	
371115 (E7WTNBN000)	250 mm
External dimensions, Width:	200 mm
External dimensions, Depth:	730 mm
Net weight:	6 kg