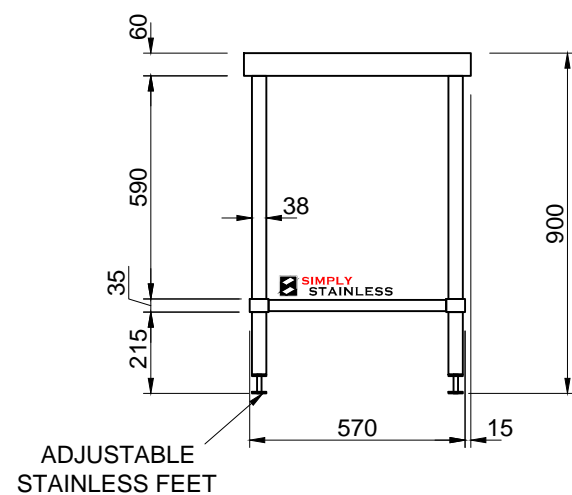
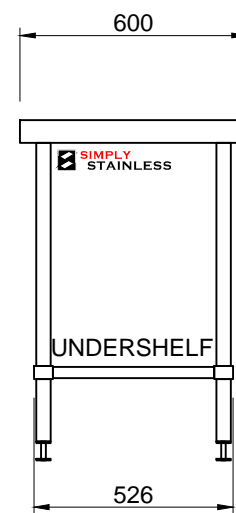


PLAN



FRONT ELEVATION



SIDE ELEVATION

01-6-0600

SIMPLY STAINLESS
 www.simplystainless.com
 Modular Sinks Tables and Shelving

CI GROUP PTY LTD COPYRIGHT ©

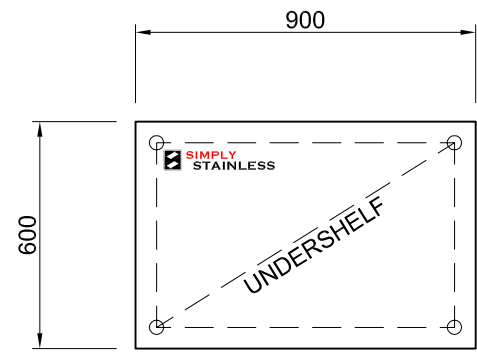
This drawing is the property of CI GROUP PTY LTD trading as Simply Stainless, and it may not be copied, reproduced or modified in whole or in part, without prior written permission of CI GROUP PTY LTD.

01-6-0600 WORK BENCH

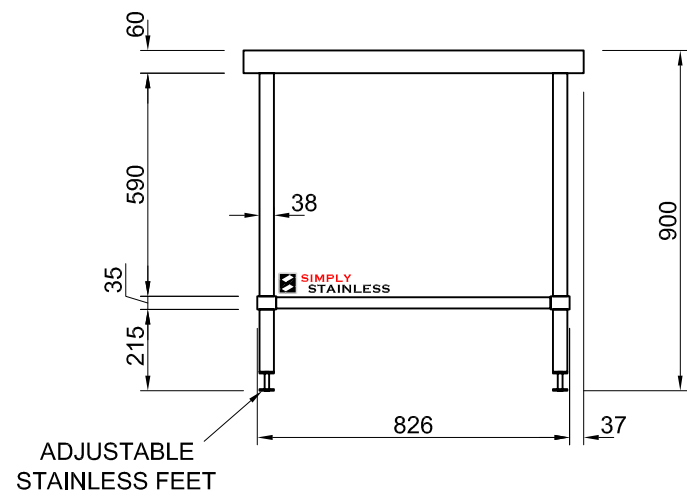
SCALE 1:20

CONSTRUCTION NOTES:

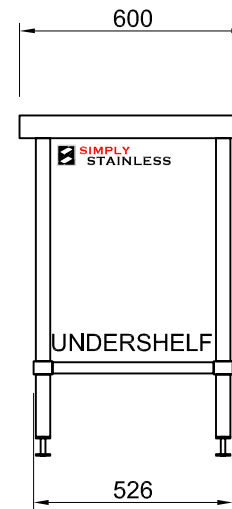
1. TOPS MADE FROM 1.2mm STAINLESS STEEL.
2. CORE MADE FROM 3.0mm ZINC ANNEAL.
3. FRAME MADE FROM Ø38mm STAINLESS STEEL TUBE.
4. UNDERSHELF MADE FROM 1.2mm STAINLESS STEEL WITH STAINLESS STEEL SUPPORTS.
5. FEET ARE ADJUSTABLE STAINLESS STEEL DISC SHAPED FEET.



PLAN




FRONT ELEVATION



SIDE ELEVATION

01-6-0900



www.simplystainless.com
Modular Sinks Tables and Shelving

CI GROUP PTY LTD COPYRIGHT ©

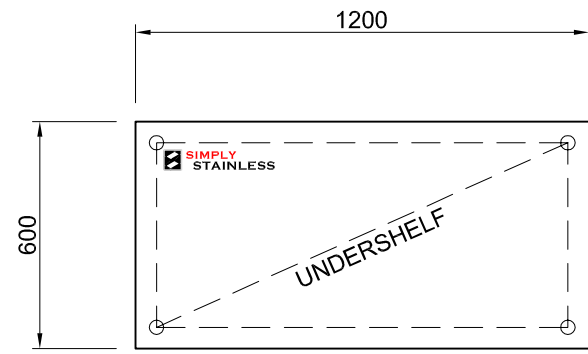
This drawing is the property of CI GROUP PTY LTD trading as Simply Stainless, and it may not be copied, reproduced or modified in whole or in part, without prior written permission of CI GROUP PTY LTD.

01-6-0900 WORK BENCH

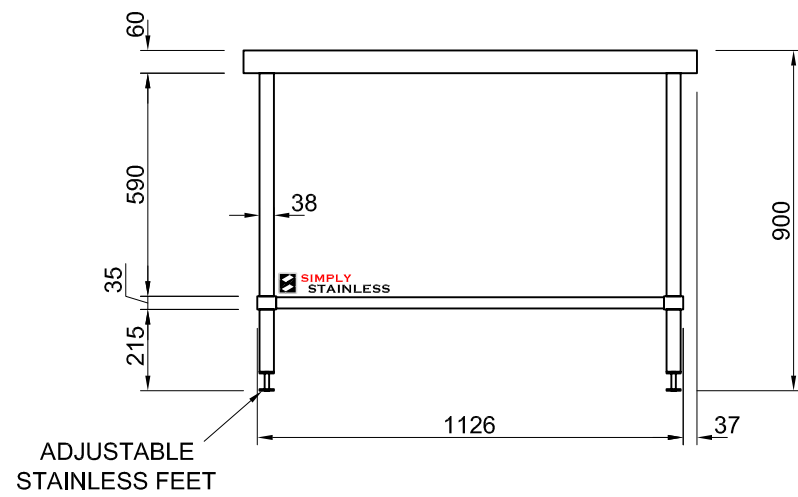
SCALE 1:20

CONSTRUCTION NOTES:

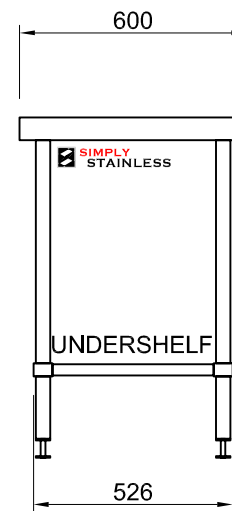
1. TOPS MADE FROM 1.2mm STAINLESS STEEL.
2. CORE MADE FROM 3.0mm ZINC ANNEAL.
3. FRAME MADE FROM Ø38mm STAINLESS STEEL TUBE.
4. UNDERSHELF MADE FROM 1.2mm STAINLESS STEEL.
5. FEET ARE ADJUSTABLE STAINLESS STEEL DISC SHAPED FEET.



PLAN




FRONT ELEVATION



SIDE ELEVATION

01-6-1200



www.simplystainless.com
Modular Sinks Tables and Shelving

CI GROUP PTY LTD COPYRIGHT ©

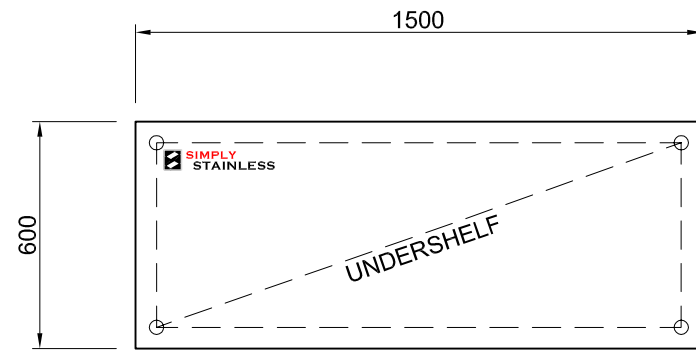
This drawing is the property of CI GROUP PTY LTD trading as Simply Stainless, and it may not be copied, reproduced or modified in whole or in part, without prior written permission of CI GROUP PTY LTD.

01-6-1200 WORK BENCH

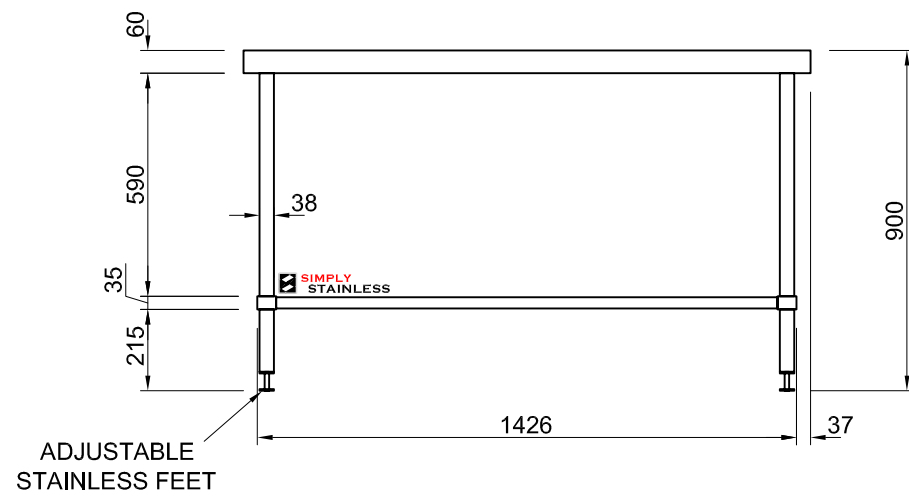
SCALE 1:20

CONSTRUCTION NOTES:

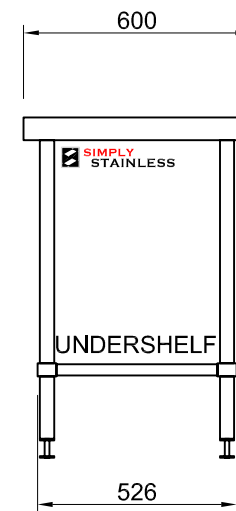
1. TOPS MADE FROM 1.2mm STAINLESS STEEL.
2. CORE MADE FROM 3.0mm ZINC ANNEAL.
3. FRAME MADE FROM Ø38mm STAINLESS STEEL TUBE.
4. UNDERSHELF MADE FROM 1.2mm STAINLESS STEEL.
5. FEET ARE ADJUSTABLE STAINLESS STEEL DISC SHAPED FEET.



PLAN




FRONT ELEVATION



SIDE ELEVATION

01-6-1500



www.simplystainless.com
Modular Sinks Tables and Shelving

CI GROUP PTY LTD COPYRIGHT ©

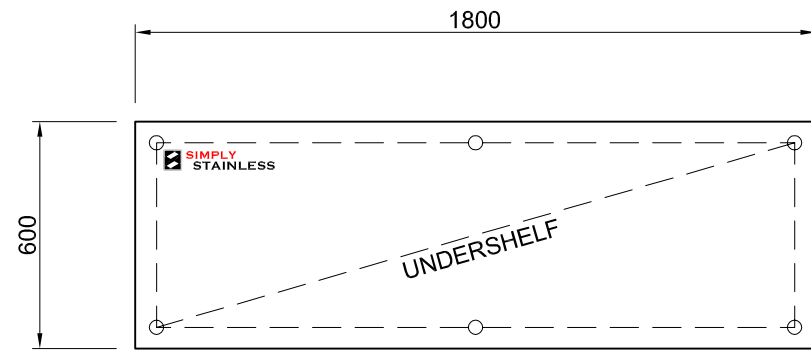
This drawing is the property of CI GROUP PTY LTD trading as Simply Stainless, and it may not be copied, reproduced or modified in whole or in part, without prior written permission of CI GROUP PTY LTD.

01-6-1500 WORK BENCH

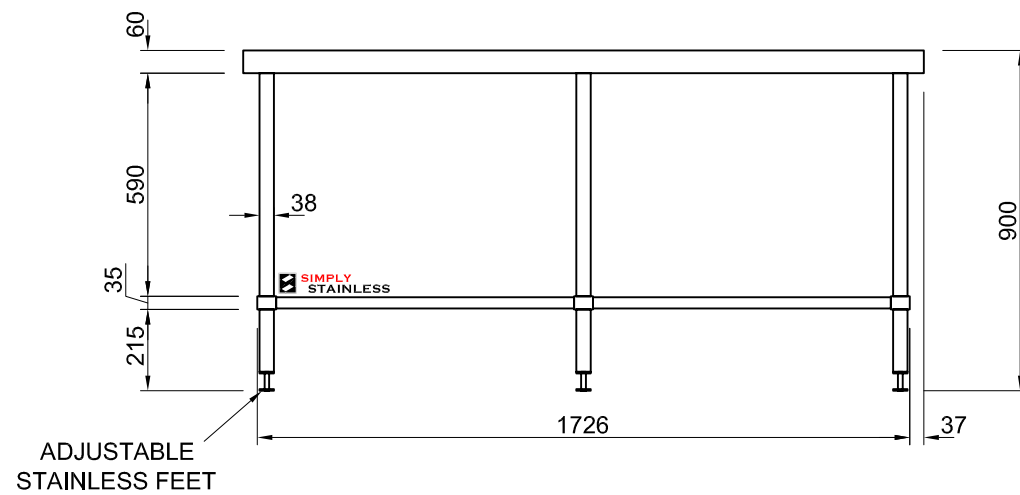
SCALE 1:20

CONSTRUCTION NOTES:

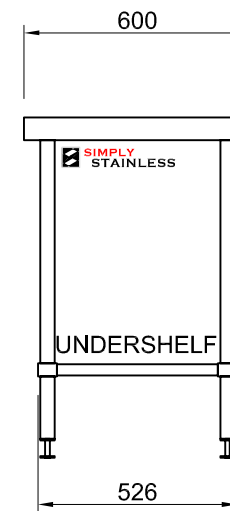
1. TOPS MADE FROM 1.2mm STAINLESS STEEL.
2. CORE MADE FROM 3.0mm ZINC ANNEAL.
3. FRAME MADE FROM Ø38mm STAINLESS STEEL TUBE.
4. UNDERSHELF MADE FROM 1.2mm STAINLESS STEEL.
5. FEET ARE ADJUSTABLE STAINLESS STEEL DISC SHAPED FEET.



PLAN




FRONT ELEVATION



SIDE ELEVATION

01-6-1800



www.simplystainless.com
Modular Sinks Tables and Shelving

CI GROUP PTY LTD COPYRIGHT ©

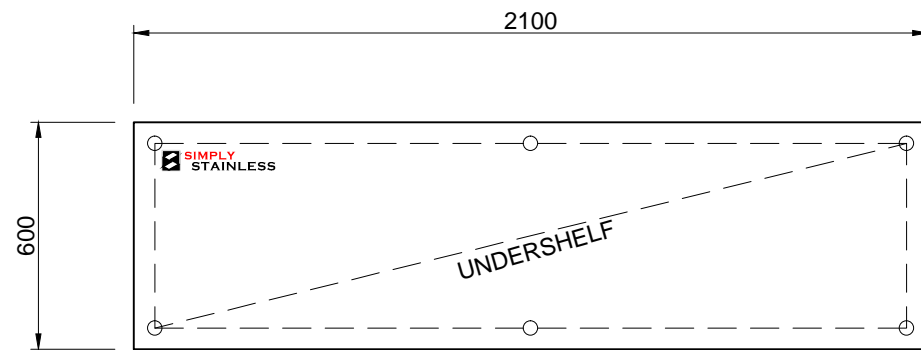
This drawing is the property of CI GROUP PTY LTD trading as Simply Stainless, and it may not be copied, reproduced or modified in whole or in part, without prior written permission of CI GROUP PTY LTD.

01-6-1800 WORK BENCH

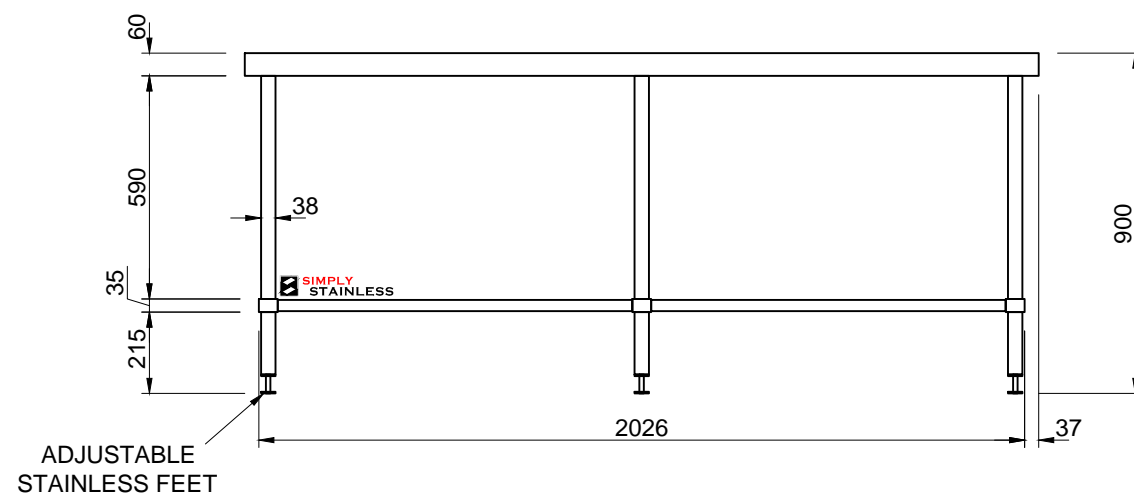
SCALE 1:20

CONSTRUCTION NOTES:

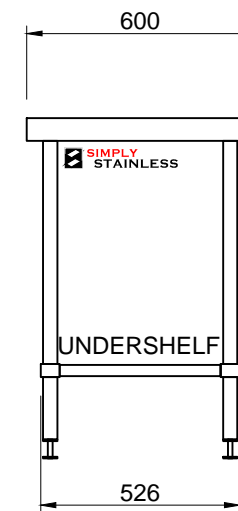
1. TOPS MADE FROM 1.2mm STAINLESS STEEL.
2. CORE MADE FROM 3.0mm ZINC ANNEAL.
3. FRAME MADE FROM Ø38mm STAINLESS STEEL TUBE.
4. UNDERSHELF MADE FROM 1.2mm STAINLESS STEEL.
5. FEET ARE ADJUSTABLE STAINLESS STEEL DISC SHAPED FEET.



PLAN



FRONT ELEVATION



SIDE ELEVATION

ADJUSTABLE STAINLESS FEET

01-6-2100

SIMPLY STAINLESS
 www.simplystainless.com
 Modular Sinks Tables and Shelving

CI GROUP PTY LTD COPYRIGHT ©

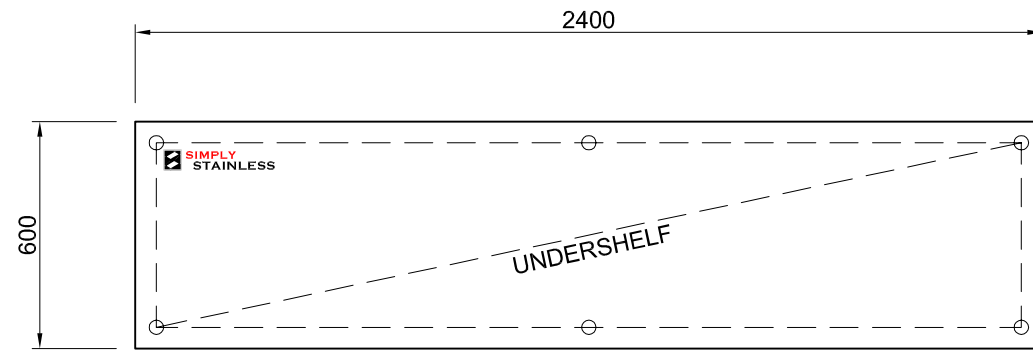
This drawing is the property of CI GROUP PTY LTD trading as Simply Stainless, and it may not be copied, reproduced or modified in whole or in part, without prior written permission of CI GROUP PTY LTD.

01-6-2100 WORK BENCH

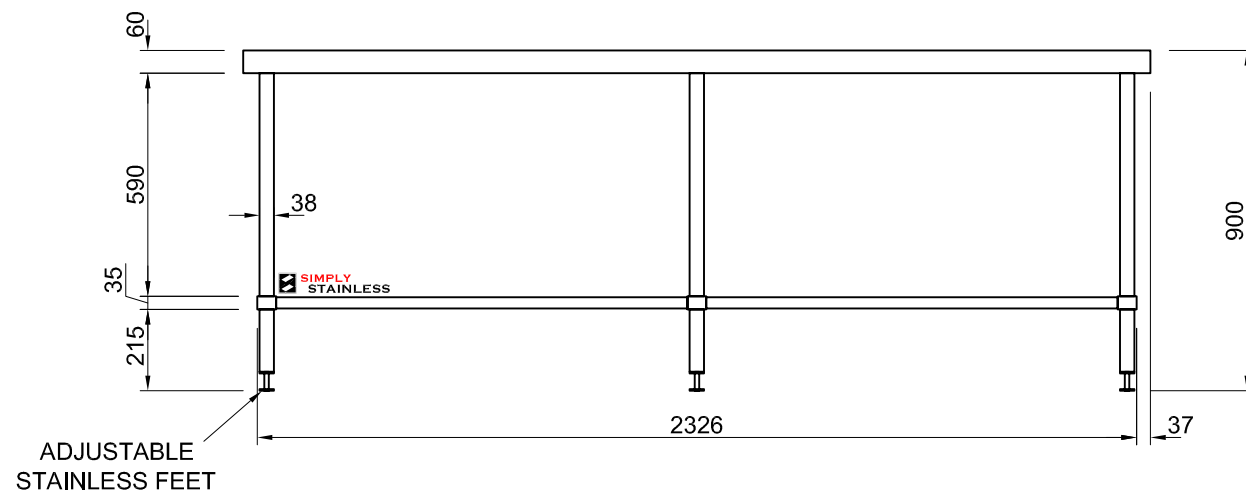
SCALE 1:20

CONSTRUCTION NOTES:

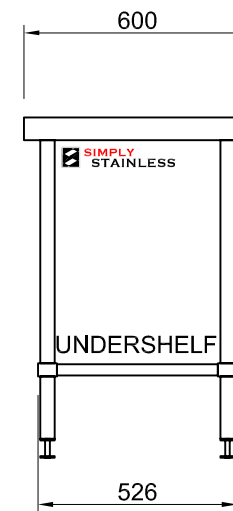
1. TOPS MADE FROM 1.2mm STAINLESS STEEL.
2. CORE MADE FROM 3.0mm ZINC ANNEAL.
3. FRAME MADE FROM Ø38mm STAINLESS STEEL TUBE.
4. UNDERSHELF MADE FROM 1.2mm STAINLESS STEEL WITH STAINLESS STEEL SUPPORTS.
5. FEET ARE ADJUSTABLE STAINLESS STEEL DISC SHAPED FEET.



PLAN




FRONT ELEVATION



SIDE ELEVATION

01-6-2400



www.simplystainless.com
Modular Sinks Tables and Shelving

CI GROUP PTY LTD COPYRIGHT ©

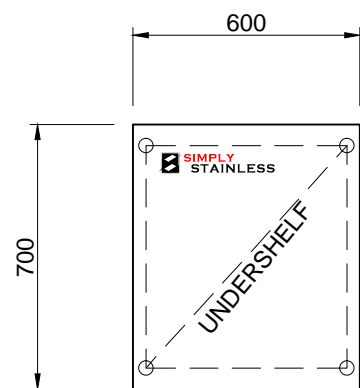
This drawing is the property of CI GROUP PTY LTD trading as Simply Stainless, and it may not be copied, reproduced or modified in whole or in part, without prior written permission of CI GROUP PTY LTD.

01-6-2400 WORK BENCH

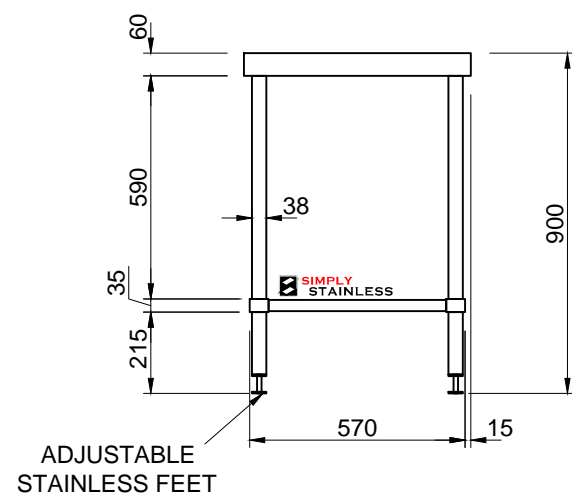
SCALE 1:20

CONSTRUCTION NOTES:

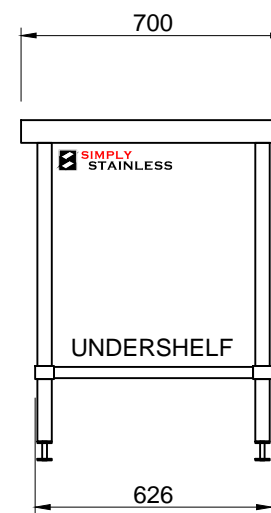
1. TOPS MADE FROM 1.2mm STAINLESS STEEL.
2. CORE MADE FROM 3.0mm ZINC ANNEAL.
3. FRAME MADE FROM Ø38mm STAINLESS STEEL TUBE.
4. UNDERSHELF MADE FROM 1.2mm STAINLESS STEEL.
5. FEET ARE ADJUSTABLE STAINLESS STEEL DISC SHAPED FEET.



PLAN




FRONT ELEVATION



SIDE ELEVATION

01-7-0600



www.simplystainless.com
Modular Sinks Tables and Shelving

CI GROUP PTY LTD COPYRIGHT ©

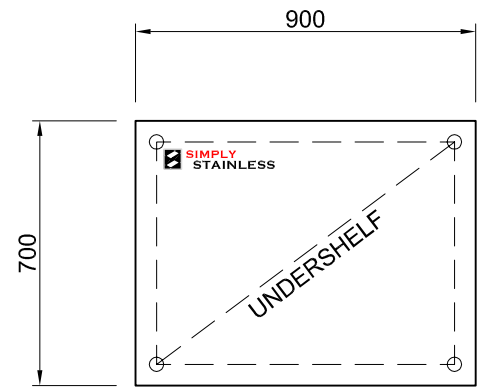
This drawing is the property of CI GROUP PTY LTD trading as Simply Stainless, and it may not be copied, reproduced or modified in whole or in part, without prior written permission of CI GROUP PTY LTD.

01-7-0600 WORK BENCH

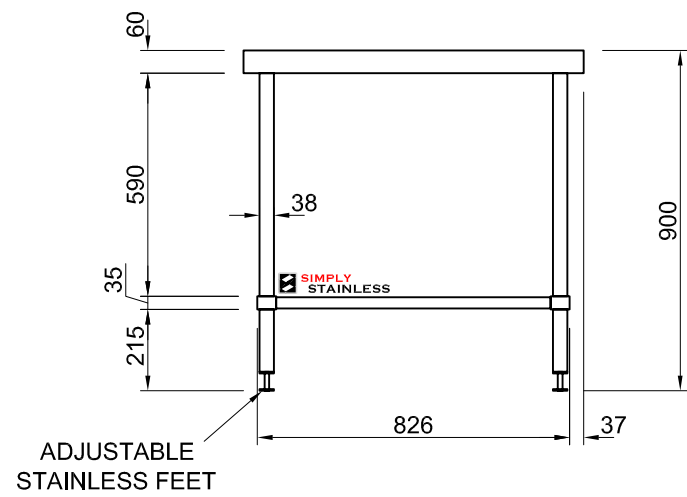
SCALE 1:20

CONSTRUCTION NOTES:

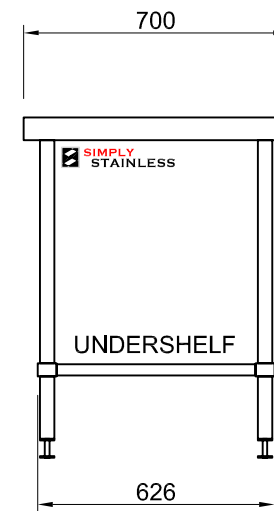
1. TOPS MADE FROM 1.2mm STAINLESS STEEL.
2. CORE MADE FROM 3.0mm ZINC ANNEAL.
3. FRAME MADE FROM Ø38mm STAINLESS STEEL TUBE.
4. UNDERSHELF MADE FROM 1.2mm STAINLESS STEEL WITH STAINLESS STEEL SUPPORTS.
5. FEET ARE ADJUSTABLE STAINLESS STEEL DISC SHAPED FEET.



PLAN




FRONT ELEVATION



SIDE ELEVATION

01-7-0900



www.simplystainless.com
Modular Sinks Tables and Shelving

CI GROUP PTY LTD COPYRIGHT ©

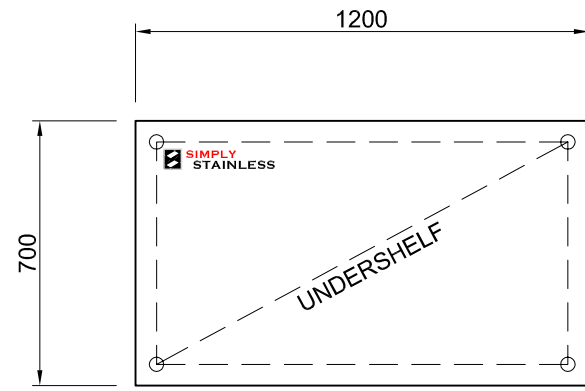
This drawing is the property of CI GROUP PTY LTD trading as Simply Stainless, and it may not be copied, reproduced or modified in whole or in part, without prior written permission of CI GROUP PTY LTD.

01-7-0900 WORK BENCH

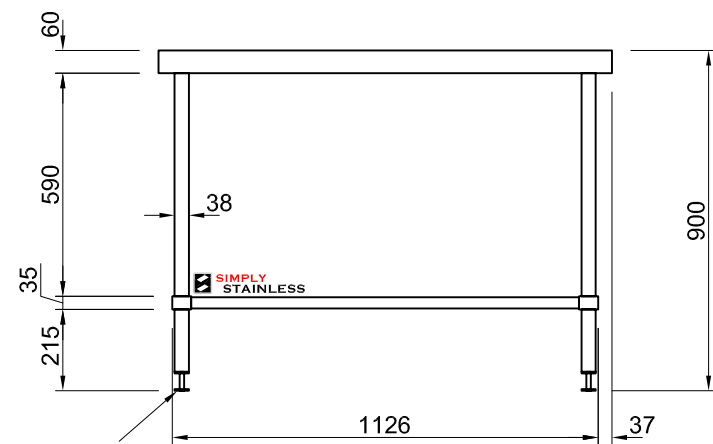
SCALE 1:20

CONSTRUCTION NOTES:

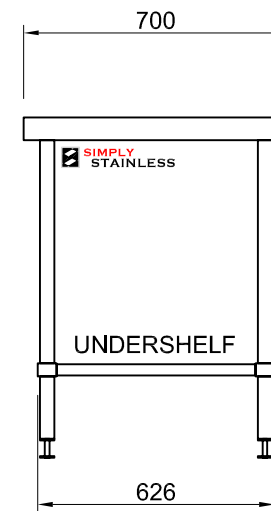
1. TOPS MADE FROM 1.2mm STAINLESS STEEL.
2. CORE MADE FROM 3.0mm ZINC ANNEAL.
3. FRAME MADE FROM Ø38mm STAINLESS STEEL TUBE.
4. UNDERSHELF MADE FROM 1.2mm STAINLESS STEEL.
5. FEET ARE ADJUSTABLE STAINLESS STEEL DISC SHAPED FEET.



PLAN




FRONT ELEVATION



SIDE ELEVATION

01-7-1200



www.simplystainless.com
Modular Sinks Tables and Shelving

CI GROUP PTY LTD COPYRIGHT ©

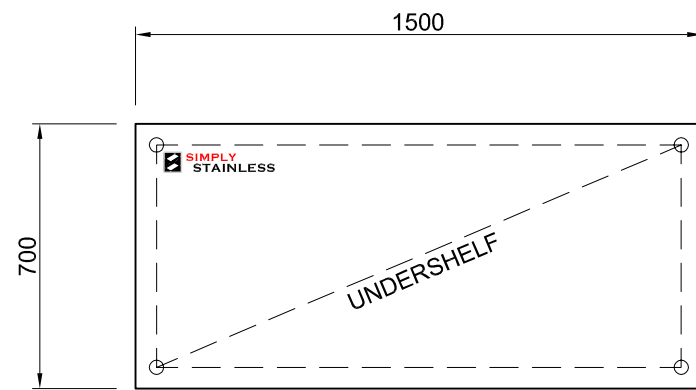
This drawing is the property of CI GROUP PTY LTD trading as Simply Stainless, and it may not be copied, reproduced or modified in whole or in part, without prior written permission of CI GROUP PTY LTD.

01-7-1200 WORK BENCH

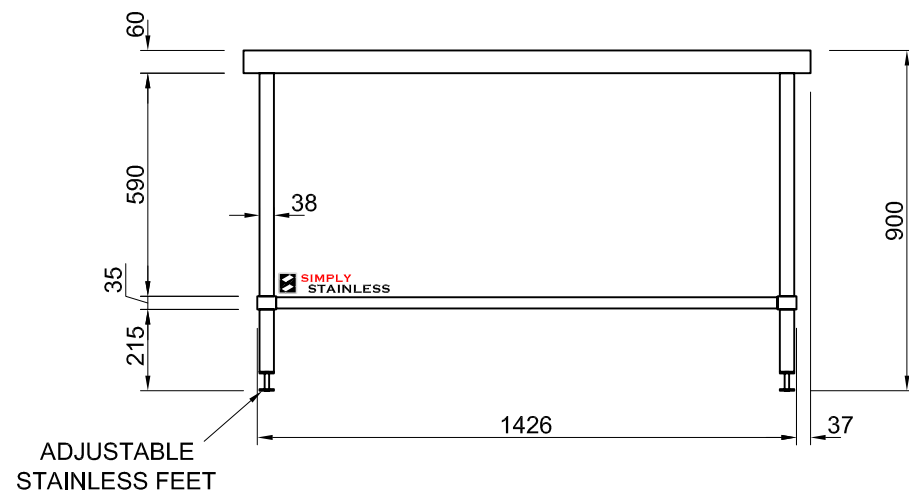
SCALE 1:20

CONSTRUCTION NOTES:

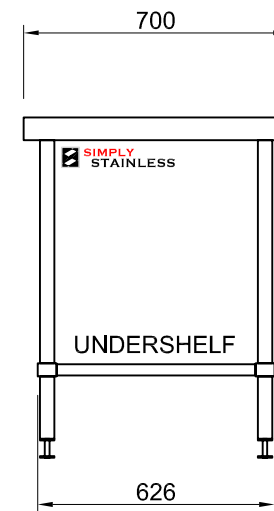
1. TOPS MADE FROM 1.2mm STAINLESS STEEL.
2. CORE MADE FROM 3.0mm ZINC ANNEAL.
3. FRAME MADE FROM Ø38mm STAINLESS STEEL TUBE.
4. UNDERSHELF MADE FROM 1.2mm STAINLESS STEEL.
5. FEET ARE ADJUSTABLE STAINLESS STEEL DISC SHAPED FEET.



PLAN




FRONT ELEVATION



SIDE ELEVATION

01-7-1500



www.simplystainless.com
Modular Sinks Tables and Shelving

CI GROUP PTY LTD COPYRIGHT ©

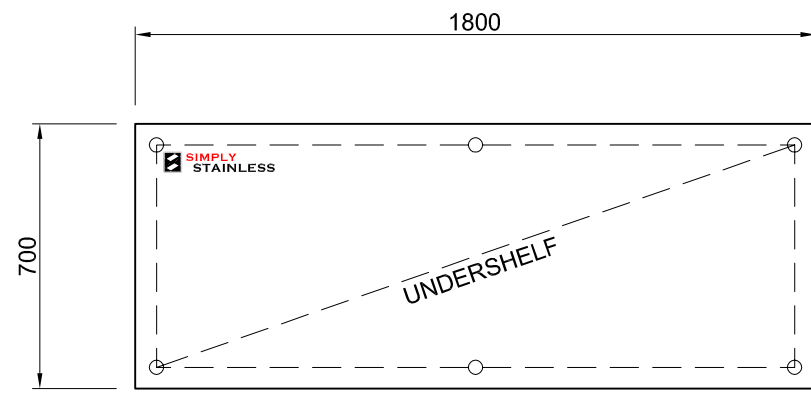
This drawing is the property of CI GROUP PTY LTD trading as Simply Stainless, and it may not be copied, reproduced or modified in whole or in part, without prior written permission of CI GROUP PTY LTD.

01-7-1500 WORK BENCH

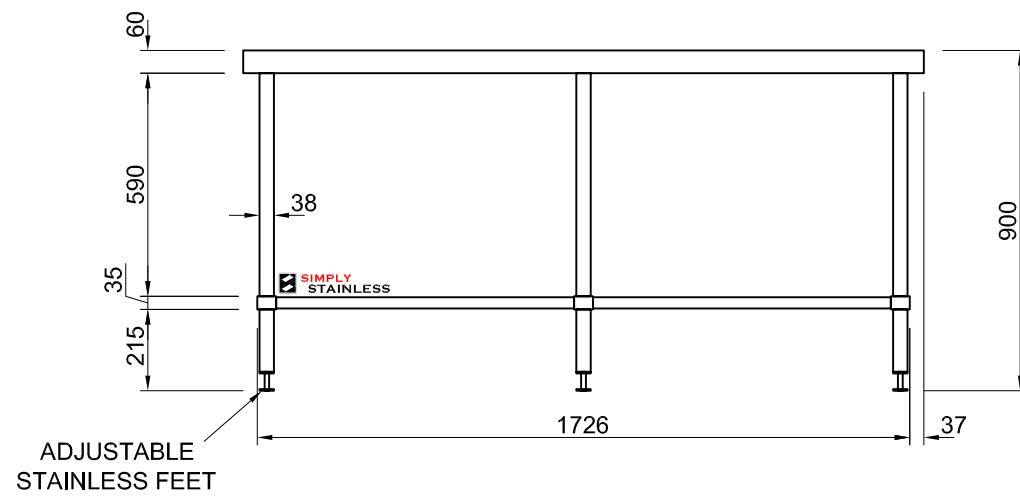
SCALE 1:20

CONSTRUCTION NOTES:

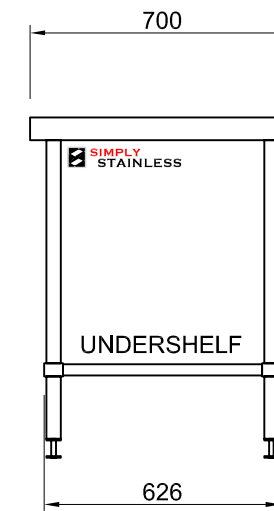
1. TOPS MADE FROM 1.2mm STAINLESS STEEL.
2. CORE MADE FROM 3.0mm ZINC ANNEAL.
3. FRAME MADE FROM Ø38mm STAINLESS STEEL TUBE.
4. UNDERSHELF MADE FROM 1.2mm STAINLESS STEEL.
5. FEET ARE ADJUSTABLE STAINLESS STEEL DISC SHAPED FEET.



PLAN




FRONT ELEVATION



SIDE ELEVATION

01-7-1800



www.simplystainless.com
Modular Sinks Tables and Shelving

CI GROUP PTY LTD COPYRIGHT ©

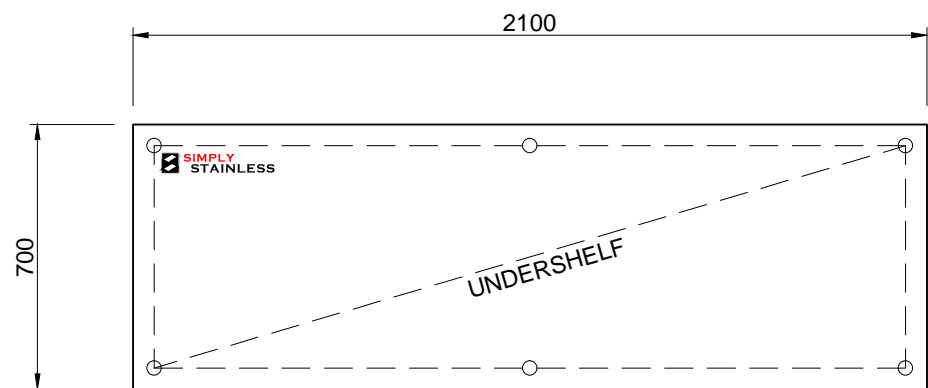
This drawing is the property of CI GROUP PTY LTD trading as Simply Stainless, and it may not be copied, reproduced or modified in whole or in part, without prior written permission of CI GROUP PTY LTD.

01-7-1800 WORK BENCH

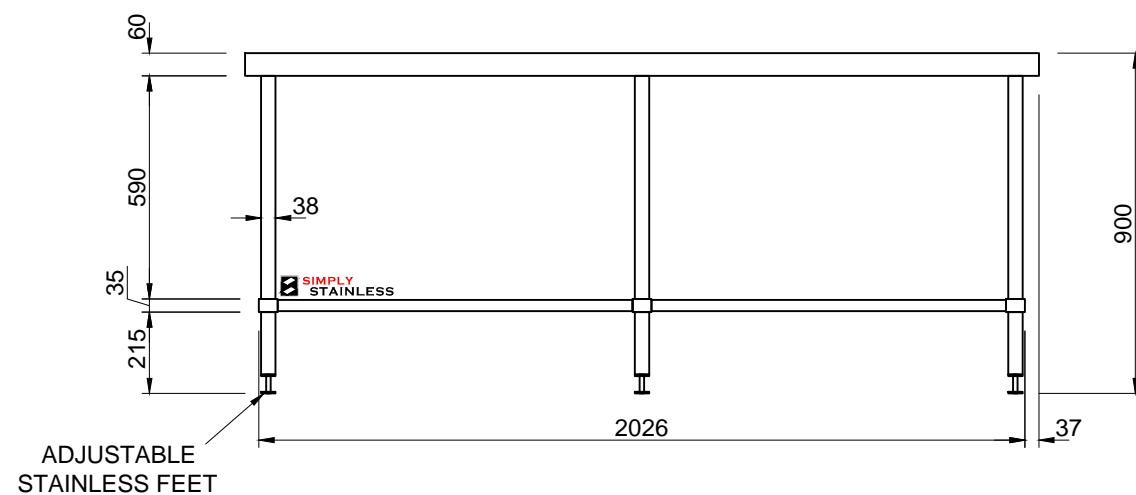
SCALE 1:20

CONSTRUCTION NOTES:

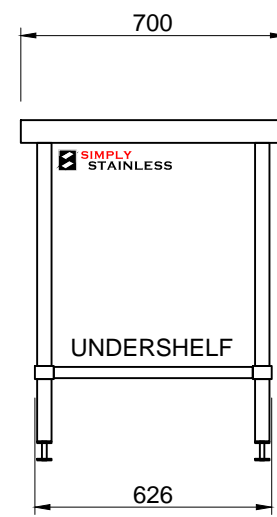
1. TOPS MADE FROM 1.2mm STAINLESS STEEL.
2. CORE MADE FROM 3.0mm ZINC ANNEAL.
3. FRAME MADE FROM Ø38mm STAINLESS STEEL TUBE.
4. UNDERSHELF MADE FROM 1.2mm STAINLESS STEEL.
5. FEET ARE ADJUSTABLE STAINLESS STEEL DISC SHAPED FEET.



PLAN




FRONT ELEVATION



SIDE ELEVATION

01-7-2100



www.simplystainless.com
Modular Sinks Tables and Shelving

CI GROUP PTY LTD COPYRIGHT ©

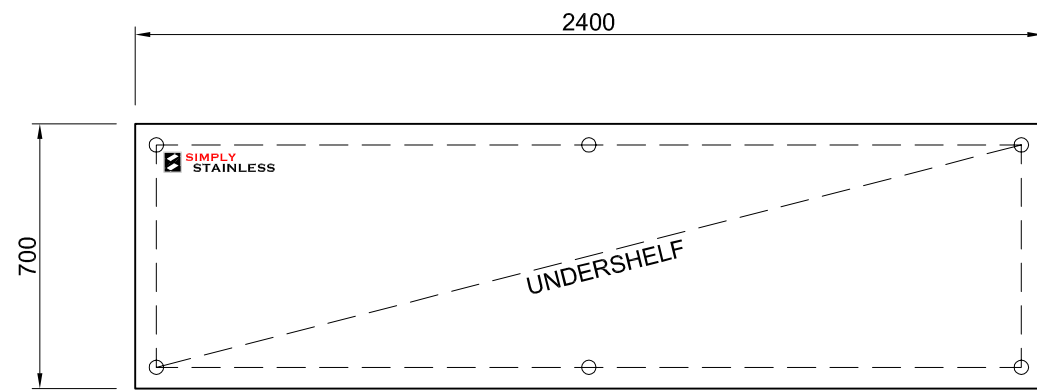
This drawing is the property of CI GROUP PTY LTD trading as Simply Stainless, and it may not be copied, reproduced or modified in whole or in part, without prior written permission of CI GROUP PTY LTD.

01-7-2100 WORK BENCH

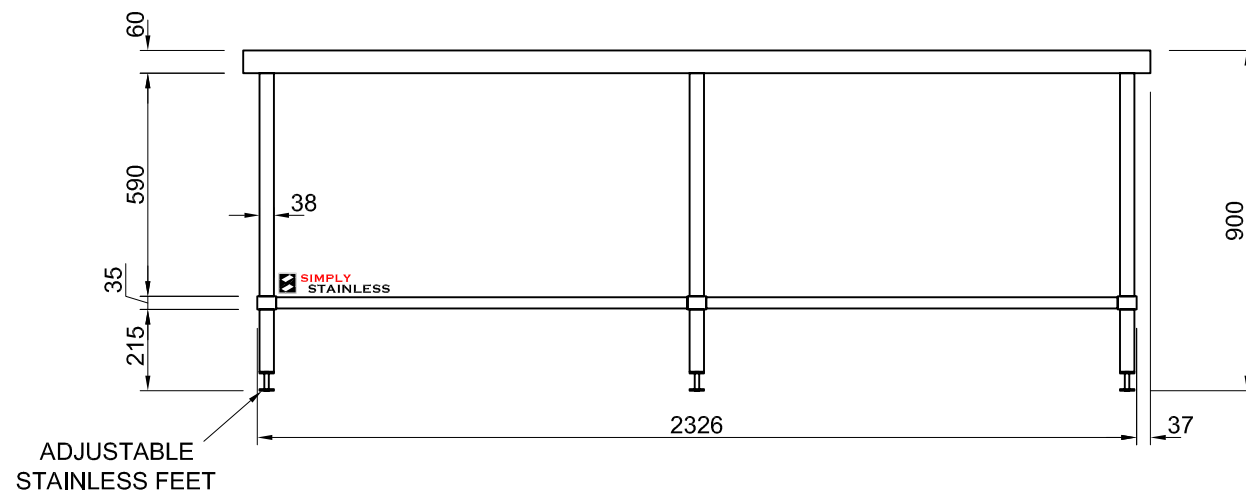
SCALE 1:20

CONSTRUCTION NOTES:

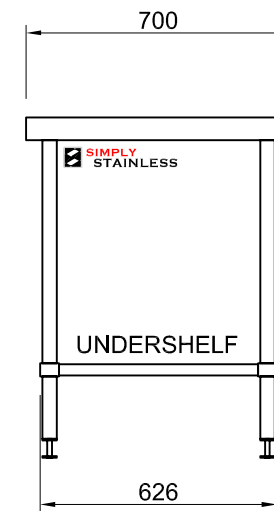
1. TOPS MADE FROM 1.2mm STAINLESS STEEL.
2. CORE MADE FROM 3.0mm ZINC ANNEAL.
3. FRAME MADE FROM Ø38mm STAINLESS STEEL TUBE.
4. UNDERSHELF MADE FROM 1.2mm STAINLESS STEEL WITH STAINLESS STEEL SUPPORTS.
5. FEET ARE ADJUSTABLE STAINLESS STEEL DISC SHAPED FEET.



PLAN




FRONT ELEVATION



SIDE ELEVATION

01-7-2400



SIMPLY STAINLESS
www.simplystainless.com
Modular Sinks Tables and Shelving

CI GROUP PTY LTD COPYRIGHT ©

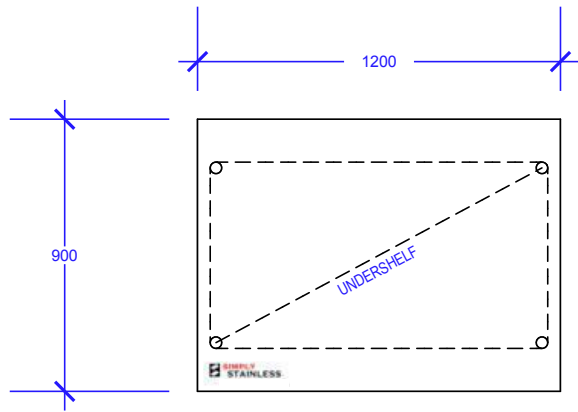
This drawing is the property of CI GROUP PTY LTD trading as Simply Stainless, and it may not be copied, reproduced or modified in whole or in part, without prior written permission of CI GROUP PTY LTD.

01-7-2400 WORK BENCH

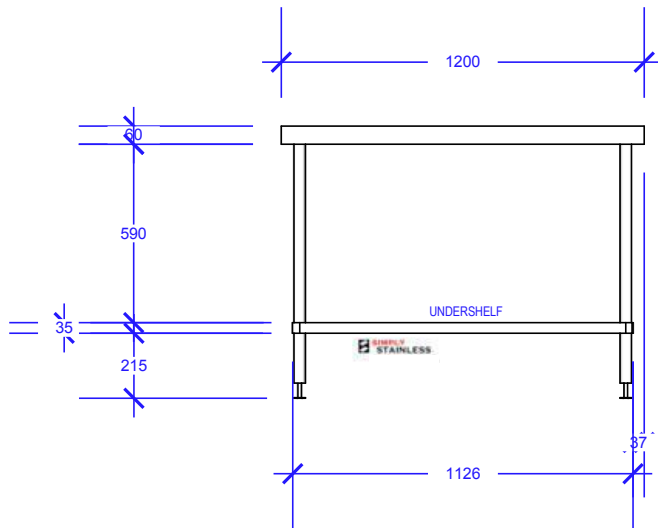
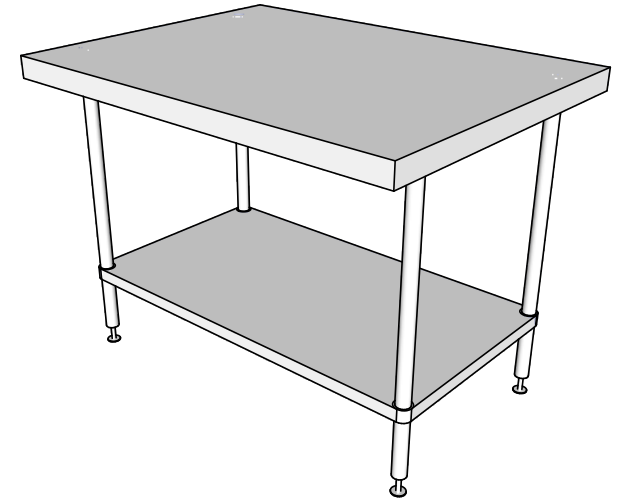
SCALE 1:20

CONSTRUCTION NOTES:

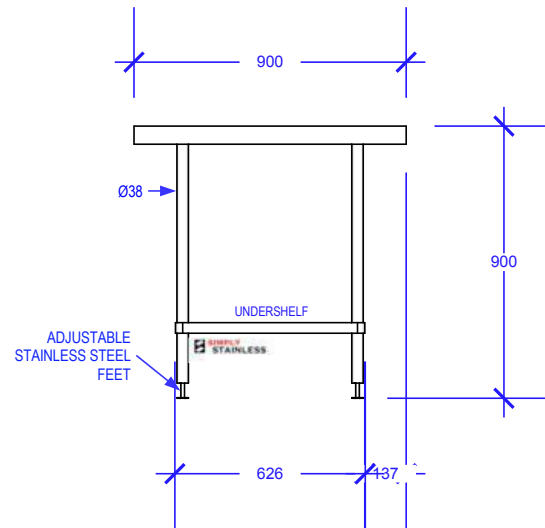
1. TOPS MADE FROM 1.2mm STAINLESS STEEL.
2. CORE MADE FROM 3.0mm ZINC ANNEAL.
3. FRAME MADE FROM Ø38mm STAINLESS STEEL TUBE.
4. UNDERSHELF MADE FROM 1.2mm STAINLESS STEEL.
5. FEET ARE ADJUSTABLE STAINLESS STEEL DISC SHAPED FEET.



PLAN



FRONT VIEW



SIDE VIEW

01-9-1200

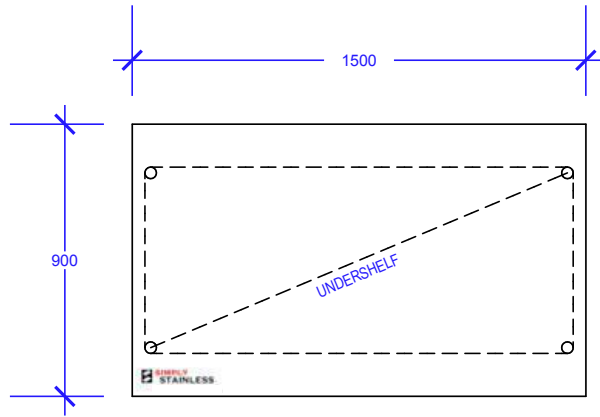
SIMPLY STAINLESS
 www.simplystainless.com
 Modular Sinks Tables and Shelving
 COPYRIGHT © 2014
 This drawing is the property of CI GROUP PTY LTD. Tradings as SIMPLY STAINLESS and It may not be copied, reproduced or modified in whole or in part without prior written permission of CI GROUP PTY LTD. SIMPLY STAINLESS reserves the right to change specification and design without notice.

**SS01-9-1200
 WORK BENCH**

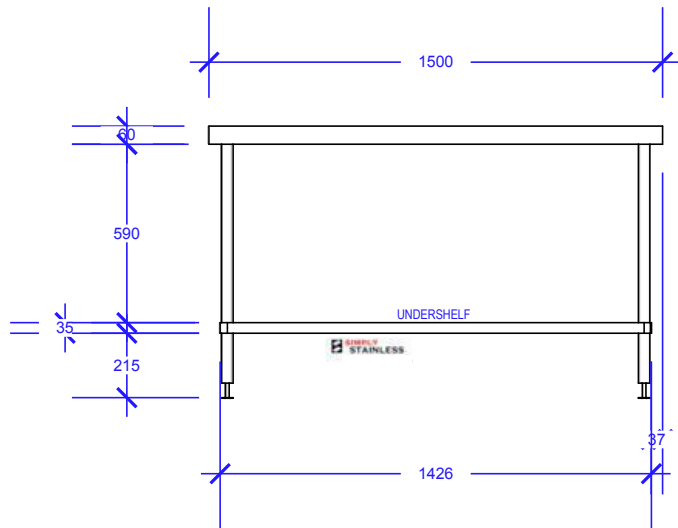
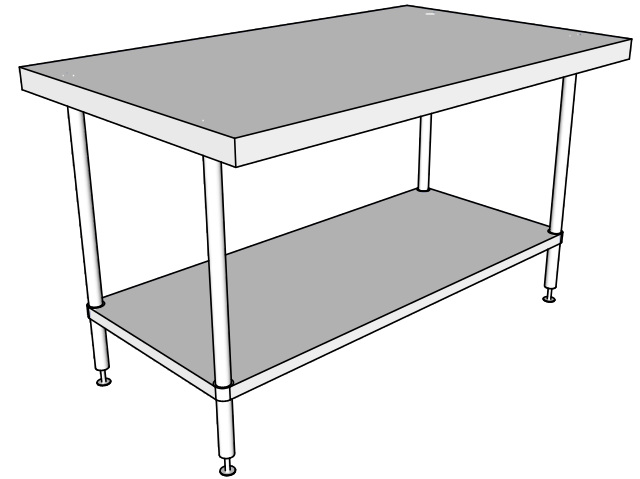
SCALE: 1:25

CONSTRUCTION NOTES :

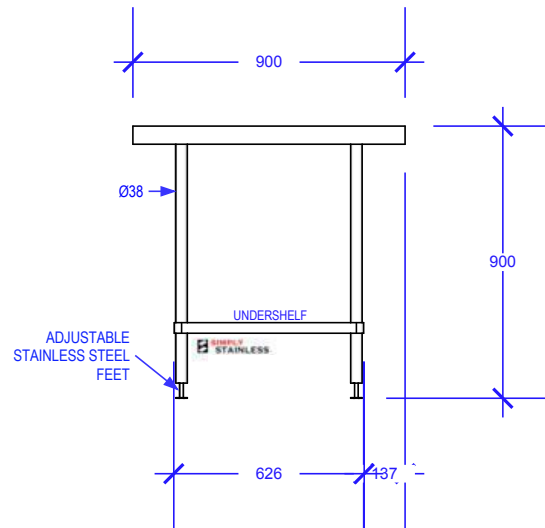
1. TOPS MADE FROM 1.2mm STAINLESS STEEL.
2. CORE MADE FROM 3.0mm ZINC ANNEAL.
3. FRAME MADE FROM Ø38mm STAINLESS STEEL TUBE.
4. UNDERSHELF MADE FROM 1.2mm STAINLESS STEEL.
5. FEET ARE ADJUSTABLE STAINLESS STEEL DISC SHAPED FEET.



PLAN



FRONT VIEW



SIDE VIEW

SIMPLY STAINLESS
 www.simplystainless.com
 Modular Sinks Tables and Shelving
 COPYRIGHT © 2014
 This drawing is the property of CI GROUP PTY LTD. Tradings as SIMPLY STAINLESS and It may not be copied, reproduced or modified in whole or in part without prior written permission of CI GROUP PTY LTD. SIMPLY STAINLESS reserves the right to change specification and design without notice.

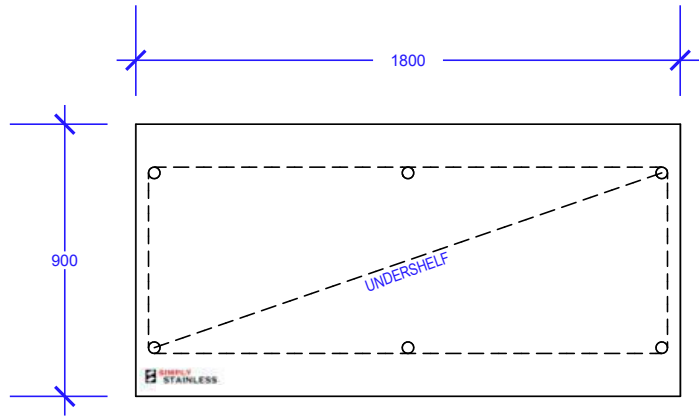
**SS01-9-1500
 WORK BENCH**

SCALE: 1:25

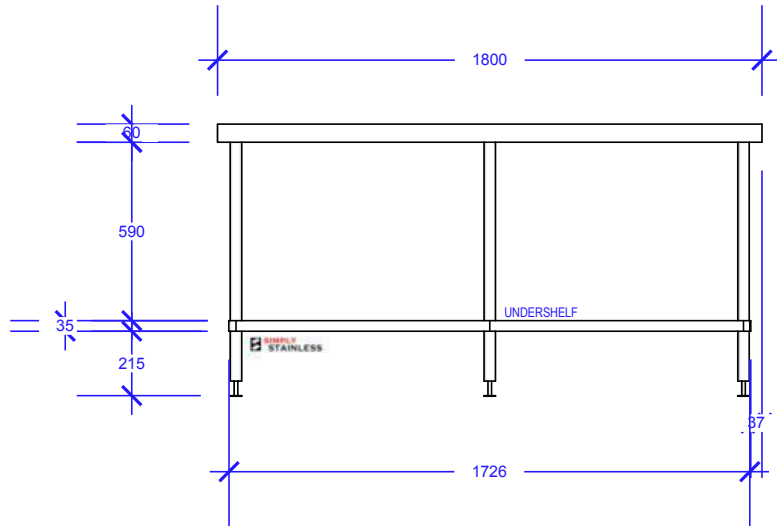
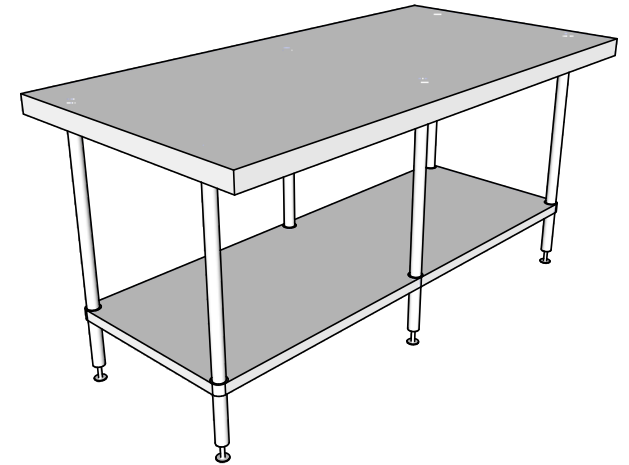
CONSTRUCTION NOTES :

1. TOPS MADE FROM 1.2mm STAINLESS STEEL.
2. CORE MADE FROM 3.0mm ZINC ANNEAL.
3. FRAME MADE FROM Ø38mm STAINLESS STEEL TUBE.
4. UNDERSHELF MADE FROM 1.2mm STAINLESS STEEL.
5. FEET ARE ADJUSTABLE STAINLESS STEEL DISC SHAPED FEET.

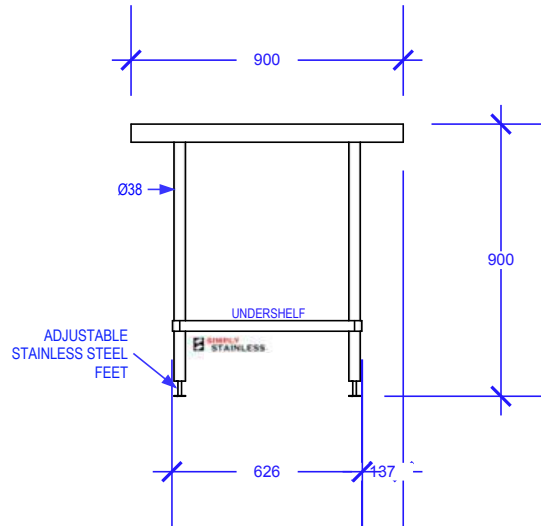
01-9-1500



PLAN



FRONT VIEW



SIDE VIEW

SIMPLY STAINLESS
 www.simplystainless.com
 Modular Sinks Tables and Shelving
 COPYRIGHT © 2014
 This drawing is the property of CI GROUP PTY LTD. Tradings as SIMPLY STAINLESS and It may not be copied, reproduced or modified in whole or in part without prior written permission of CI GROUP PTY LTD. SIMPLY STAINLESS reserves the right to change specification and design without notice.

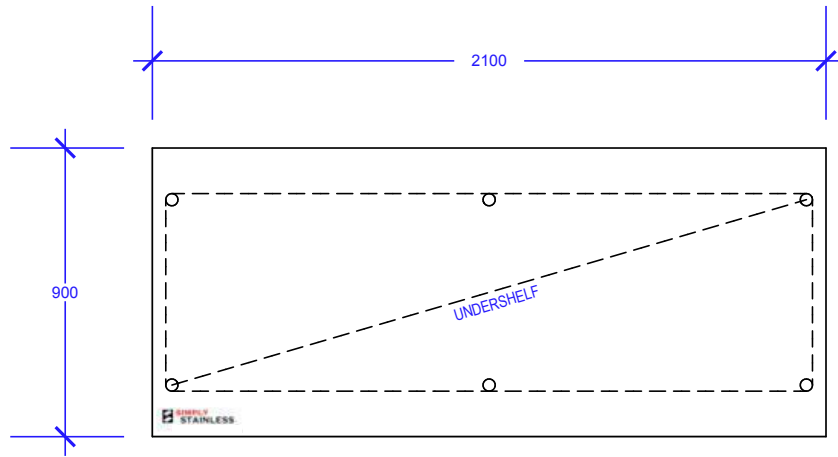
SS01-9-1800
WORK BENCH

SCALE: 1:25

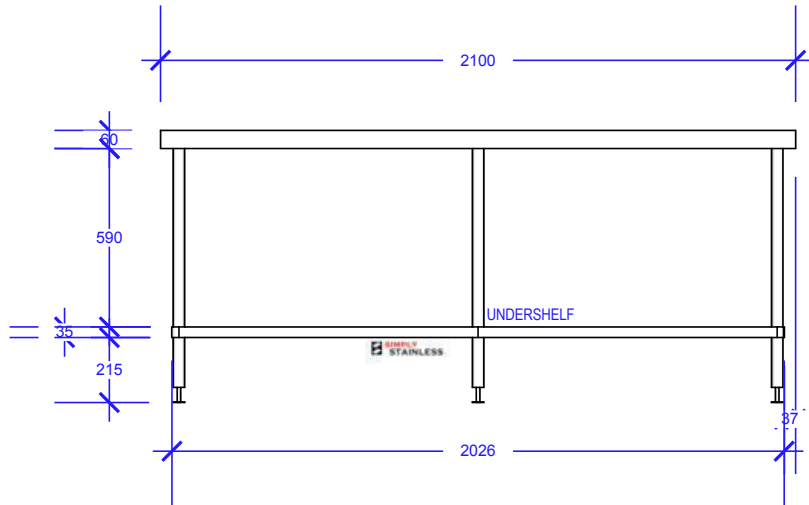
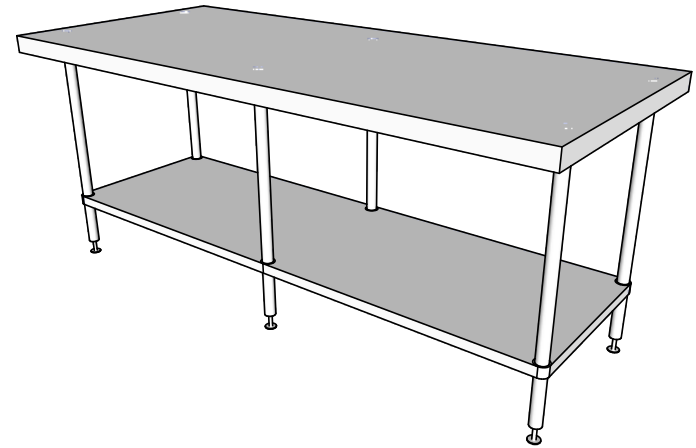
CONSTRUCTION NOTES :

1. TOPS MADE FROM 1.2mm STAINLESS STEEL.
2. CORE MADE FROM 3.0mm ZINC ANNEAL.
3. FRAME MADE FROM Ø38mm STAINLESS STEEL TUBE.
4. UNDERSHELF MADE FROM 1.2mm STAINLESS STEEL.
5. FEET ARE ADJUSTABLE STAINLESS STEEL DISC SHAPED FEET.

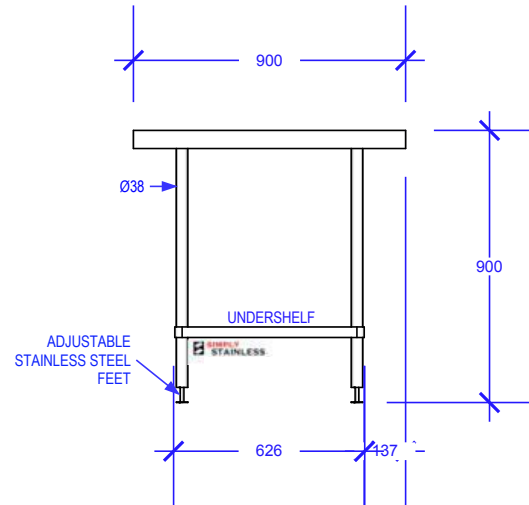
01-9-1800



PLAN



FRONT VIEW



SIDE VIEW

SIMPLY STAINLESS
 www.simplystainless.com
 Modular Sinks Tables and Shelving
 COPYRIGHT © 2014
 This drawing is the property of CI GROUP PTY LTD. Tradings as SIMPLY STAINLESS and It may not be copied, reproduced or modified in whole or in part without prior written permission of CI GROUP PTY LTD. SIMPLY STAINLESS reserves the right to change specification and design without notice.

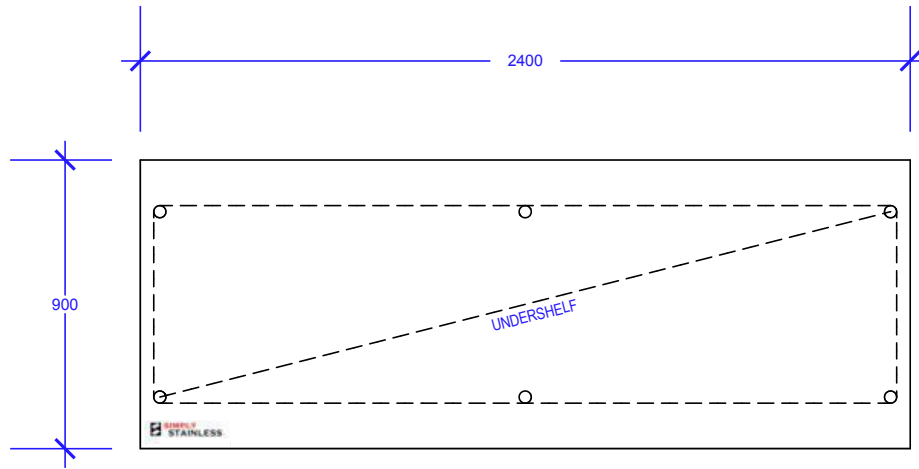
**SS01-9-2100
 WORK BENCH**

SCALE: 1:25

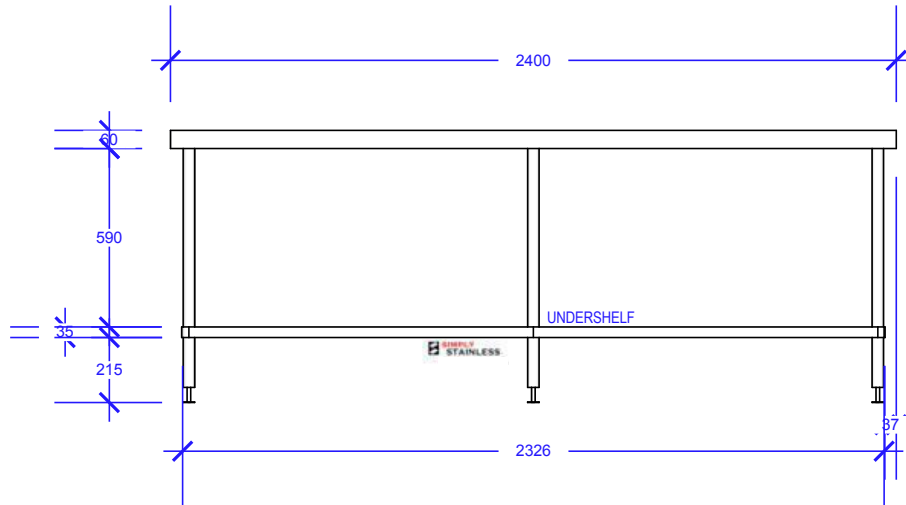
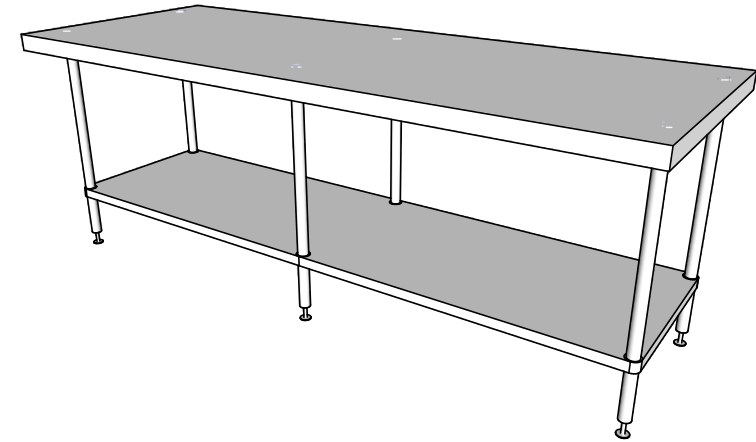
CONSTRUCTION NOTES :

1. TOPS MADE FROM 1.2mm STAINLESS STEEL.
2. CORE MADE FROM 3.0mm ZINC ANNEAL.
3. FRAME MADE FROM Ø38mm STAINLESS STEEL TUBE.
4. UNDERSHELF MADE FROM 1.2mm STAINLESS STEEL.
5. FEET ARE ADJUSTABLE STAINLESS STEEL DISC SHAPED FEET.

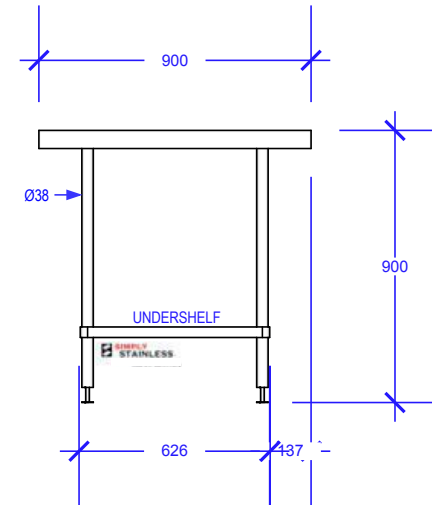
01-9-2100



PLAN



FRONT VIEW



SIDE VIEW

01-9-2400

SIMPLY STAINLESS
 www.simplystainless.com
 Modular Sinks Tables and Shelving
 COPYRIGHT © 2014
 This drawing is the property of CI GROUP PTY LTD. Tradings as SIMPLY STAINLESS and It may not be copied, reproduced or modified in whole or in part without prior written permission of CI GROUP PTY LTD. SIMPLY STAINLESS reserves the right to change specification and design without notice.

**SS01-9-2400
 WORK BENCH**

SCALE: 1:25

CONSTRUCTION NOTES :

1. TOPS MADE FROM 1.2mm STAINLESS STEEL.
2. CORE MADE FROM 3.0mm ZINC ANNEAL.
3. FRAME MADE FROM Ø38mm STAINLESS STEEL TUBE.
4. UNDERSHELF MADE FROM 1.2mm STAINLESS STEEL.
5. FEET ARE ADJUSTABLE STAINLESS STEEL DISC SHAPED FEET.