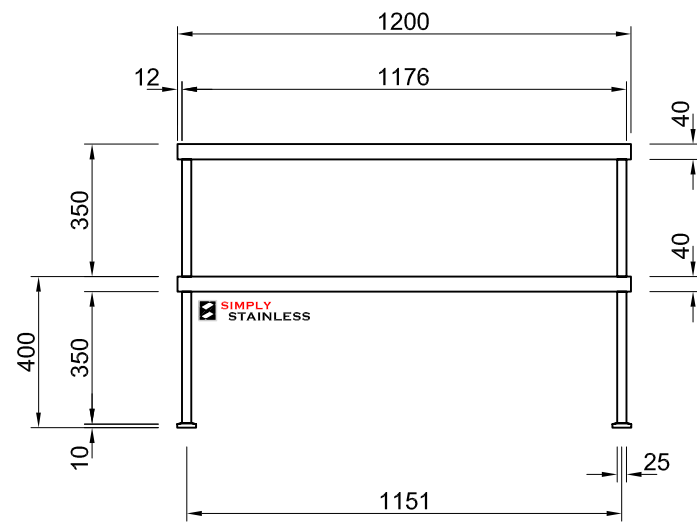
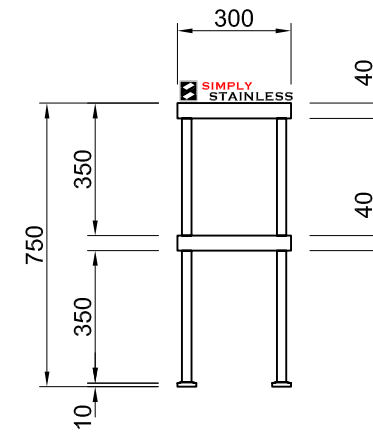


PLAN



FRONT ELEVATION



SIDE ELEVATION

13-1200



www.simplystainless.com
Modular Sinks Tables and Shelving

CI GROUP PTY LTD COPYRIGHT ©

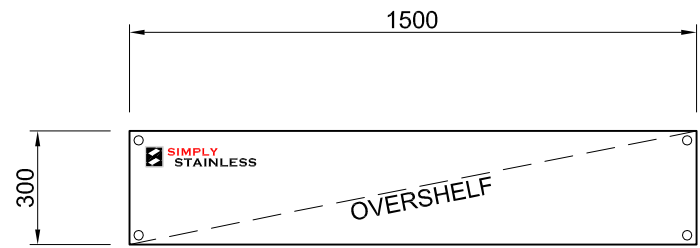
This drawing is the property of CI GROUP PTY LTD trading as SIMPLY STAINLESS, and it may not be copied, reproduced or modified in whole or in part, without prior written permission of CI GROUP PTY LTD.

**13-1200 DOUBLE
OVERSHELF**

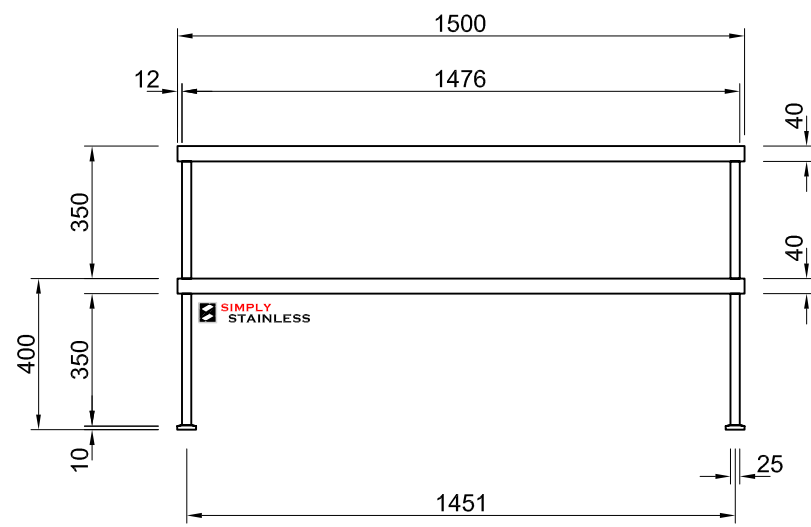
SCALE 1:20

CONSTRUCTION NOTES:

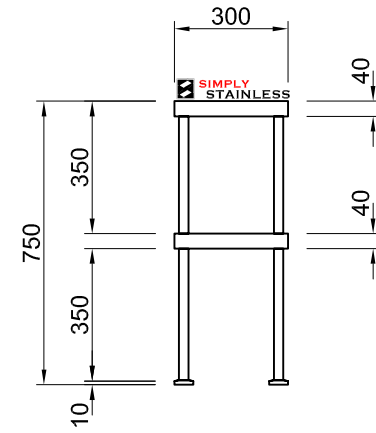
1. TOPS MADE FROM 1.2mm STAINLESS STEEL.
2. FRAME MADE FROM Ø25mm STAINLESS STEEL TUBE.
3. FEET ARE STAINLESS STEEL DISC SHAPED FEET.



PLAN



FRONT ELEVATION



SIDE ELEVATION

13-1500

SIMPLY STAINLESS
 www.simplystainless.com
 Modular Sinks Tables and Shelving

CI GROUP PTY LTD COPYRIGHT ©

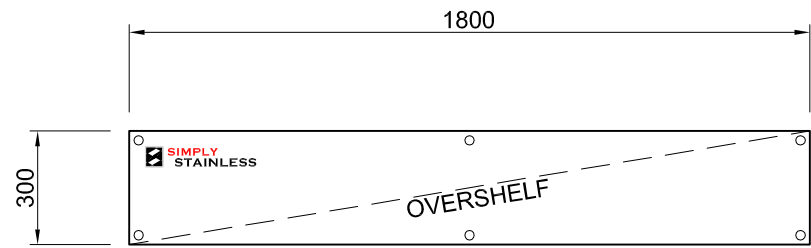
This drawing is the property of CI GROUP PTY LTD trading as SIMPLY STAINLESS, and it may not be copied, reproduced or modified in whole or in part, without prior written permission of CI GROUP PTY LTD.

13-1500 DOUBLE OVERSHELF

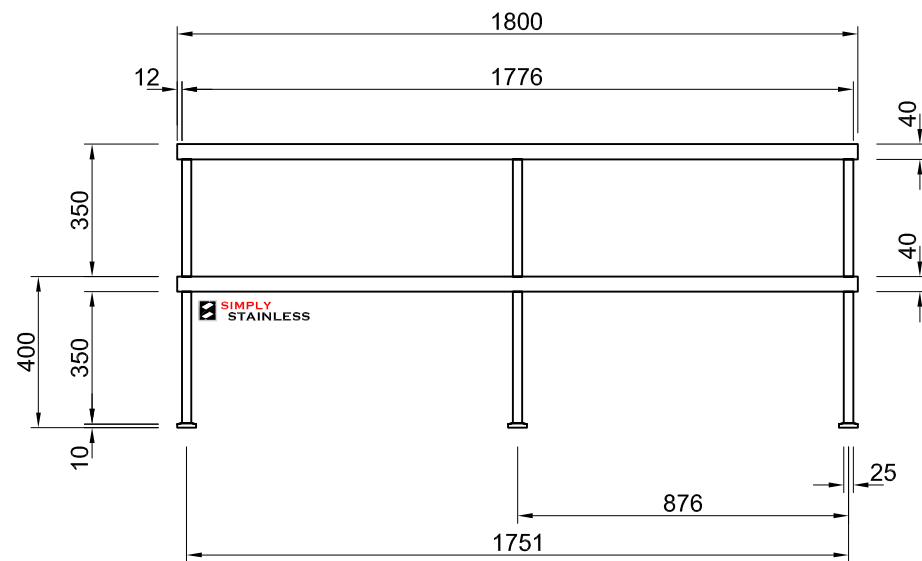
SCALE 1:20

CONSTRUCTION NOTES:

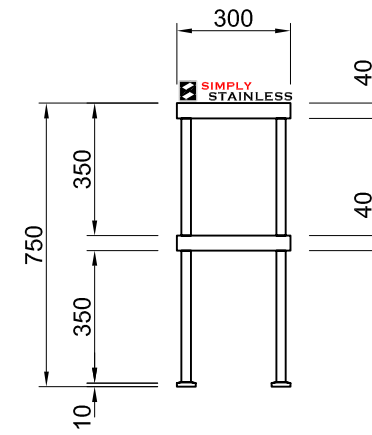
1. TOPS MADE FROM 1.2mm STAINLESS STEEL.
2. FRAME MADE FROM Ø25mm STAINLESS STEEL TUBE.
3. FEET ARE STAINLESS STEEL DISC SHAPED FEET.



PLAN



FRONT ELEVATION



SIDE ELEVATION

13-1800

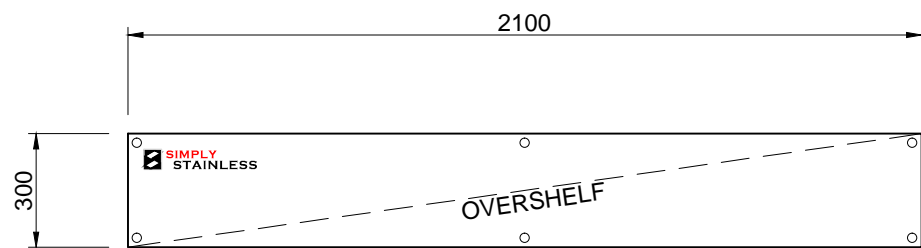

SIMPLY STAINLESS
 www.simplystainless.com
 Modular Sinks Tables and Shelving
 CI GROUP PTY LTD COPYRIGHT ©
 This drawing is the property of CI GROUP PTY LTD trading as SIMPLY STAINLESS, and it may not be copied, reproduced or modified in whole or in part, without prior written permission of CI GROUP PTY LTD.

13-1800 DOUBLE OVERSHELF

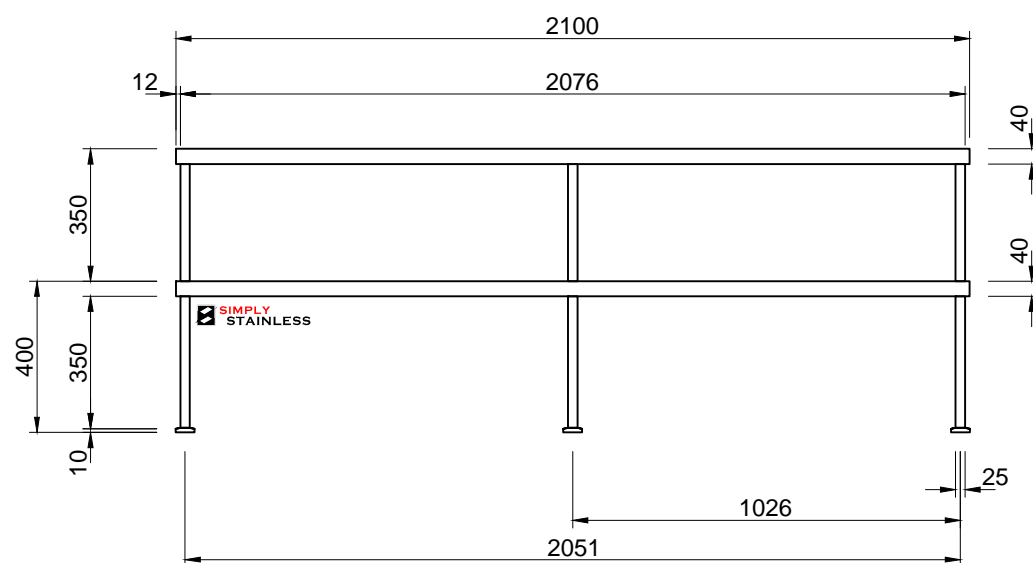
SCALE 1:20

CONSTRUCTION NOTES:

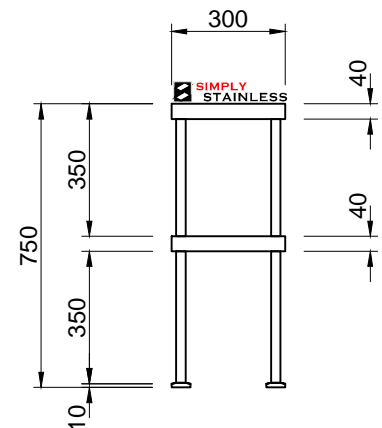
1. TOPS MADE FROM 1.2mm STAINLESS STEEL.
2. FRAME MADE FROM Ø25mm STAINLESS STEEL TUBE.
3. FEET ARE STAINLESS STEEL DISC SHAPED FEET.



PLAN




FRONT ELEVATION



SIDE ELEVATION

13-2100



www.simplystainless.com
Modular Sinks Tables and Shelving

CI GROUP PTY LTD COPYRIGHT ©

This drawing is the property of CI GROUP PTY LTD trading as SIMPLY STAINLESS, and it may not be copied, reproduced or modified in whole or in part, without prior written permission of CI GROUP PTY LTD.

**13-2100 DOUBLE
OVERSHELF**

SCALE 1:20

CONSTRUCTION NOTES:

1. TOPS MADE FROM 1.2mm STAINLESS STEEL.
2. FRAME MADE FROM Ø25mm STAINLESS STEEL TUBE.
3. FEET ARE STAINLESS STEEL DISC SHAPED FEET.