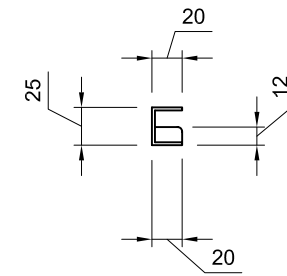
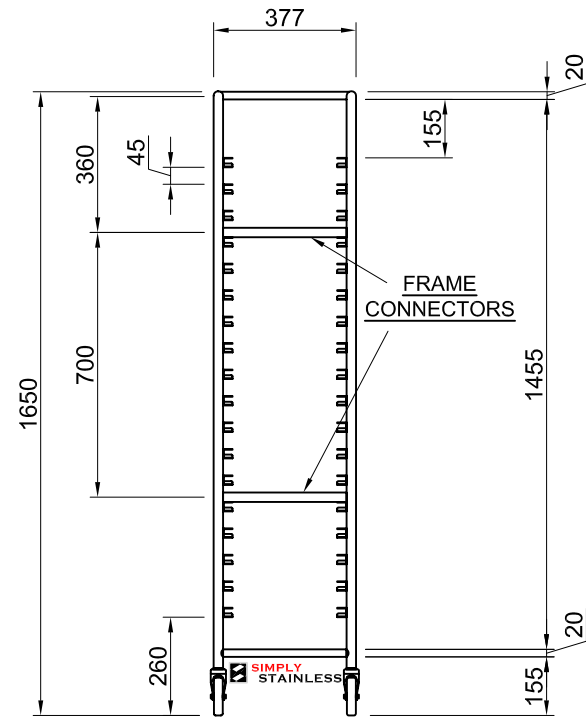


PLAN

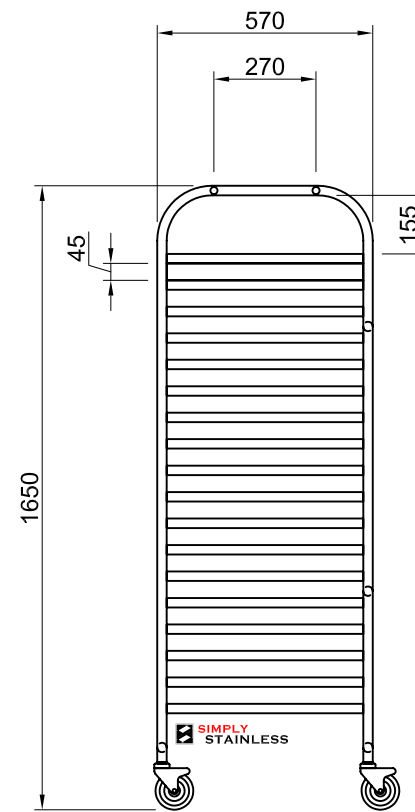


RUNNERS PROFILE

SCALE 1:5



FRONT ELEVATION



SIDE ELEVATION

16 - 1/1



CI GROUP PTY LTD COPYRIGHT ©

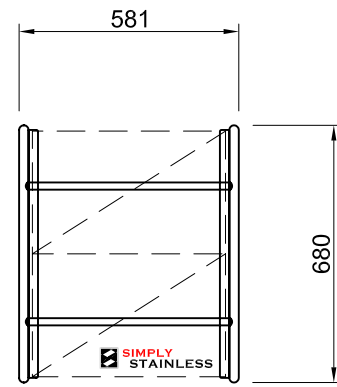
This drawing is the property of CI GROUP PTY LTD trading as SIMPLY STAINLESS, and it may not be copied, reproduced or modified in whole or in part, without prior written permission of CI GROUP PTY LTD.

**16 - 1/1 GASTRONORM TROLLEY**

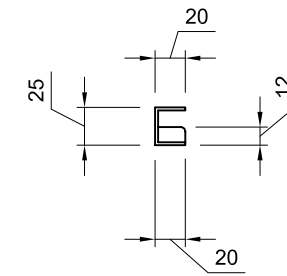
SCALE 1:20

CONSTRUCTION NOTES:

1. RUNNERS MADE FROM 1.2mm STAINLESS STEEL.
2. FRAME MADE FROM Ø25mm STAINLESS STEEL TUBE.
3. FEET ARE Ø100mm SWIVEL CASTORS, 2x LOCKING & 2x NON-LOCKING.

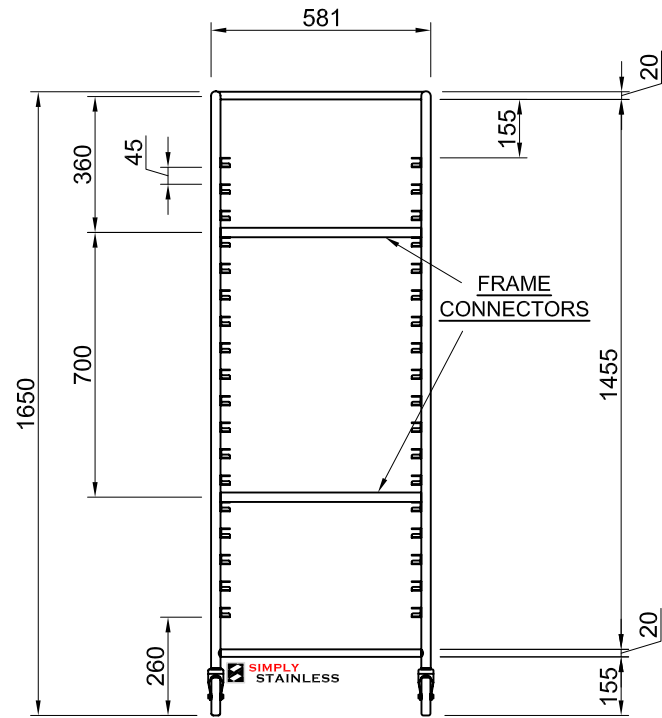


PLAN

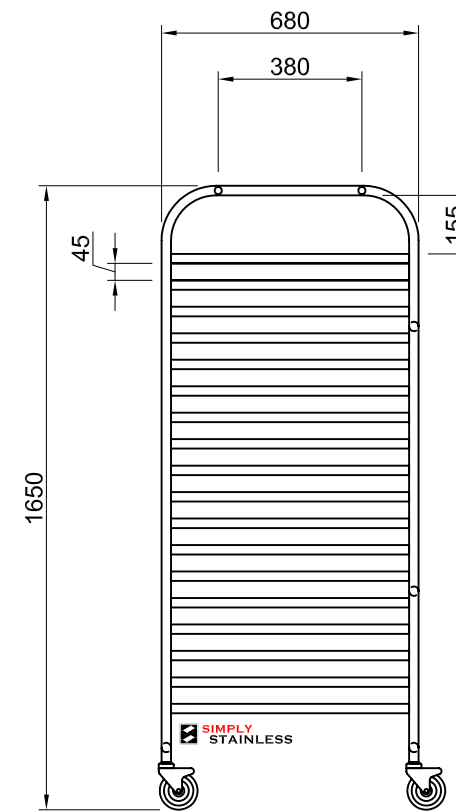


RUNNERS PROFILE

SCALE 1:5



FRONT ELEVATION



SIDE ELEVATION

16 - 2/1



CI GROUP PTY LTD COPYRIGHT ©

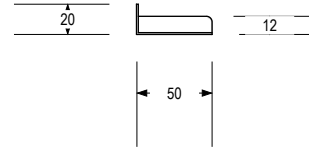
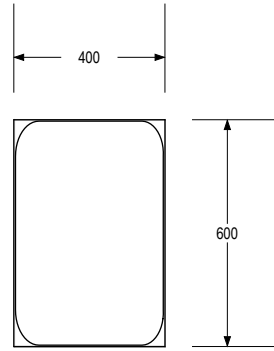
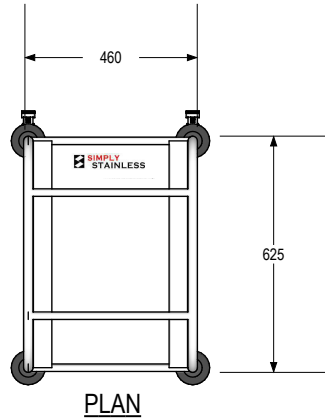
This drawing is the property of CI GROUP PTY LTD trading as SIMPLY STAINLESS, and it may not be copied, reproduced or modified in whole or in part, without prior written permission of CI GROUP PTY LTD.

**16 - 2/1 GASTRONORM TROLLEY**

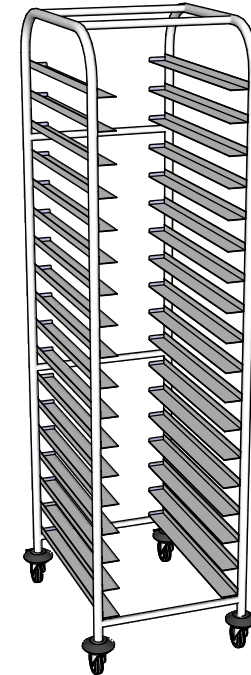
SCALE 1:20

CONSTRUCTION NOTES:

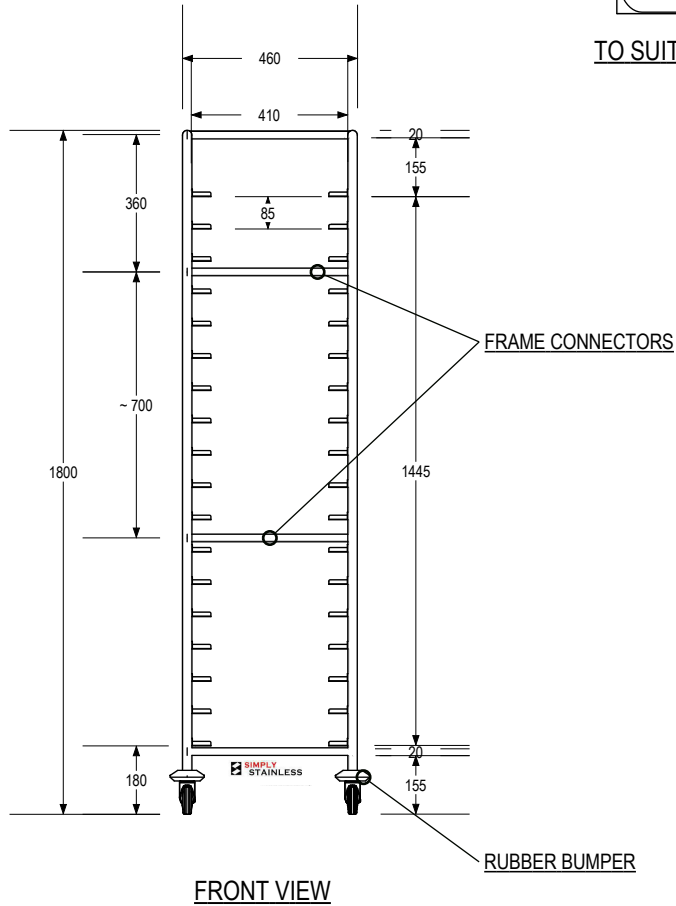
1. RUNNERS MADE FROM 1.2mm STAINLESS STEEL.
2. FRAME MADE FROM Ø25mm STAINLESS STEEL TUBE.
3. FEET ARE Ø100mm SWIVEL CASTORS, 2x LOCKING & 2x NON-LOCKING.



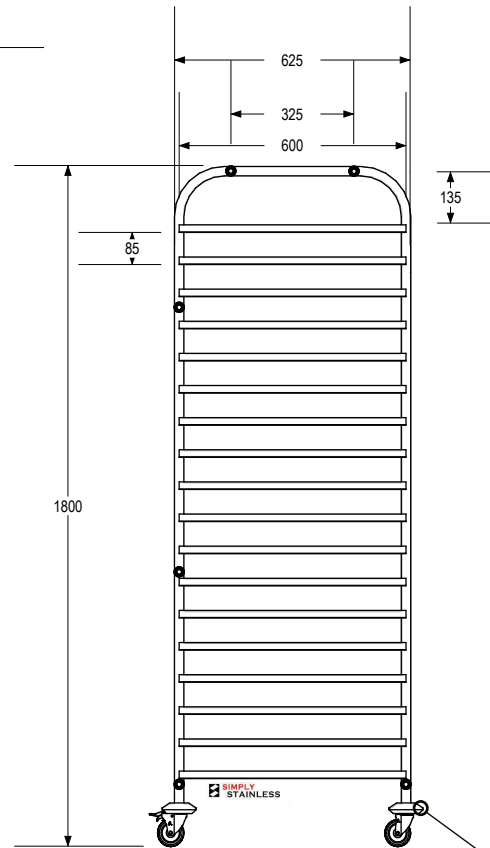
**RUNNERS PROFILE**  
scale 1:5mm



**ISO VIEW**  
do not scale



**FRONT VIEW**



**SIDE VIEW**

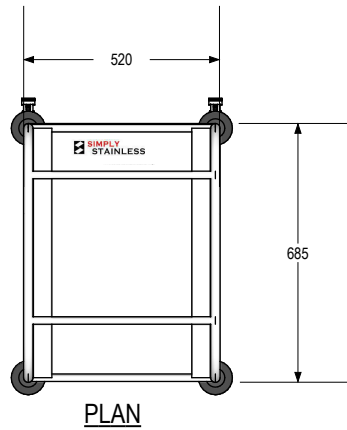
**SIMPLY STAINLESS**  
www.simplystainless.com  
Modular Sinks Tables and Shelving  
COPYRIGHT © 2012  
This drawing is the property of CI GROUP PTY LTD. Tradings as SIMPLY STAINLESS and It may not be copied, reproduced or modified in whole or in part without prior written permission of CI GROUP PTY LTD. SIMPLY STAINLESS reserves the right to change specification and design without notice.

**16 - BT  
BAKERY TROLLEY**

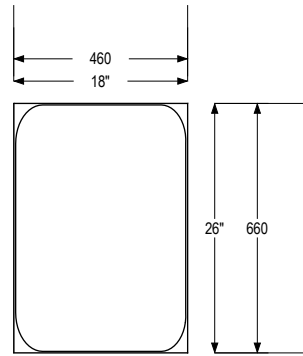
SCALE: 1:20

**CONSTRUCTION NOTES :**

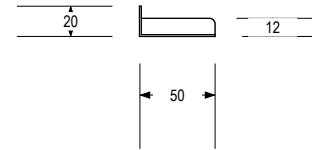
1. RUNNERS MADE FROM 1.2mm STAINLESS STEEL.
2. FRAME MADE FROM Ø25mm STAINLESS STEEL TUBE.
3. FEET ARE Ø100mm SWIVEL CASTORS, 2x LOCKING & 2x NON-LOCKING.



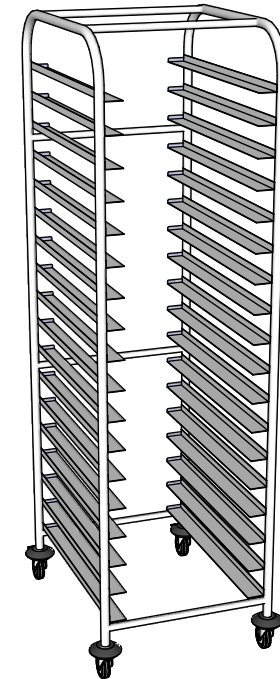
PLAN



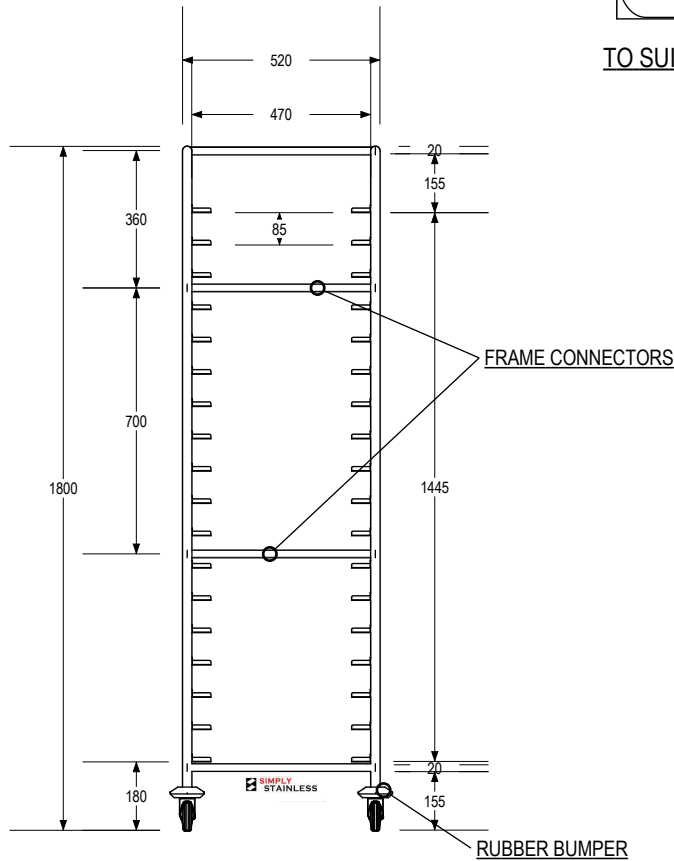
TO SUIT TRAY SIZE



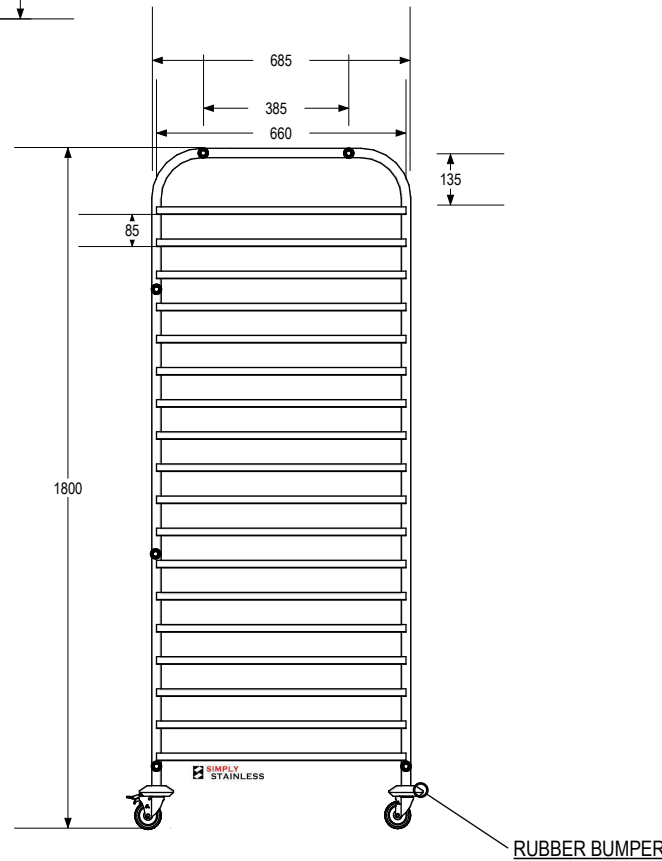
RUNNERS PROFILE  
scale 1:5mm



ISO VIEW  
do not scale



FRONT VIEW



SIDE VIEW

**SIMPLY STAINLESS**  
www.simplystainless.com  
Modular Sinks Tables and Shelving  
COPYRIGHT © 2012  
This drawing is the property of CI GROUP PTY LTD. Tradings as SIMPLY STAINLESS and It may not be copied, reproduced or modified in whole or in part without prior written permission of CI GROUP PTY LTD. SIMPLY STAINLESS reserves the right to change specification and design without notice.

**16 - BT I**  
**BAKERY TROLLEY IMPERIAL**

SCALE: 1:20

CONSTRUCTION NOTES :

1. RUNNERS MADE FROM 1.2mm STAINLESS STEEL.
2. FRAME MADE FROM Ø25mm STAINLESS STEEL TUBE.
3. FEET ARE Ø100mm SWIVEL CASTORS, 2x LOCKING & 2x NON-LOCKING.