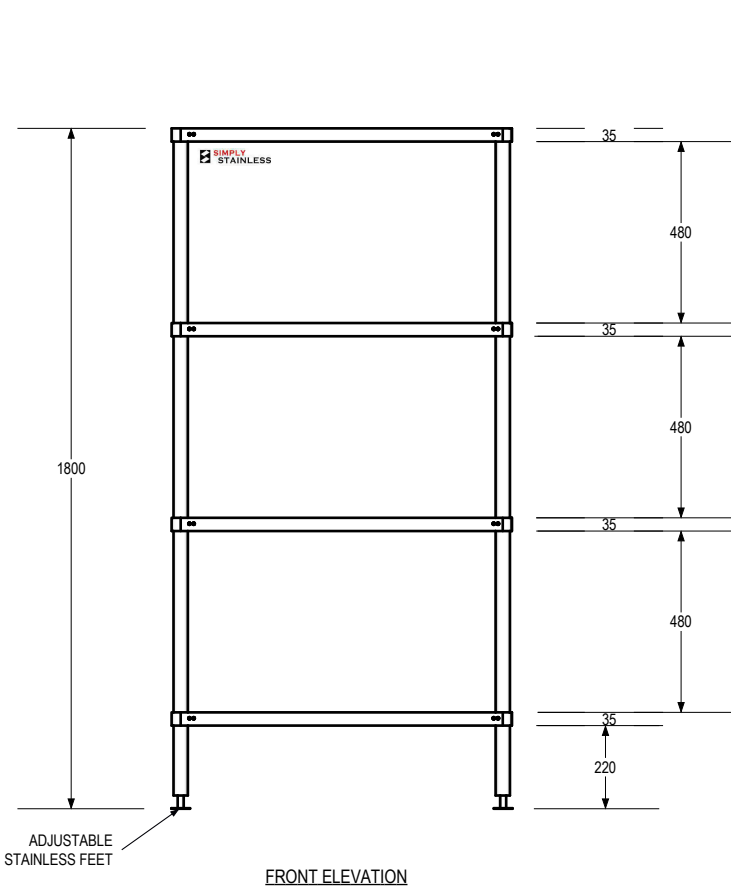
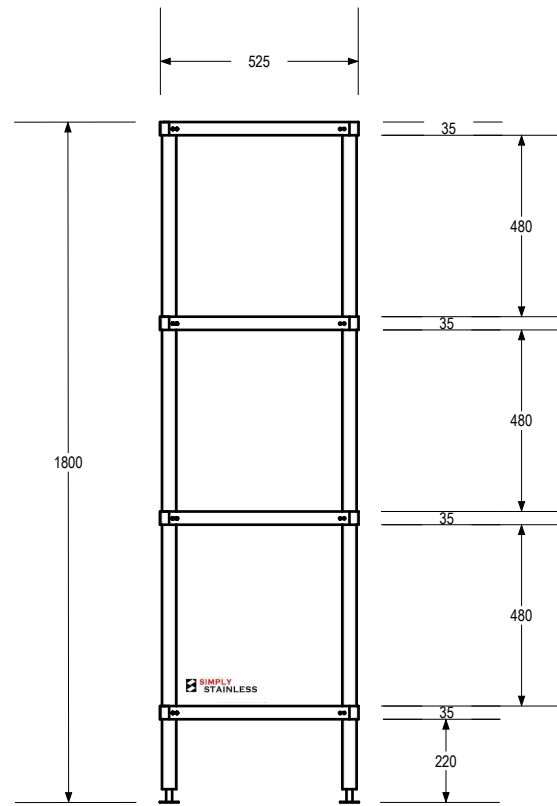


PLAN



FRONT ELEVATION



SIDE ELEVATION

17-0900

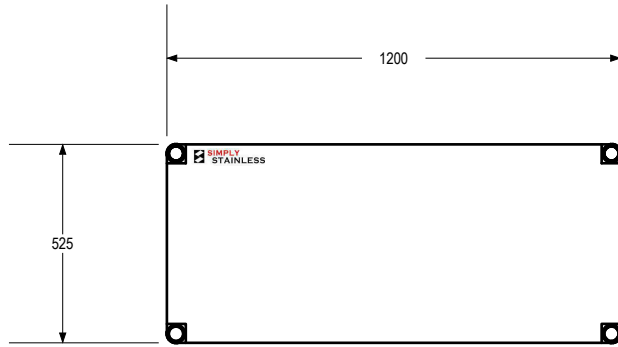
SIMPLY STAINLESS
 www.simplystainless.com
 Modular Sinks Tables and Shelving
 COPYRIGHT © 2013
 This drawing is the property of CI GROUP PTY LTD. Tradings as SIMPLY STAINLESS and It may not be copied, reproduced or modified in whole or in part without prior written permission of CI GROUP PTY LTD. SIMPLY STAINLESS reserves the right to change specification and design without notice.

**17-0900 ADJUSTABLE
 4 TIER STORAGE SHELF**

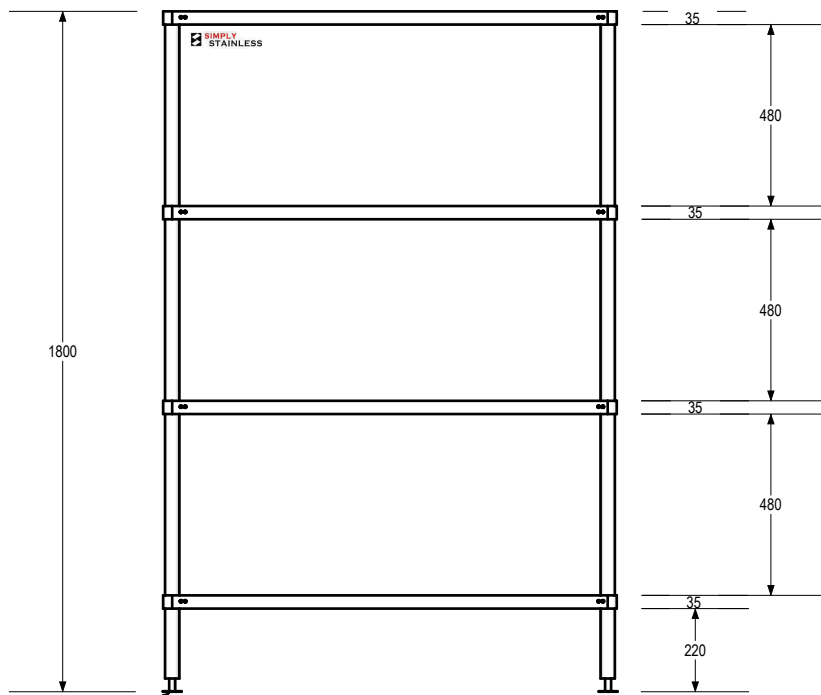
SCALE: 1:20

CONSTRUCTION NOTES :

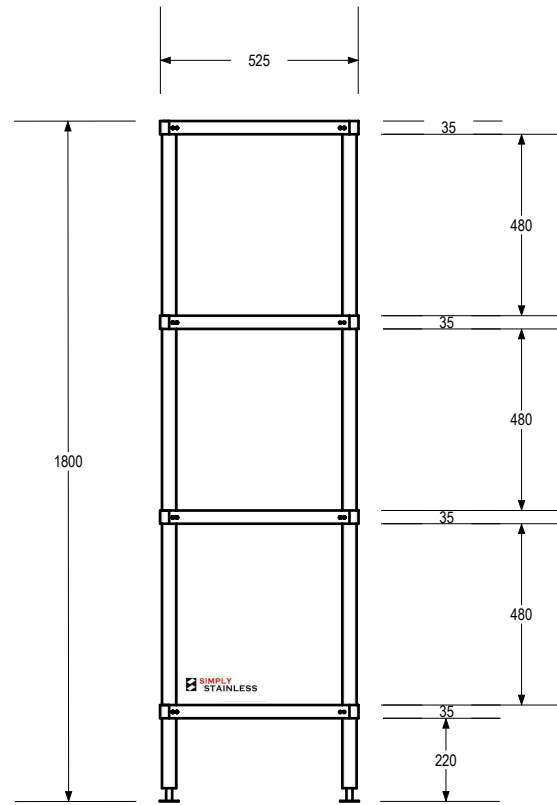
1. TOPS MADE FROM 1.2mm STAINLESS STEEL.
2. TUBE MADE FROM Ø38mm STAINLESS STEEL TUBE.
3. FEET ARE ADJUSTABLE STAINLESS STEEL DISC FEET.



PLAN



FRONT ELEVATION



SIDE ELEVATION

17-1200

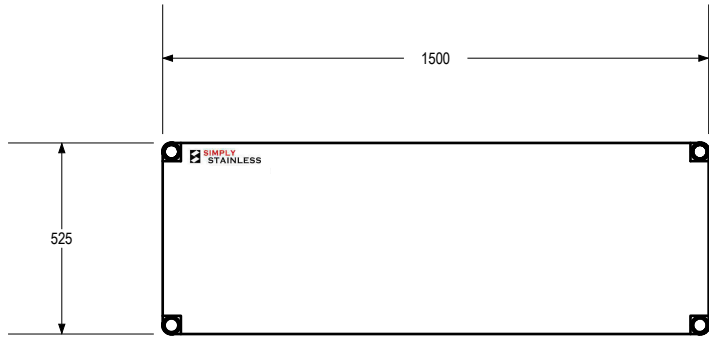
SIMPLY STAINLESS
 www.simplystainless.com
 Modular Sinks Tables and Shelving
 COPYRIGHT © 2013
 This drawing is the property of CI GROUP PTY LTD. Tradings as SIMPLY STAINLESS and It may not be copied, reproduced or modified in whole or in part without prior written permission of CI GROUP PTY LTD. SIMPLY STAINLESS reserves the right to change specification and design without notice.

**17-1200 ADJUSTABLE
 4 TIER STORAGE SHELF**

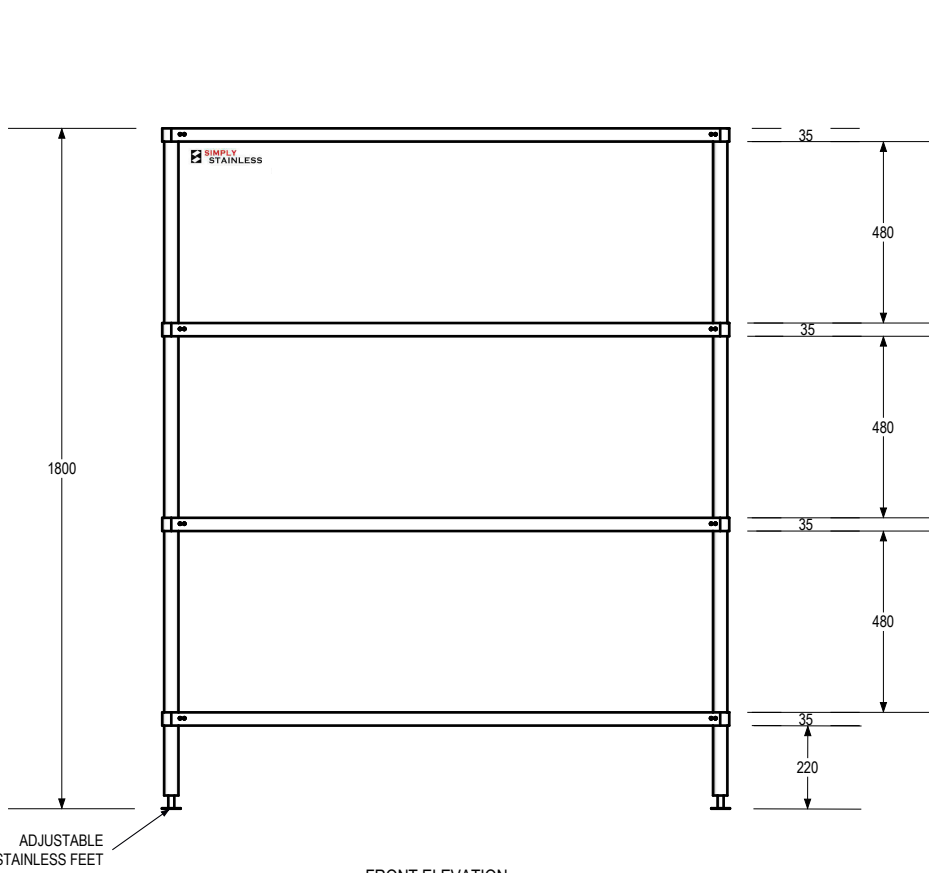
SCALE: 1:20

CONSTRUCTION NOTES :

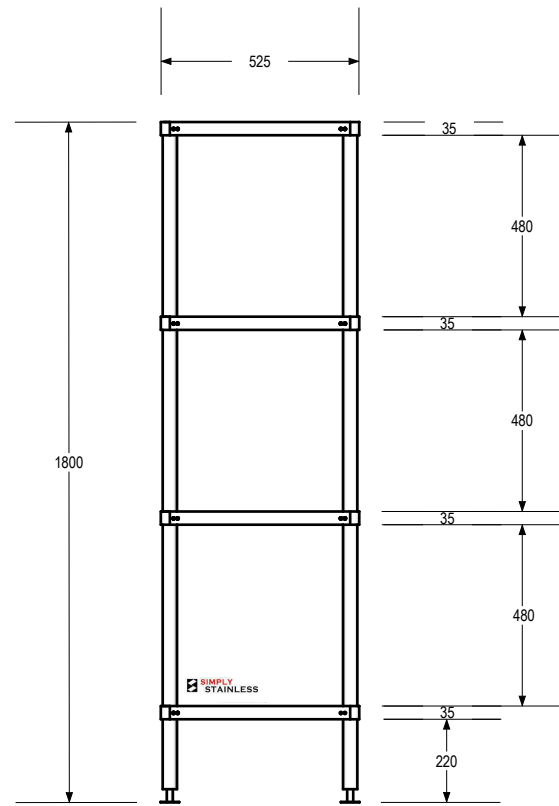
1. TOPS MADE FROM 1.2mm STAINLESS STEEL.
2. TUBE MADE FROM Ø38mm STAINLESS STEEL TUBE.
3. FEET ARE ADJUSTABLE STAINLESS STEEL DISC FEET.



PLAN



FRONT ELEVATION



SIDE ELEVATION

17-1500

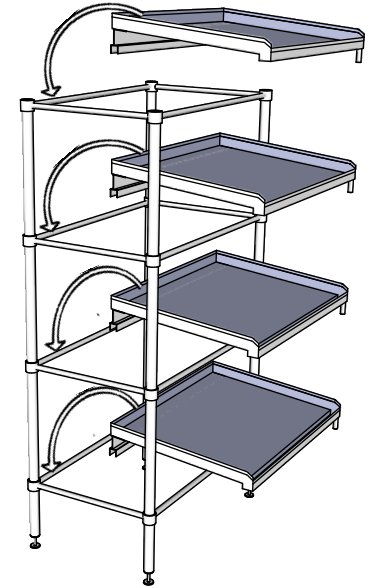
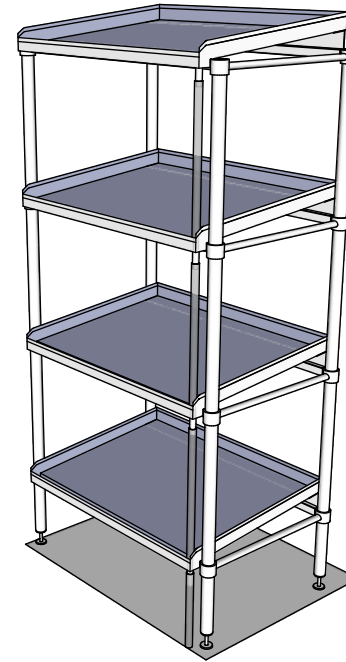
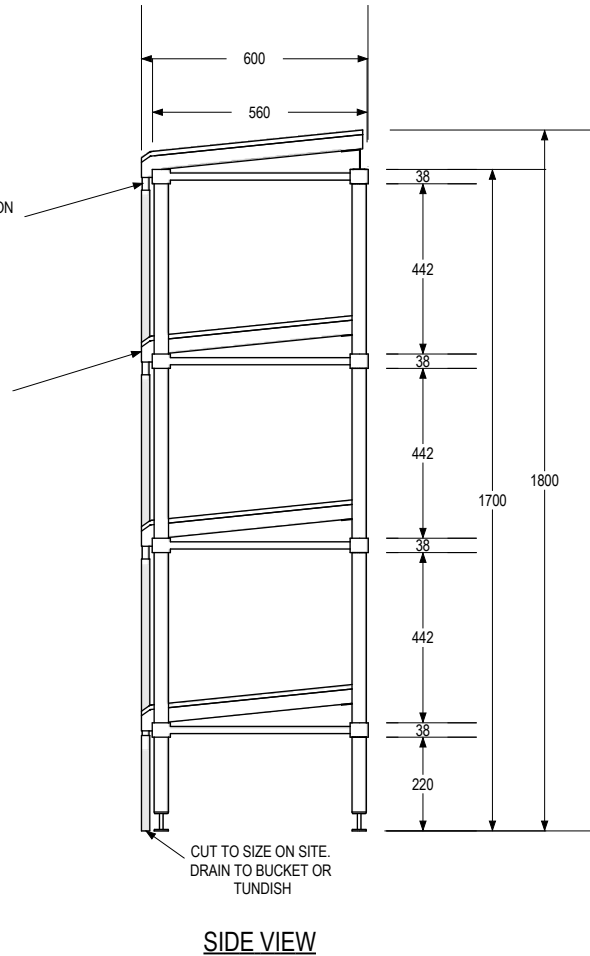
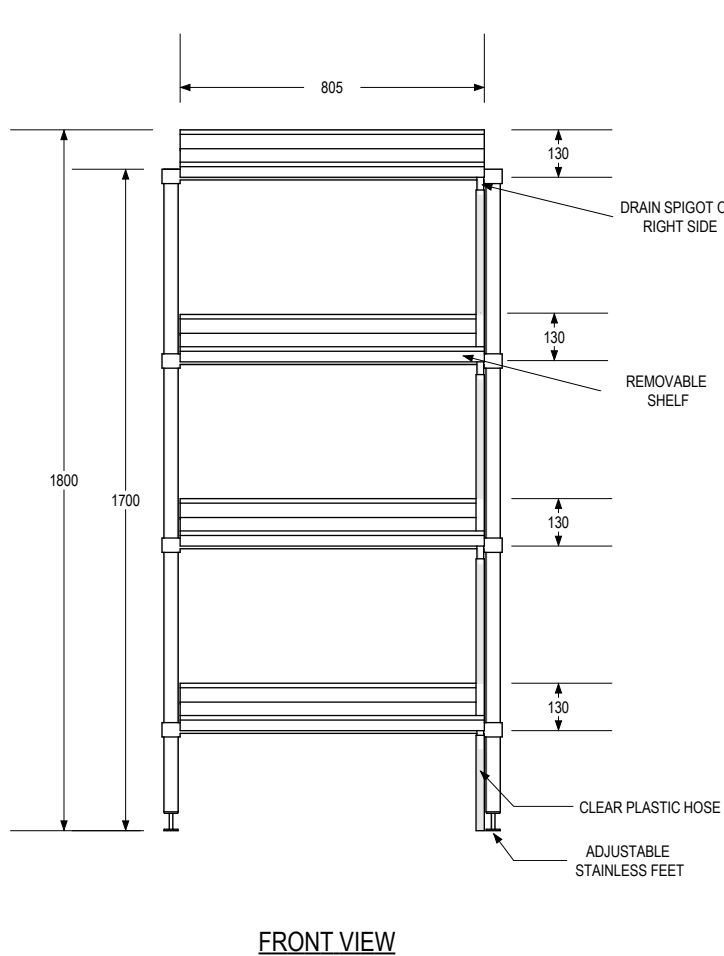
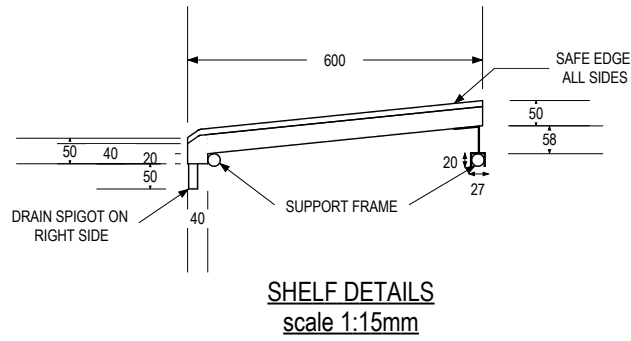
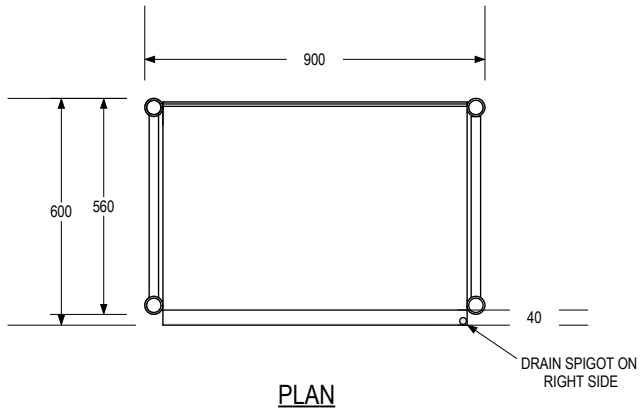
SIMPLY STAINLESS
 www.simplystainless.com
 Modular Sinks Tables and Shelving
 COPYRIGHT © 2013
 This drawing is the property of CI GROUP PTY LTD. Tradings as SIMPLY STAINLESS and It may not be copied, reproduced or modified in whole or in part without prior written permission of CI GROUP PTY LTD. SIMPLY STAINLESS reserves the right to change specification and design without notice.

**17-1500 ADJUSTABLE
 4 TIER STORAGE SHELF**

SCALE: 1:20

CONSTRUCTION NOTES :

1. TOPS MADE FROM 1.2mm STAINLESS STEEL.
2. TUBE MADE FROM Ø38mm STAINLESS STEEL TUBE.
3. FEET ARE ADJUSTABLE STAINLESS STEEL DISC FEET.



SIMPLY STAINLESS
www.simplystainless.com
Modular Sinks Tables and Shelving

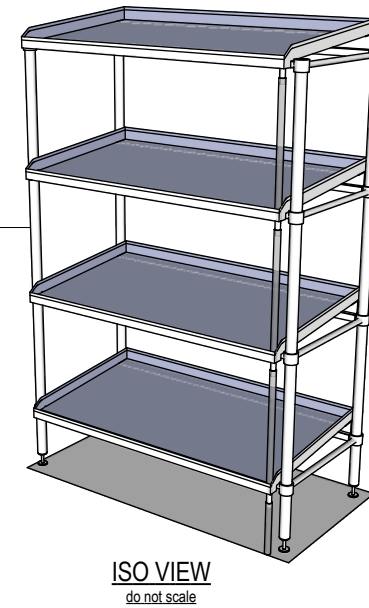
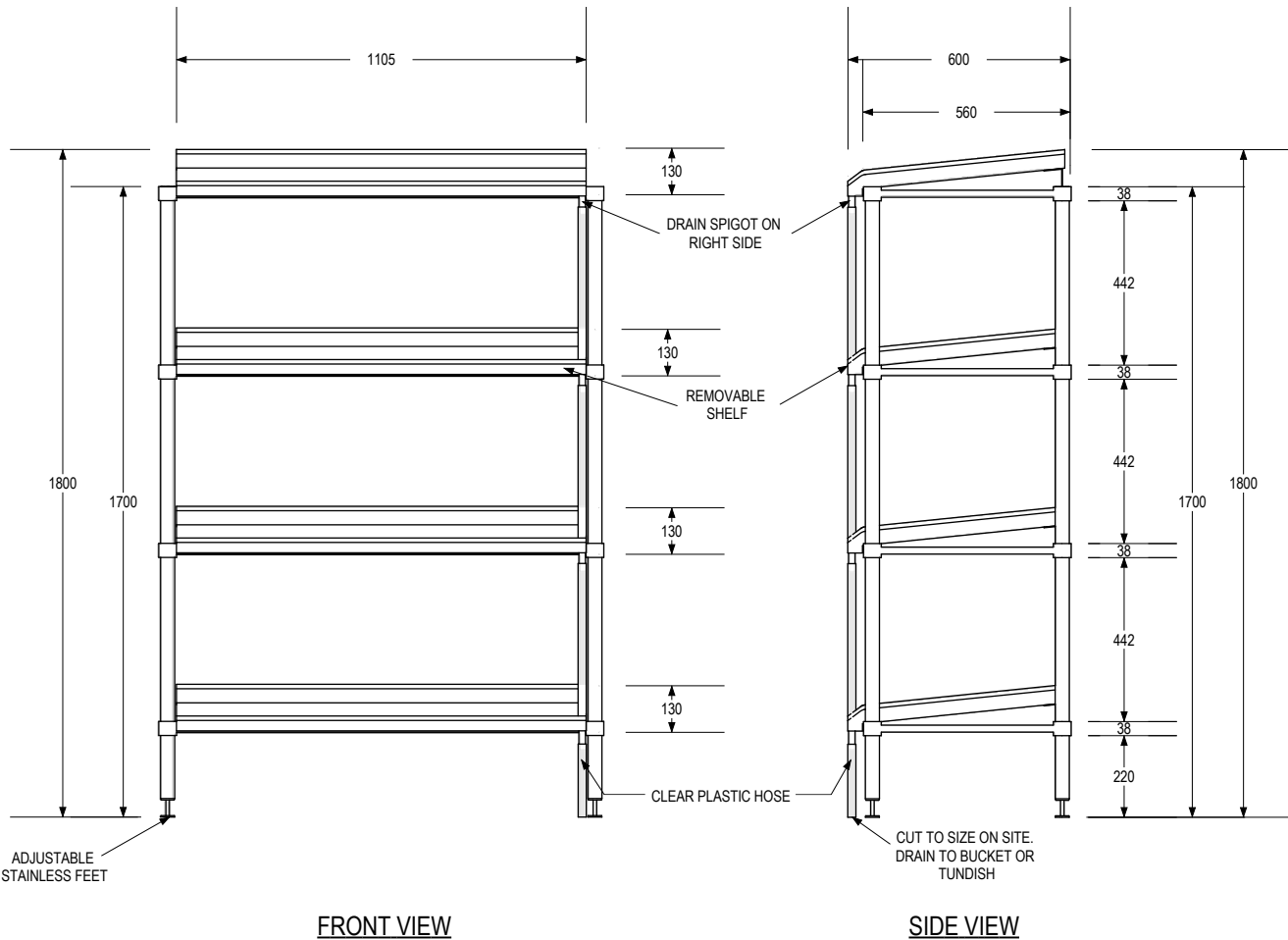
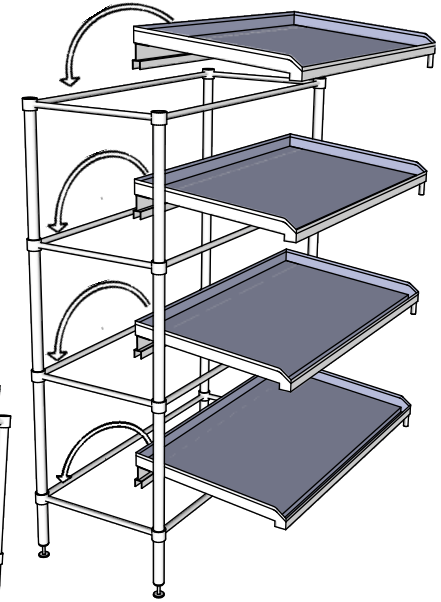
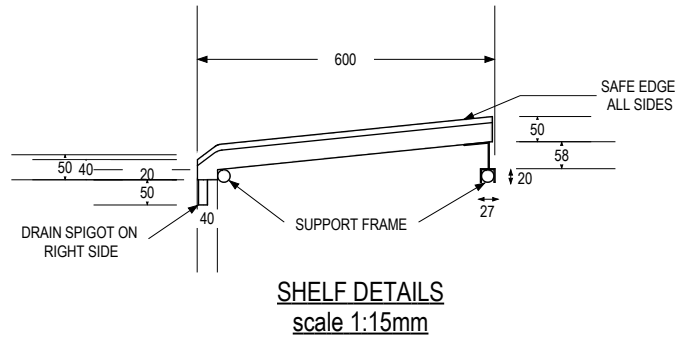
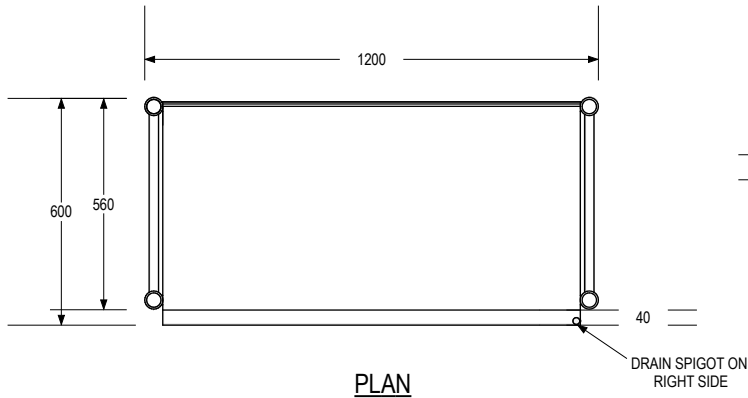
COPYRIGHT © 2012
This drawing is the property of CI GROUP PTY LTD. Tradings as SIMPLY STAINLESS and It may not be copied, reproduced or modified in whole or in part without prior written permission of CI GROUP PTY LTD. SIMPLY STAINLESS reserves the right to change specification and design without notice.

17 - DF - 0900 DEFROST SHELF

SCALE: 1:20

CONSTRUCTION NOTES :

1. TOPS MADE FROM 1.2mm STAINLESS STEEL.
2. ANGLED SUPPORT BRACKET MADE FROM 1.2mm STAINLESS STEEL.
3. LEG MADE FROM Ø38mm STAINLESS STEEL TUBE.
4. FRAME MADE FROM Ø25mm STAINLESS STEEL TUBE.
5. FEET ARE ADJUSTABLE STAINLESS STEEL DISC SHAPED FEET.
6. CLEAR PLASTIC HOSE 4x ARE INCLUDED.



SIMPLY STAINLESS
www.simplystainless.com
Modular Sinks Tables and Shelving
COPYRIGHT © 2012
This drawing is the property of CI GROUP PTY LTD. Tradings as SIMPLY STAINLESS and It may not be copied, reproduced or modified in whole or in part without prior written permission of CI GROUP PTY LTD. SIMPLY STAINLESS reserves the right to change specification and design without notice.

17 - DF - 1200 DEFROST SHELF

SCALE: 1:20

CONSTRUCTION NOTES :

1. TOPS MADE FROM 1.2mm STAINLESS STEEL.
2. ANGLED SUPPORT BRACKET MADE FROM 1.2mm STAINLESS STEEL.
3. LEG MADE FROM Ø38mm STAINLESS STEEL TUBE.
4. FRAME MADE FROM Ø25mm STAINLESS STEEL TUBE.
5. FEET ARE ADJUSTABLE STAINLESS STEEL DISC SHAPED FEET.
6. CLEAR PLASTIC HOSE 4x ARE INCLUDED.