


19-1



www.simplystainless.com
Modular Sinks Tables and Shelving

CI GROUP PTY LTD COPYRIGHT ©

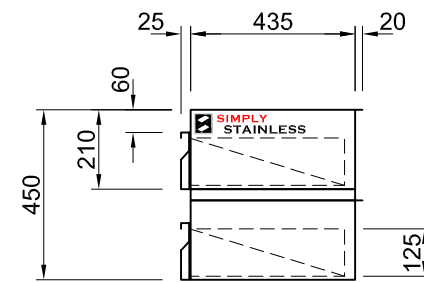
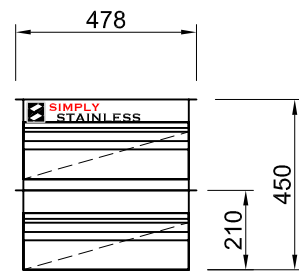
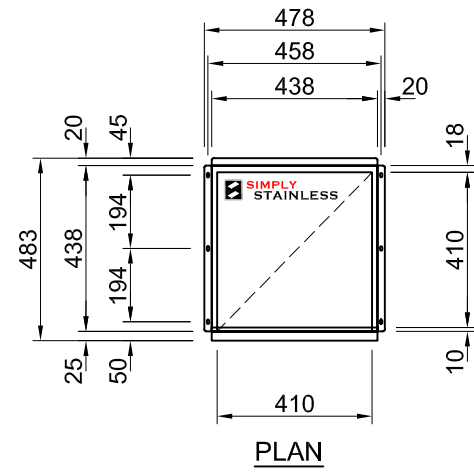
This drawing is the property of CI GROUP PTY LTD trading as SIMPLY STAINLESS, and it may not be copied, reproduced or modified in whole or in part, without prior written permission of CI GROUP PTY LTD.

19-1 DRAWER

SCALE 1:20

CONSTRUCTION NOTES:

1. DRAWER MADE FROM 1.2mm STAINLESS STEEL No. 4 FINISH.
2. ALL DRAWERS ARE TO HAVE LOCKS.



19-2

SIMPLY STAINLESS
www.simplystainless.com
Modular Sinks Tables and Shelving

CI GROUP PTY LTD COPYRIGHT ©

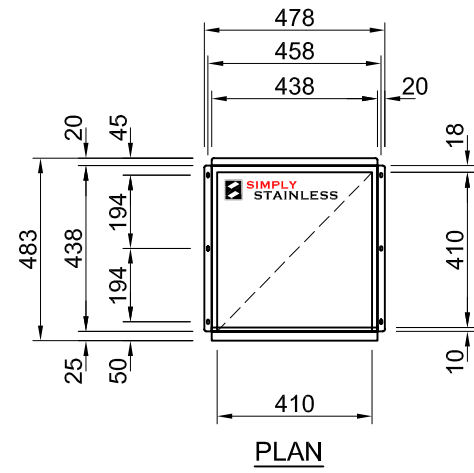
This drawing is the property of CI GROUP PTY LTD trading as SIMPLY STAINLESS, and it may not be copied, reproduced or modified in whole or in part, without prior written permission of CI GROUP PTY LTD.

19-2 DRAWER

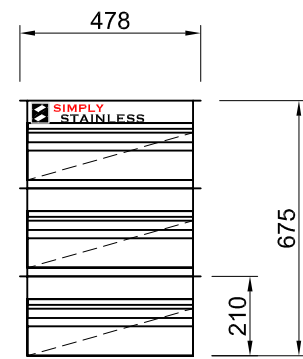
SCALE 1:20

CONSTRUCTION NOTES:

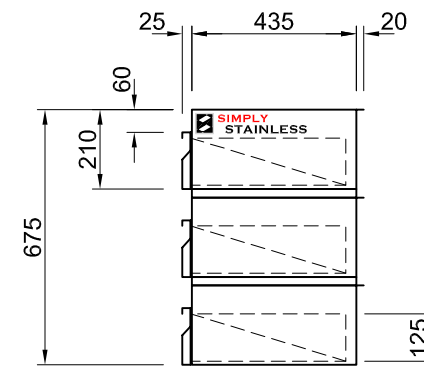
1. DRAWER MADE FROM 1.2mm STAINLESS STEEL No. 4 FINISH.
2. ALL DRAWERS ARE TO HAVE LOCKS.



PLAN




FRONT ELEVATION



SIDE ELEVATION

19-3

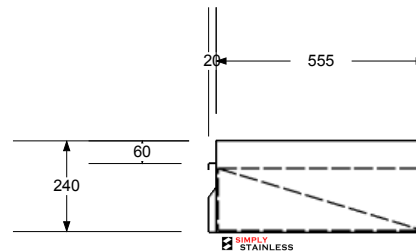
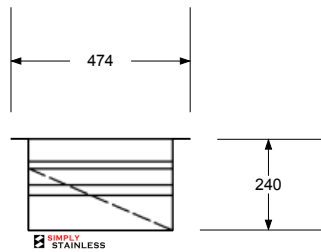
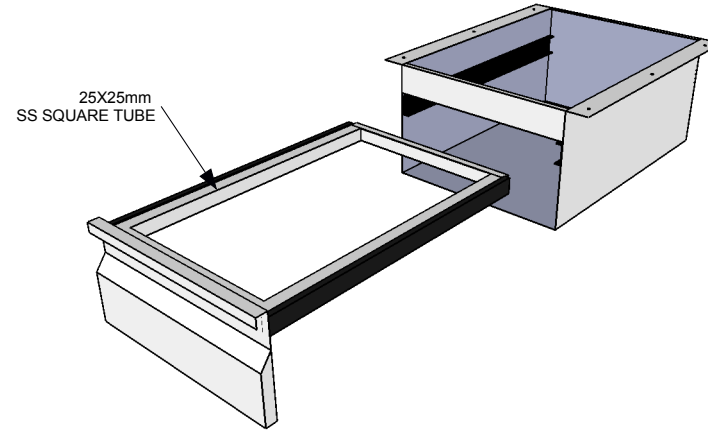
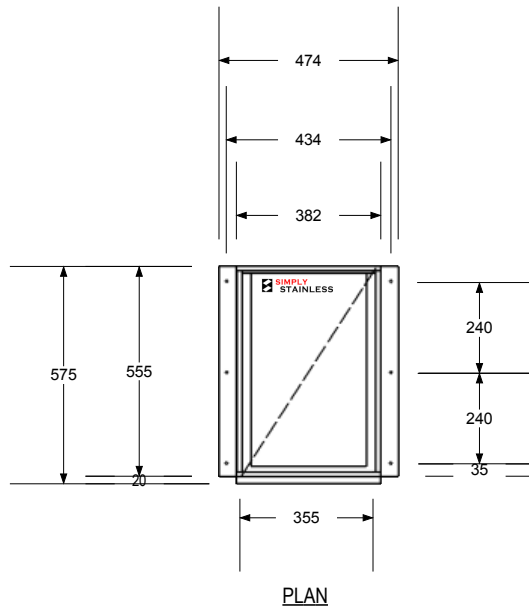

SIMPLY STAINLESS
 www.simplystainless.com
 Modular Sinks Tables and Shelving
 CI GROUP PTY LTD COPYRIGHT ©
 This drawing is the property of CI GROUP PTY LTD trading as SIMPLY STAINLESS, and it may not be copied, reproduced or modified in whole or in part, without prior written permission of CI GROUP PTY LTD.

19-3 DRAWER

SCALE 1:20

CONSTRUCTION NOTES:

1. DRAWER MADE FROM 1.2mm STAINLESS STEEL No. 4 FINISH.
2. ALL DRAWERS ARE TO HAVE LOCKS.



19-GN
TO ACCEPT 1/1 GASTRONORM DISH
TO 150mm DEEP (DISH NOT INCLUDED)

SIMPLY STAINLESS
 www.simplystainless.com
 Modular Sinks Tables and Shelving
 COPYRIGHT © 2013
 This drawing is the property of CI GROUP PTY LTD. Tradings as SIMPLY STAINLESS and It may not be copied, reproduced or modified in whole or in part without prior written permission of CI GROUP PTY LTD. SIMPLY STAINLESS reserves the right to change specification and design without notice.

19-GN
DRAWER

SCALE: 1:20

CONSTRUCTION NOTES :

1. DRAWER MADE FROM 1.2mm STAINLESS STEEL No. 4 FINISH.
2. TUBE FROM 25x25mm STAINLESS STEEL SQUARE TUBE.