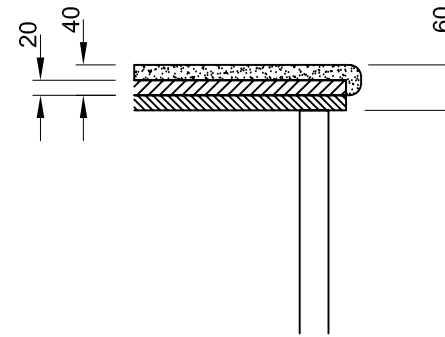
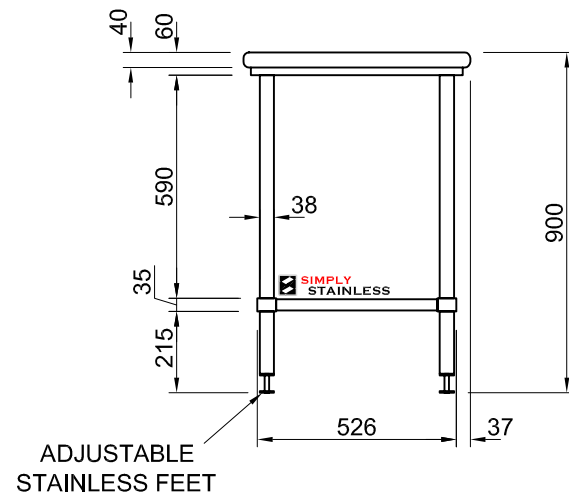


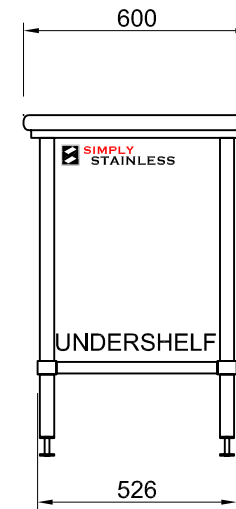
PLAN



GRANITE TOP DETAIL



FRONT ELEVATION



SIDE ELEVATION

23-0600

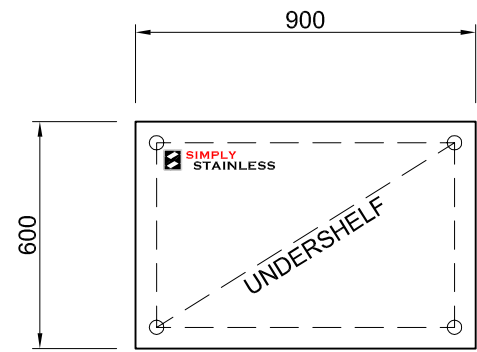
TOPS COME IN EITHER BLACK PEARL OR DOLLAMITE WHITE

SIMPLY STAINLESS
 www.simplystainless.com
 Modular Sinks Tables and Shelving
 CI GROUP PTY LTD COPYRIGHT ©
 This drawing is the property of CI GROUP PTY LTD trading as Simply Stainless, and it may not be copied, reproduced or modified in whole or in part, without prior written permission of CI GROUP PTY LTD.
23-0600 GRANITE BENCH

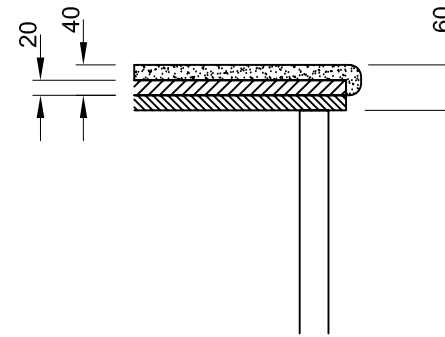
SCALE 1:20

CONSTRUCTION NOTES:

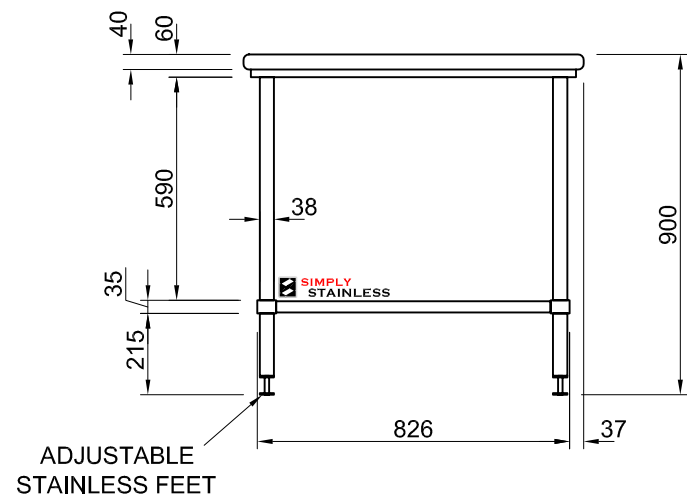
1. TOPS MADE FROM 20mm GRANITE STONE.
2. CORE MADE FROM 3.0mm ZINC ANNEAL.
3. FRAME MADE FROM Ø38mm STAINLESS STEEL TUBE.
4. UNDERSHELF MADE FROM 1.2mm STAINLESS STEEL.
5. FEET ARE ADJUSTABLE STAINLESS STEEL DISC SHAPED FEET.



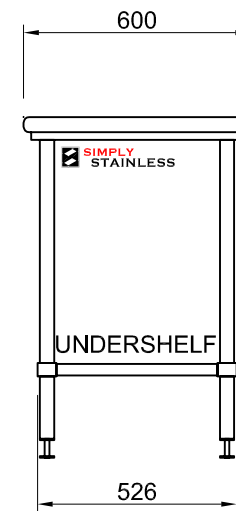
PLAN



GRANITE TOP DETAIL




FRONT ELEVATION



SIDE ELEVATION

23-0900

TOPS COME IN EITHER BLACK PEARL OR DOLLAMITE WHITE



www.simplystainless.com
Modular Sinks Tables and Shelving

CI GROUP PTY LTD COPYRIGHT ©

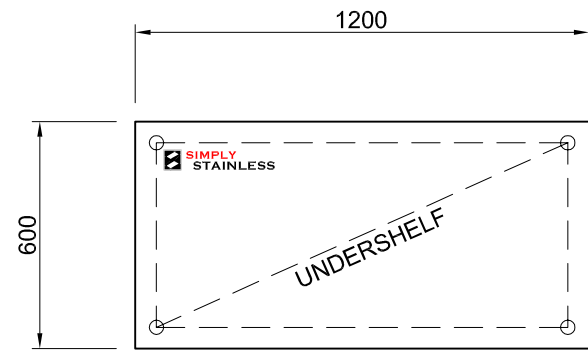
This drawing is the property of CI GROUP PTY LTD trading as Simply Stainless, and it may not be copied, reproduced or modified in whole or in part, without prior written permission of CI GROUP PTY LTD.

23-0900 GRANITE BENCH

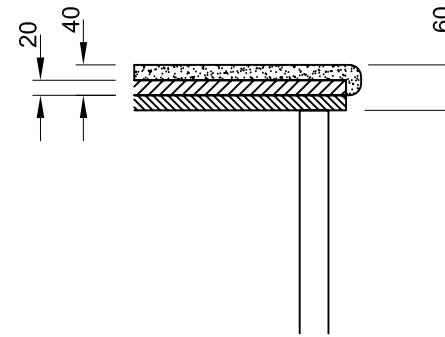
SCALE 1:20

CONSTRUCTION NOTES:

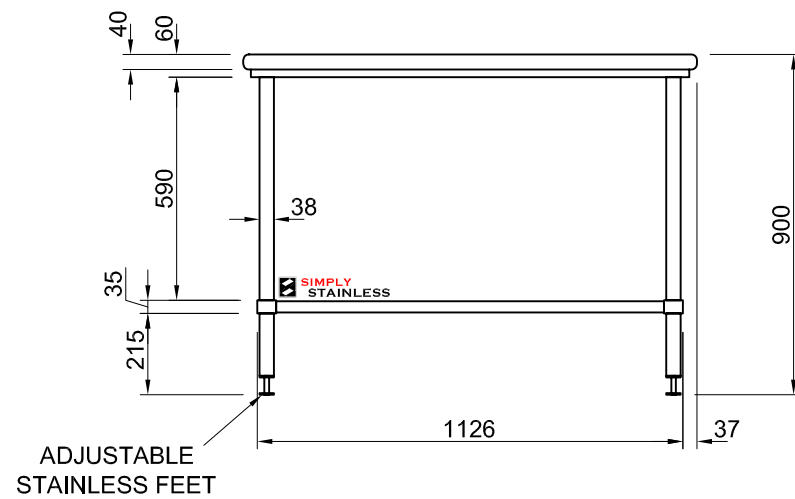
1. TOPS MADE FROM 20mm GRANITE STONE.
2. CORE MADE FROM 3.0mm ZINC ANNEAL.
3. FRAME MADE FROM Ø38mm STAINLESS STEEL TUBE.
4. UNDERSHELF MADE FROM 1.2mm STAINLESS STEEL.
5. FEET ARE ADJUSTABLE STAINLESS STEEL DISC SHAPED FEET.



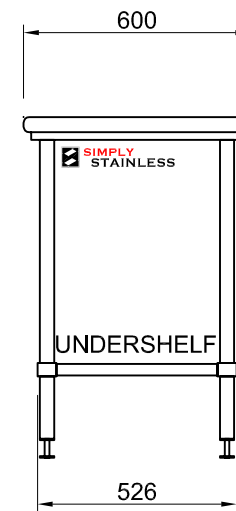
PLAN



GRANITE TOP DETAIL




FRONT ELEVATION



SIDE ELEVATION

23-1200

TOPS COME IN EITHER BLACK PEARL OR DOLLAMITE WHITE



www.simplystainless.com
Modular Sinks Tables and Shelving

CI GROUP PTY LTD COPYRIGHT ©

This drawing is the property of CI GROUP PTY LTD trading as Simply Stainless, and it may not be copied, reproduced or modified in whole or in part, without prior written permission of CI GROUP PTY LTD.

23-1200 GRANITE BENCH

SCALE 1:20

CONSTRUCTION NOTES:

1. TOPS MADE FROM 20mm GRANITE STONE.
2. CORE MADE FROM 3.0mm ZINC ANNEAL.
3. FRAME MADE FROM Ø38mm STAINLESS STEEL TUBE.
4. UNDERSHELF MADE FROM 1.2mm STAINLESS STEEL.
5. FEET ARE ADJUSTABLE STAINLESS STEEL DISC SHAPED FEET.