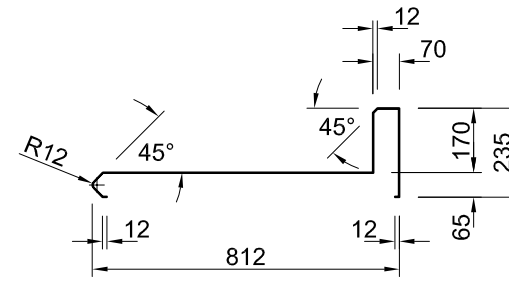
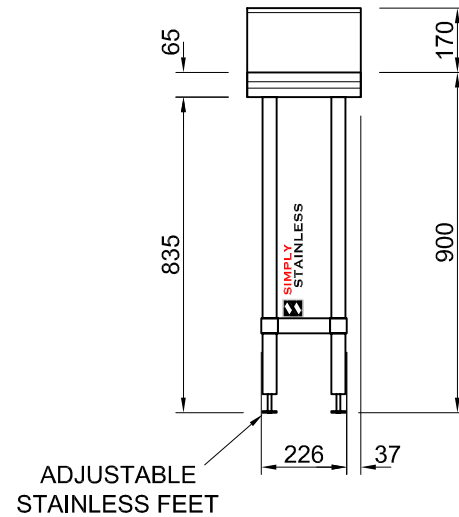


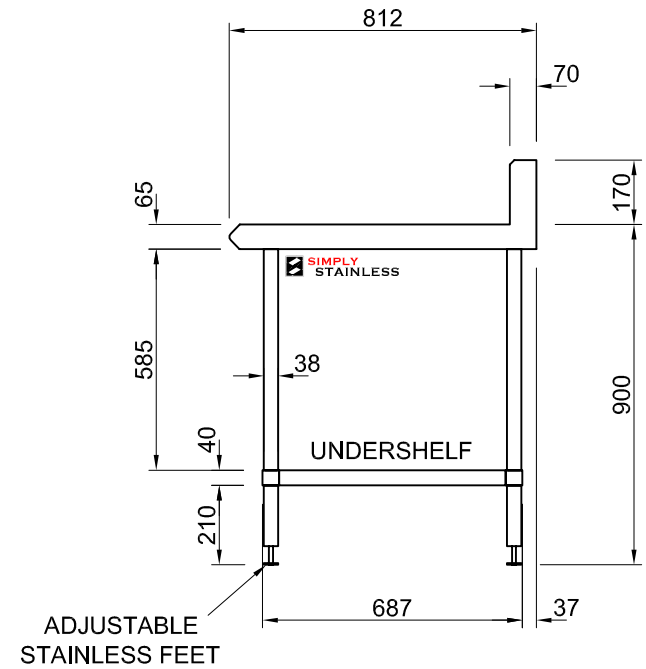
PLAN



BENCH TOP PROFILE



FRONT ELEVATION



SIDE ELEVATION

31-BS-0300



www.simplystainless.com  
Modular Sinks Tables and Shelving

CI GROUP PTY LTD COPYRIGHT ©

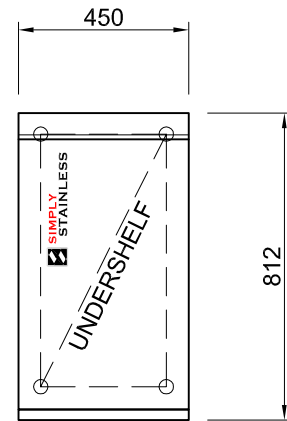
This drawing is the property of CI GROUP PTY LTD trading as Simply Stainless, and it may not be copied, reproduced or modified in whole or in part, without prior written permission of CI GROUP PTY LTD.

**31-BS-0300 BLUE SEAL  
INFILL BENCH**

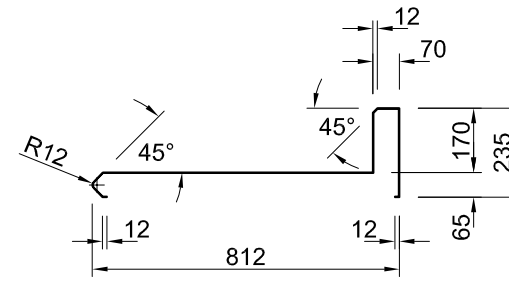
SCALE 1:20

CONSTRUCTION NOTES:

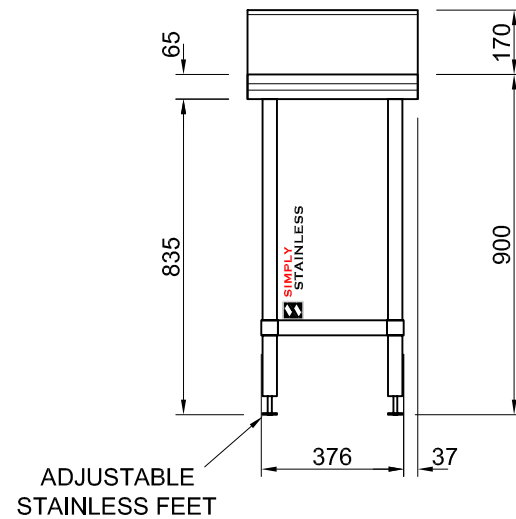
1. TOPS MADE FROM 1.2mm STAINLESS STEEL.
2. CORE MADE FROM 3.0mm ZINC ANNEAL.
3. FRAME MADE FROM Ø38mm STAINLESS STEEL TUBE.
4. UNDERSHELF MADE FROM 1.2mm STAINLESS STEEL.
5. FEET ARE ADJUSTABLE STAINLESS STEEL DISC SHAPED FEET.



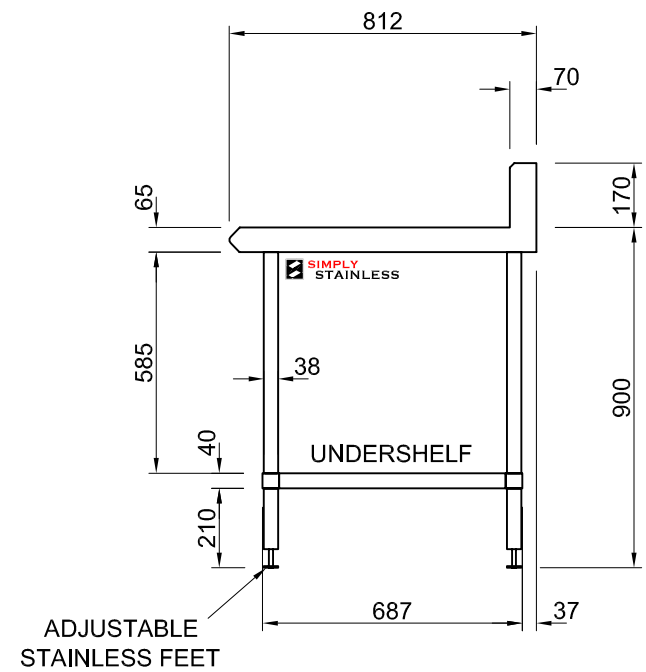
PLAN



BENCH TOP PROFILE



FRONT ELEVATION



SIDE ELEVATION

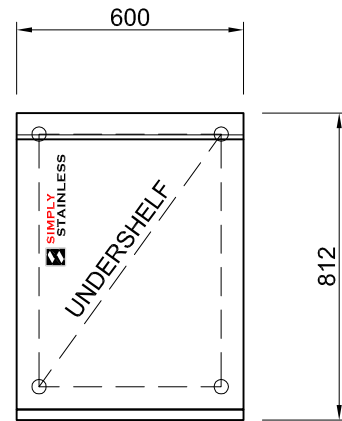
31-BS-0450


**SIMPLY STAINLESS**  
 www.simplystainless.com  
 Modular Sinks Tables and Shelving  
 CI GROUP PTY LTD COPYRIGHT ©  
 This drawing is the property of CI GROUP PTY LTD trading as Simply Stainless, and it may not be copied, reproduced or modified in whole or in part, without prior written permission of CI GROUP PTY LTD.  
**31-BS-0450 BLUE SEAL INFILL BENCH**

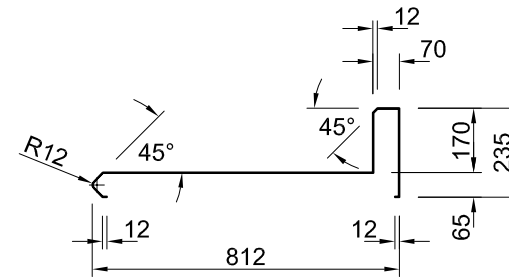
SCALE 1:20

CONSTRUCTION NOTES:

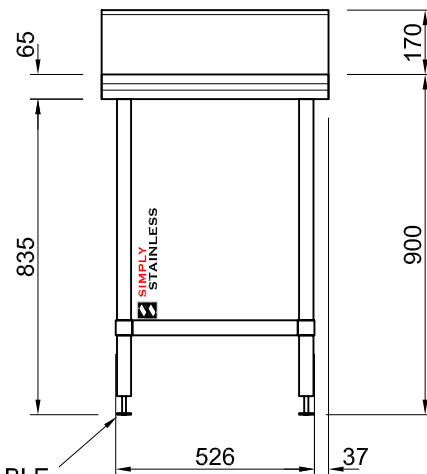
1. TOPS MADE FROM 1.2mm STAINLESS STEEL.
2. CORE MADE FROM 3.0mm ZINC ANNEAL.
3. FRAME MADE FROM Ø38mm STAINLESS STEEL TUBE.
4. UNDERSHELF MADE FROM 1.2mm STAINLESS STEEL.
5. FEET ARE ADJUSTABLE STAINLESS STEEL DISC SHAPED FEET.



PLAN

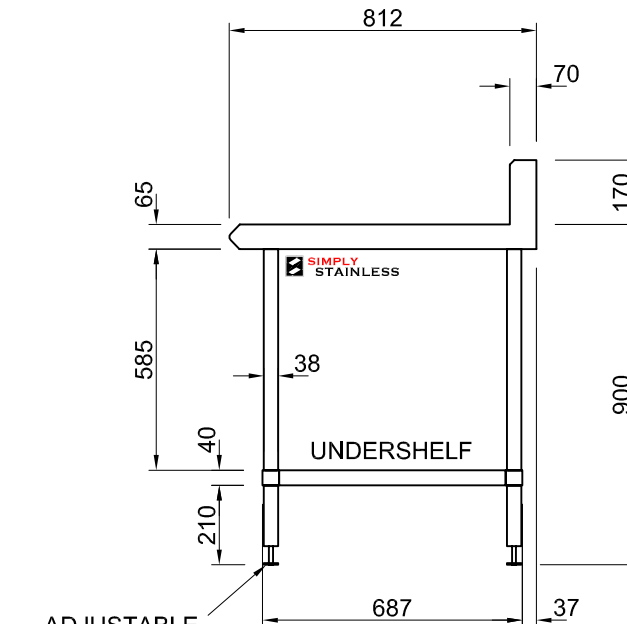


BENCH TOP PROFILE



ADJUSTABLE STAINLESS FEET

FRONT ELEVATION



ADJUSTABLE STAINLESS FEET

SIDE ELEVATION

31-BS-0600



www.simplystainless.com  
Modular Sinks Tables and Shelving

CI GROUP PTY LTD COPYRIGHT ©

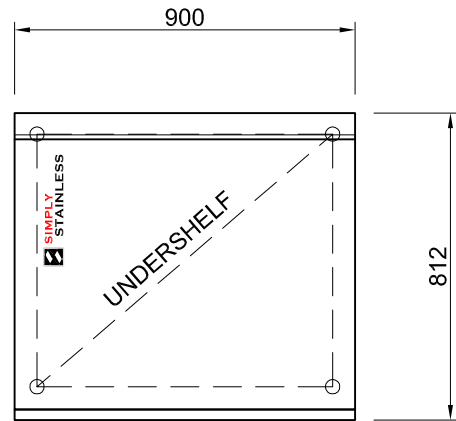
This drawing is the property of CI GROUP PTY LTD trading as Simply Stainless, and it may not be copied, reproduced or modified in whole or in part, without prior written permission of CI GROUP PTY LTD.

**31-BS-0600 BLUE SEAL  
INFILL BENCH**

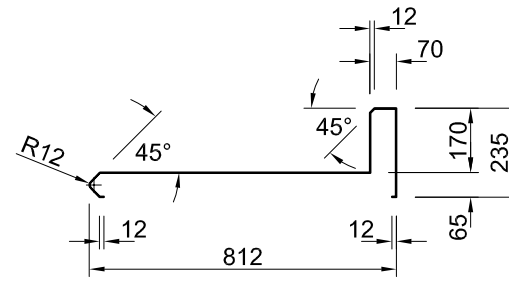
SCALE 1:20

CONSTRUCTION NOTES:

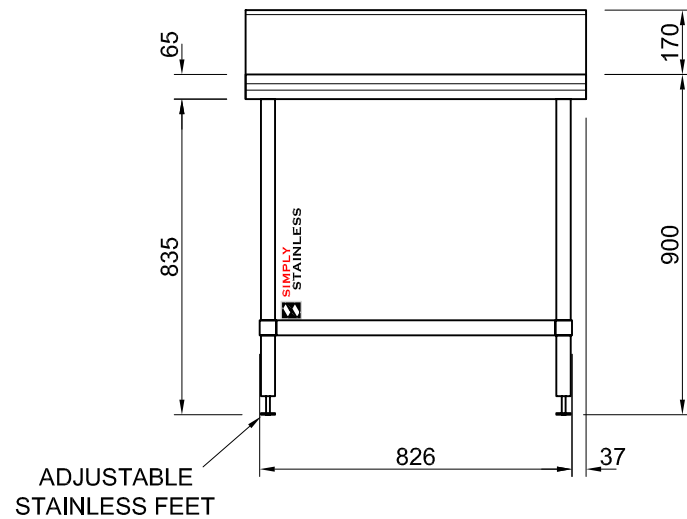
1. TOPS MADE FROM 1.2mm STAINLESS STEEL.
2. CORE MADE FROM 3.0mm ZINC ANNEAL.
3. FRAME MADE FROM Ø38mm STAINLESS STEEL TUBE.
4. UNDERSHELF MADE FROM 1.2mm STAINLESS STEEL WITH STAINLESS STEEL SUPPORTS.
5. FEET ARE ADJUSTABLE STAINLESS STEEL DISC SHAPED FEET.



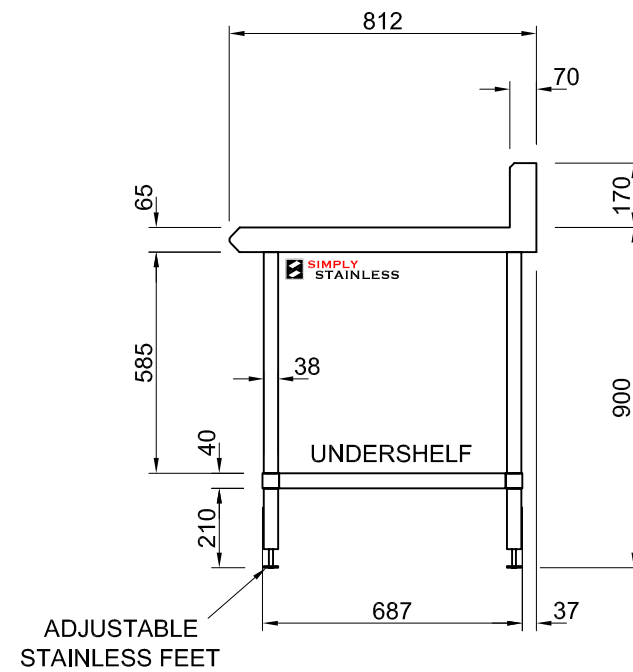
PLAN



BENCH TOP PROFILE



FRONT ELEVATION



SIDE ELEVATION

31-BS-0900



www.simplystainless.com  
Modular Sinks Tables and Shelving

CI GROUP PTY LTD COPYRIGHT ©

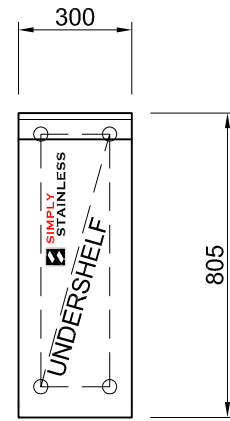
This drawing is the property of CI GROUP PTY LTD trading as Simply Stainless, and it may not be copied, reproduced or modified in whole or in part, without prior written permission of CI GROUP PTY LTD.

**31-BS-0900 BLUE SEAL INFILL BENCH**

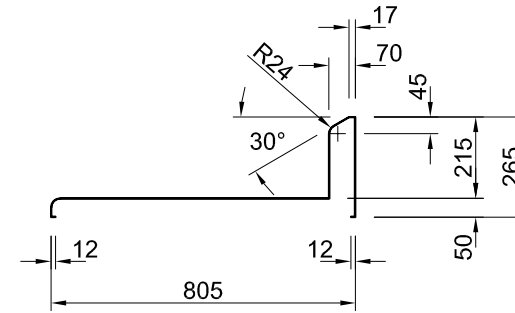
SCALE 1:20

CONSTRUCTION NOTES:

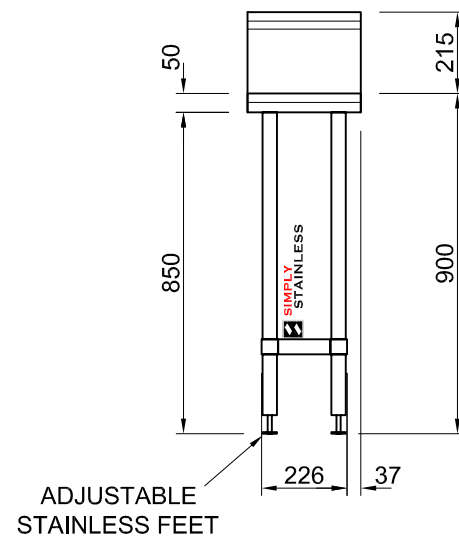
1. TOPS MADE FROM 1.2mm STAINLESS STEEL.
2. CORE MADE FROM 3.0mm ZINC ANNEAL.
3. FRAME MADE FROM Ø38mm STAINLESS STEEL TUBE.
4. UNDERSHELF MADE FROM 1.2mm STAINLESS STEEL WITH STAINLESS STEEL SUPPORTS.
5. FEET ARE ADJUSTABLE STAINLESS STEEL DISC SHAPED FEET.



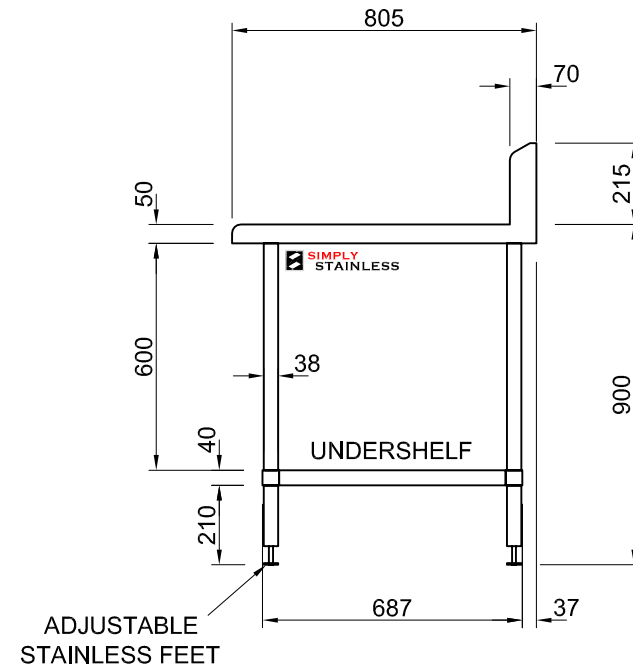
PLAN



BENCH TOP PROFILE




FRONT ELEVATION



SIDE ELEVATION

31-W-0300



www.simplystainless.com  
Modular Sinks Tables and Shelving

CI GROUP PTY LTD COPYRIGHT ©

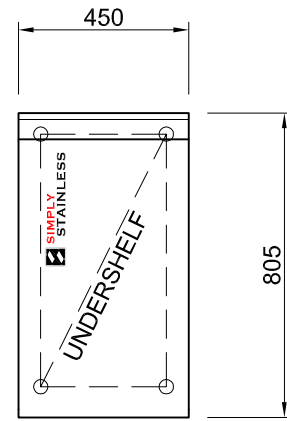
This drawing is the property of CI GROUP PTY LTD trading as Simply Stainless, and it may not be copied, reproduced or modified in whole or in part, without prior written permission of CI GROUP PTY LTD.

**31-W-0300 WALDORF  
INFILL BENCH**

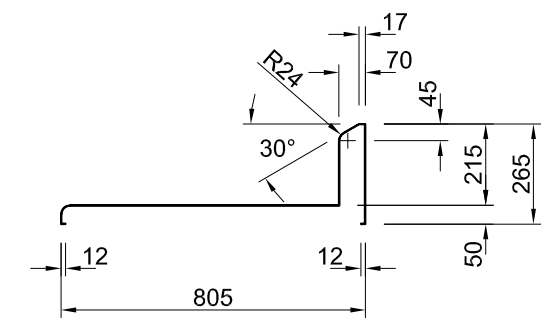
SCALE 1:20

CONSTRUCTION NOTES:

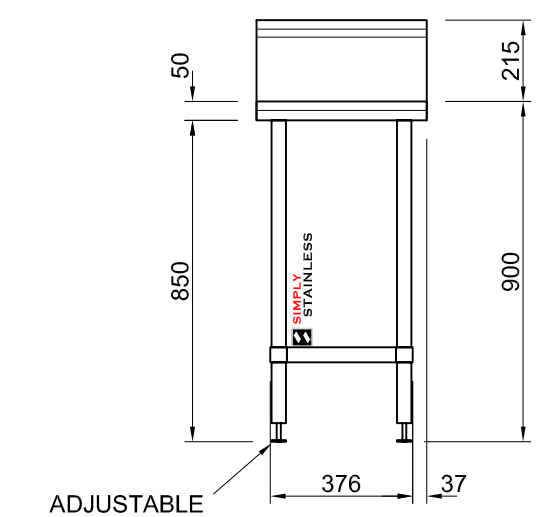
1. TOPS MADE FROM 1.2mm STAINLESS STEEL.
2. CORE MADE FROM 3.0mm ZINC ANNEAL.
3. FRAME MADE FROM Ø38mm STAINLESS STEEL TUBE.
4. UNDERSHELF MADE FROM 1.2mm STAINLESS STEEL WITH STAINLESS STEEL SUPPORTS.
5. FEET ARE ADJUSTABLE STAINLESS STEEL DISC SHAPED FEET.



PLAN

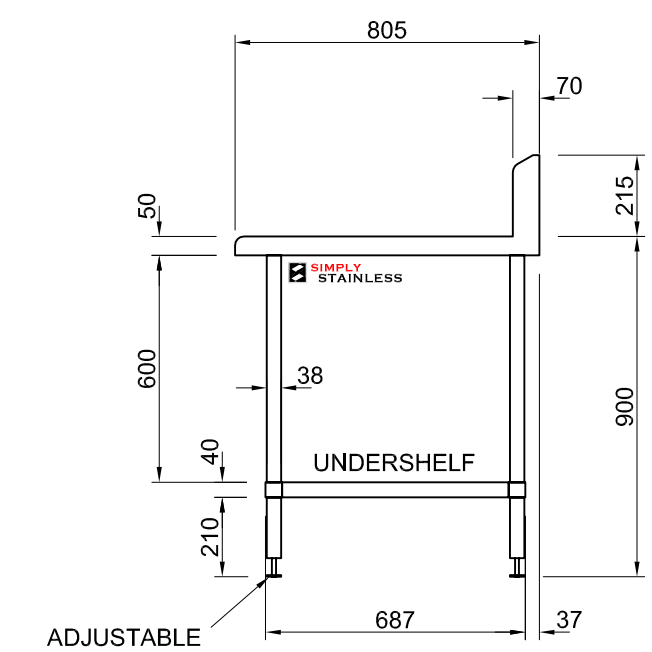


BENCH TOP PROFILE



ADJUSTABLE STAINLESS FEET

FRONT ELEVATION



ADJUSTABLE STAINLESS FEET

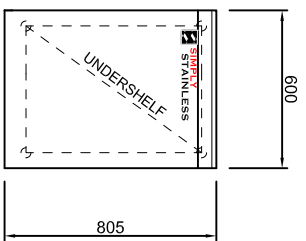
SIDE ELEVATION

31-W-0450

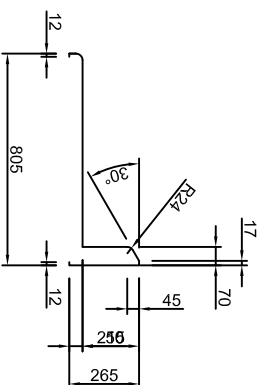
**SIMPLY STAINLESS**  
 www.simplystainless.com  
 Modular Sinks Tables and Shelving  
 CI GROUP PTY LTD COPYRIGHT ©  
 This drawing is the property of CI GROUP PTY LTD trading as Simply Stainless, and it may not be copied, reproduced or modified in whole or in part, without prior written permission of CI GROUP PTY LTD.  
**31-W-0450 WALDORF INFILL BENCH**

SCALE 1:20

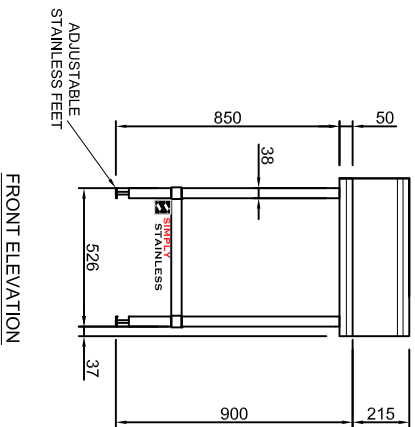
- CONSTRUCTION NOTES:**
1. TOPS MADE FROM 1.2mm STAINLESS STEEL.
  2. CORE MADE FROM 3.0mm ZINC ANNEAL.
  3. FRAME MADE FROM Ø38mm STAINLESS STEEL TUBE.
  4. UNDERSHELF MADE FROM 1.2mm STAINLESS STEEL WITH STAINLESS STEEL SUPPORTS.
  5. FEET ARE ADJUSTABLE STAINLESS STEEL DISC SHAPED FEET.



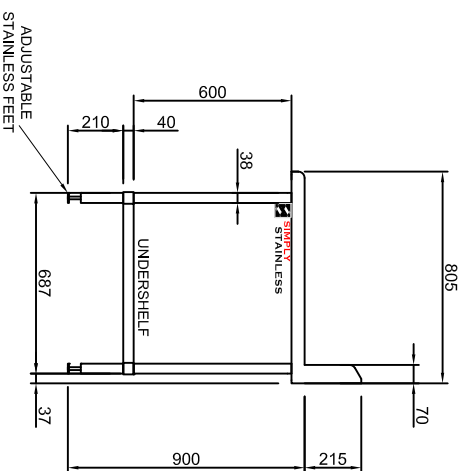
PLAN



BENCH TOP PROFILE



FRONT ELEVATION



SIDE ELEVATION

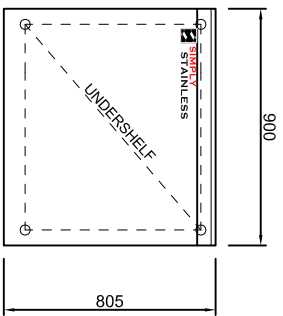
**31-W-0600**

|  |  |
|--|--|
|  <p>CI GROUP PTY LTD COPYRIGHT ©<br/>www.simplystainless.com<br/>Incorporated in South Africa</p> | <p>This drawing is the property of CI GROUP PTY LTD trading as SIMPLY STAINLESS, and it may not be copied, reproduced or modified in whole or in part, without prior written permission of CI GROUP PTY LTD.</p> |
| <p><b>31-W-0600 WALDORF<br/>INFILL BENCH</b></p>   |  |

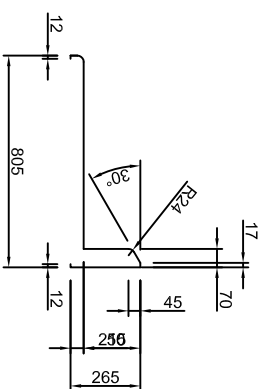
SCALE 1:20

**CONSTRUCTION NOTES:**

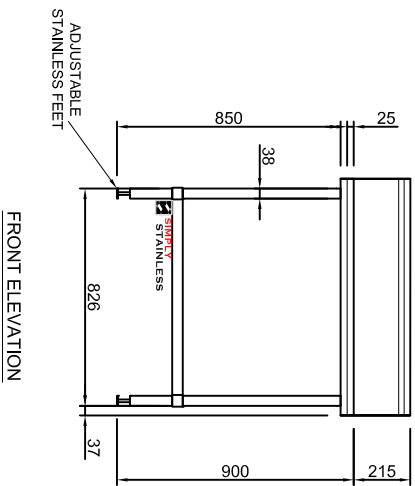
1. TOPS MADE FROM 1,2mm STAINLESS STEEL.
2. CORE MADE FROM 3,0mm ZINC ANNEAL.
3. FRAME MADE FROM Ø38mm STAINLESS STEEL TUBE.
4. UNDERSHELF MADE FROM 1,2mm STAINLESS STEEL WITH STAINLESS STEEL SUPPORTS.
5. FEET ARE ADJUSTABLE STAINLESS STEEL DISC SHAPED FEET.



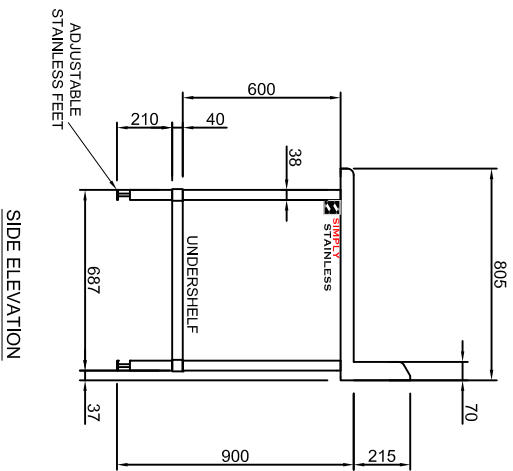
PLAN



BENCH TOP PROFILE



FRONT ELEVATION



SIDE ELEVATION

**31-W-0900**

|  |  |
|--|--|
|  <p>CI GROUP PTY LTD COPYRIGHT ©<br/>www.simplystainless.com<br/>Modular Stairs, Tables and Shelving</p> <p>This drawing is the property of CI GROUP PTY LTD trading as SIMPLY STAINLESS, and it may not be copied, reproduced or modified in whole or in part, without prior written permission of CI GROUP PTY LTD.</p> | <p><b>31-W-0900 WALDORF<br/>INFILL BENCH</b></p> |
|--|--|

SCALE 1:20

**CONSTRUCTION NOTES:**

1. TOPS MADE FROM 1,2mm STAINLESS STEEL.
2. CORE MADE FROM 3,0mm ZINC ANNEAL.
3. FRAME MADE FROM 0,38mm STAINLESS STEEL TUBE.
4. UNDERSHELF MADE FROM 1,2mm STAINLESS STEEL WITH STAINLESS STEEL SUPPORTS.
5. FEET ARE ADJUSTABLE STAINLESS STEEL DISC SHAPED FEET.