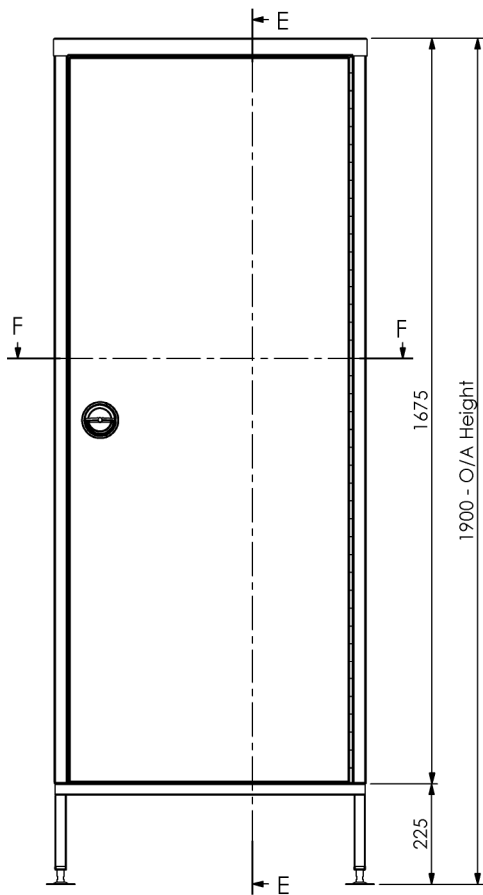
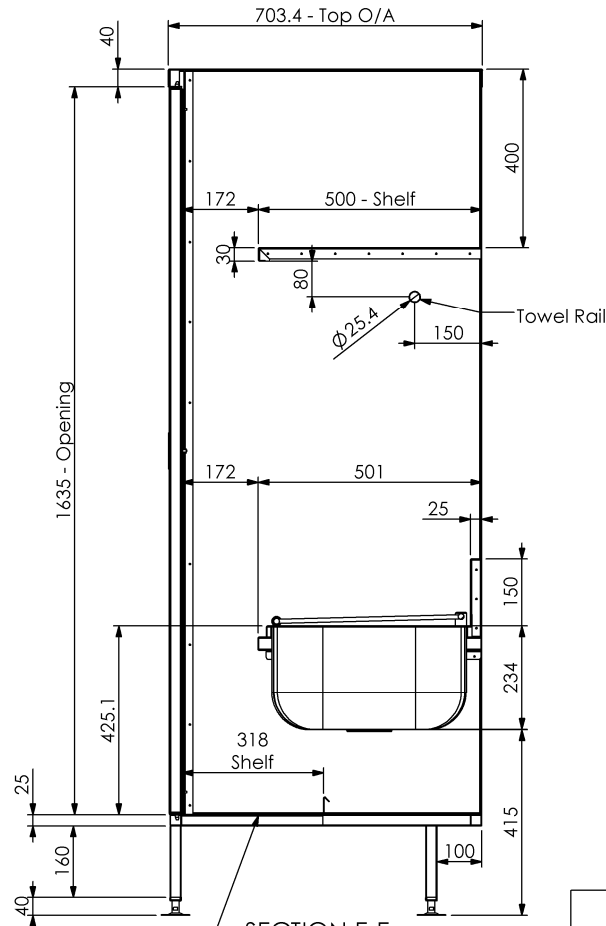


SECTION F-F

General Construction  
1.2mm 304 S/S No.4



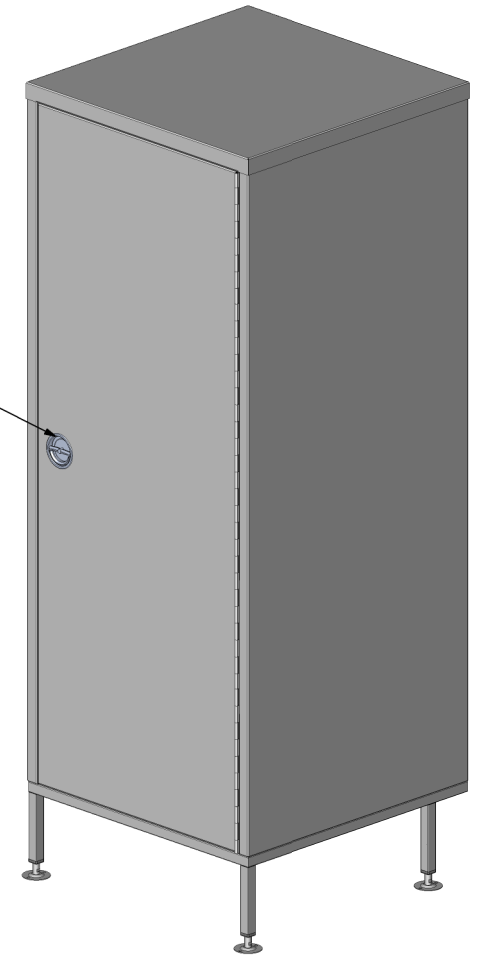
FRONT ELEVATION



SECTION E-E

Stitch weld base frame  
to body & Mop polish

Door Lock  
- Top & Bottom  
Locking Rods



ISOMETRIC VIEW



www.stoddart.com.au

				PART No: <b>SPPL-CA-CC1-FS A1</b>	
DRAWN	NAME	SIGNATURE	DATE	UNLESS OTHERWISE SPECIFIED: DIMENSIONS ARE IN MILLIMETERS	
APPV'D	S Ellis		21/07/2015	DESCRIPTION: Cleaners Cupboard	
Weight:				MATERIAL:	Dwg. Issue
Surface Area:				THICKNESS:	1
DO NOT SCALE DRAWING				This drawing remains the property of Tom Stoddart Pty Ltd ABN 16 009 690 251 & cannot be reproduced without prior permission. A3 Sheet 1 of 25	