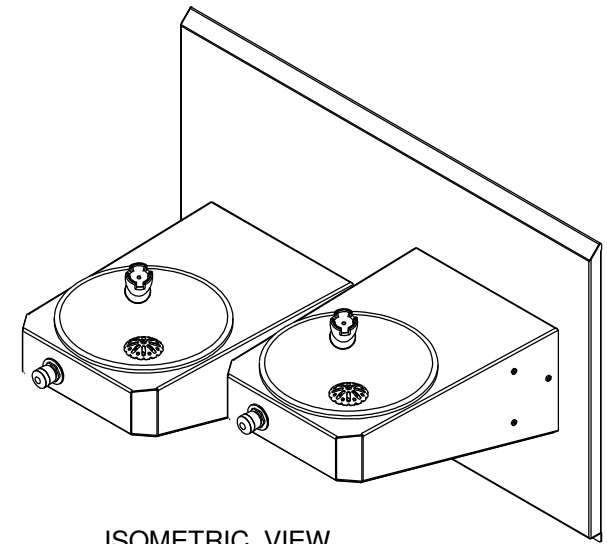
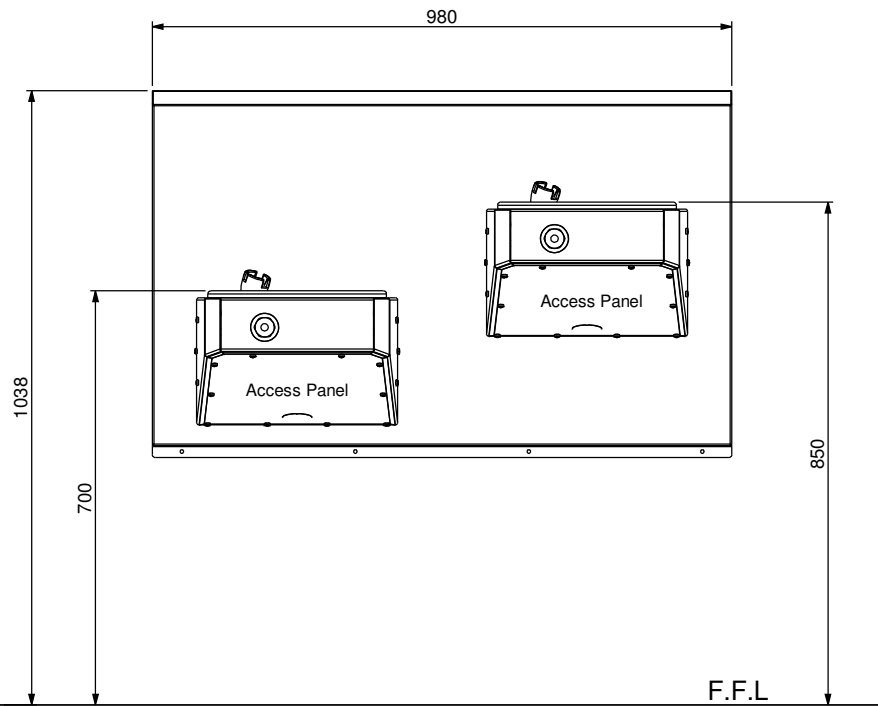


PLAN VIEW

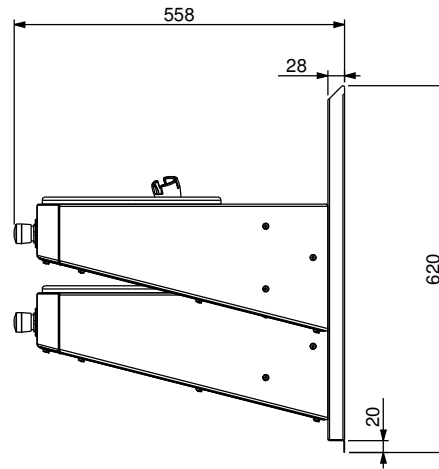
Splashback Panel : 1.2 304 NO.4 S/S
Basin Body Panel : 1.5 304 NO.4 S/S
Access Panel : 1.5 304 NO.4 S/S



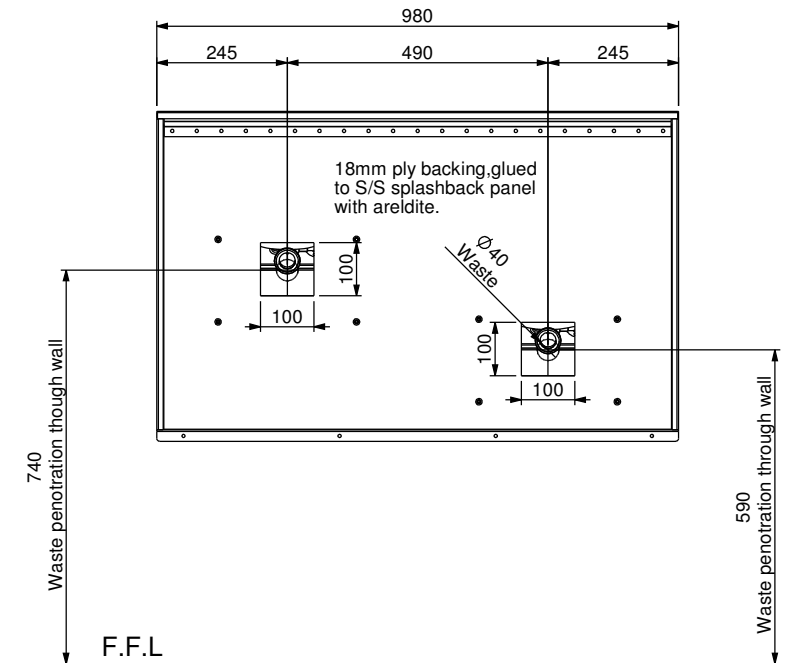
ISOMETRIC VIEW



FRONT VIEW



END VIEW



REAR VIEW

REVISION TABLE

REV.	REVISED BY	DATE	REVISION DESCRIPTION	STATUS
A	J Pickels	08/04/2010	Never released to floor	
B	J Pickels	15/03/2011	Bubbler and valve changed, holes to basin body changed	For manufacture
C	J Pickels	27/03/2012	Drink fountains changed to old style	For manufacture



**STODDART
MANUFACTURING**

TOM STODDART Pty Ltd ACN 009 690 251
 215 Jackson Rd Sunnybank Hills Qld 4109
 PO Box 420 Sunnybank Qld 4109
 Phone (617) 3344 2444 Fax (617) 3345 6403
 Email sunnybank@stoddart.com.au
Quality in stainless steel

DRAWN: J Pickels				DATE: 8/04/2010	UNLESS OTHERWISE SPECIFIED: DIMENSIONS ARE IN MILLIMETERS	PART No: SPPL-DF-MD-WM Rev C		
APPV'D:							DESCRIPTION: Dual Wall Mounted Drink Fountain	
Weight:					MATERIAL:		DWG No: SPPL-DF-MD-WM Rev C	
Surface Area:					THICKNESS: FINISH:			Dwg. Issue 1
DO NOT SCALE DRAWING				This drawing remains the property of Tom Stoddart Pty Ltd & cannot be reproduced without prior permission.				A3
								Sheet 1 of 9