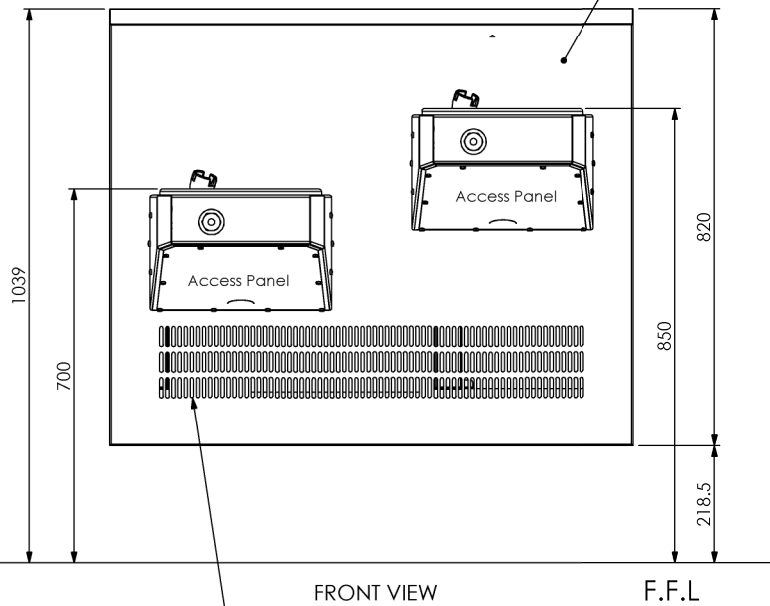


PLAN VIEW



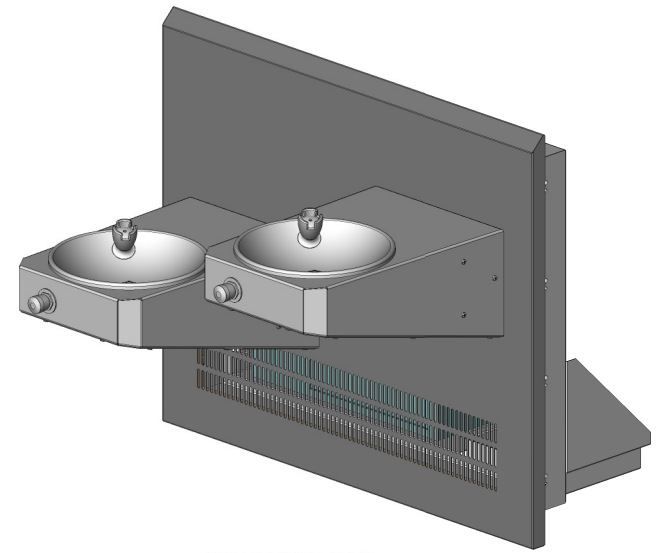
FRONT VIEW

F.F.L

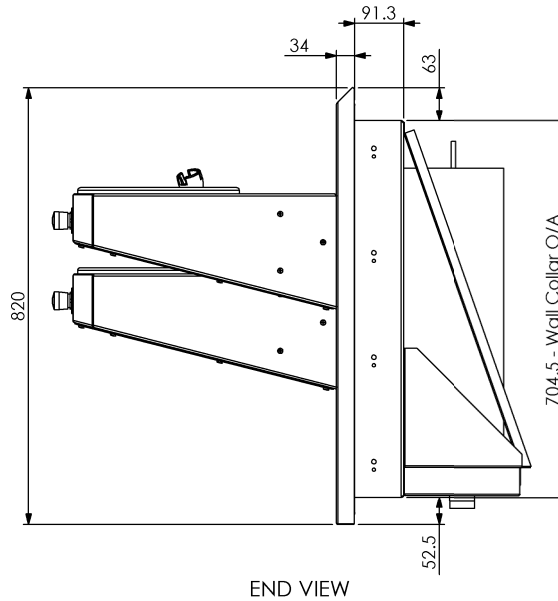
Ventilation Slots - 6.5 x 38mm
Effective Vent Area .05 m2

Material Specifications

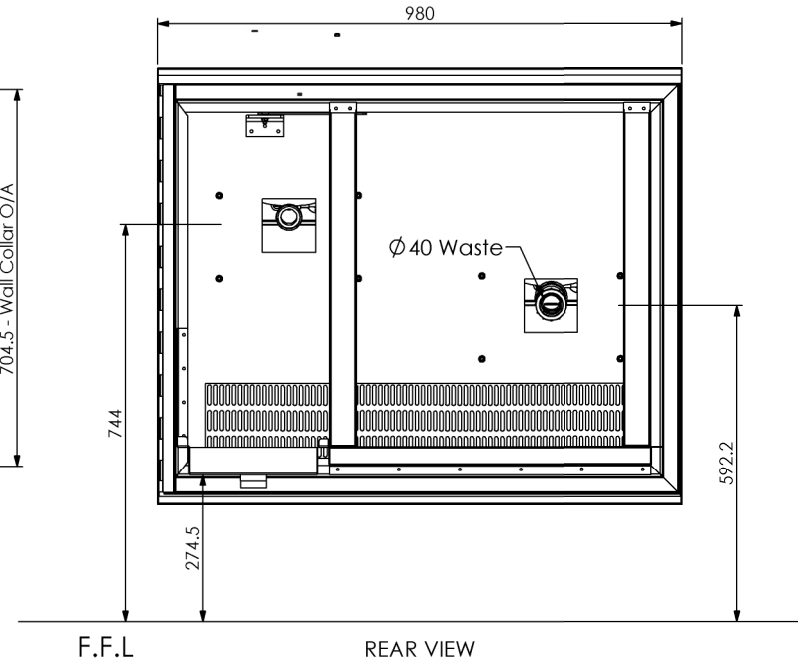
- Splashback Panel - 1.2mm 304 No.4 S/S
- Basin Body Panel - 1.5mm 304 No.4 S/S
- Access Panel - 1.5mm 304 No.4 S/S
- Wall Collar - 2.0mm 304 No.4 S/S
- Tundish - 1.2mm 304 No.4 S/S
- Inner Brackets - 1.2mm 304 No.4 S/S



ISOMETRIC VIEW



END VIEW



F.F.L

REAR VIEW



STODDART
MANUFACTURING
TOM STODDART Pty Ltd ACN 009 690 251
149 Jackson Rd Sunnybank Hills Qld 4109
PO Box 420 Sunnybank Qld 4109
Phone (617) 3345 5011 Fax (617) 3344 1000
Email sunnybank@stoddart.com.au
Quality in stainless steel

DRAWN S Ellis				DATE 7/04/2010	UNLESS OTHERWISE SPECIFIED: DIMENSIONS ARE IN MILLIMETERS	PART No: SPPL-DF-MD-WM-HC A1
APPVD				MATERIAL:		DESCRIPTION: Dual Wall Mounted Drink Fountain
Weight:		THICKNESS:		FINISH:		DWG No: SPPL-DF-MD-WM-HC-d01 A1
Surface Area:						Dwg. Issue 1
DO NOT SCALE DRAWING				This drawing remains the property of Tom Stoddart Pty Ltd & cannot be reproduced without prior permission.		A3
						Sheet 1 of 28