

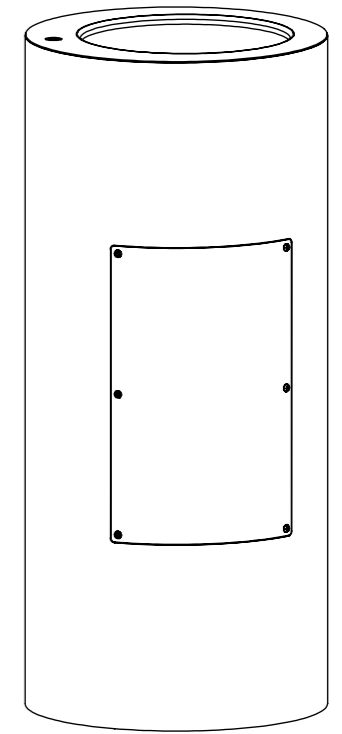
PLAN VIEW

**Product Details**

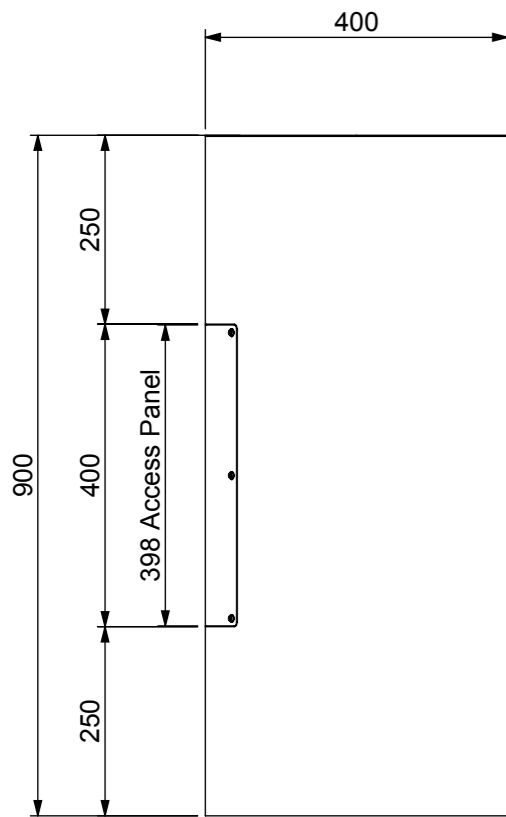
Waste : 40mm  
 Water Connection : 1/2" BSP



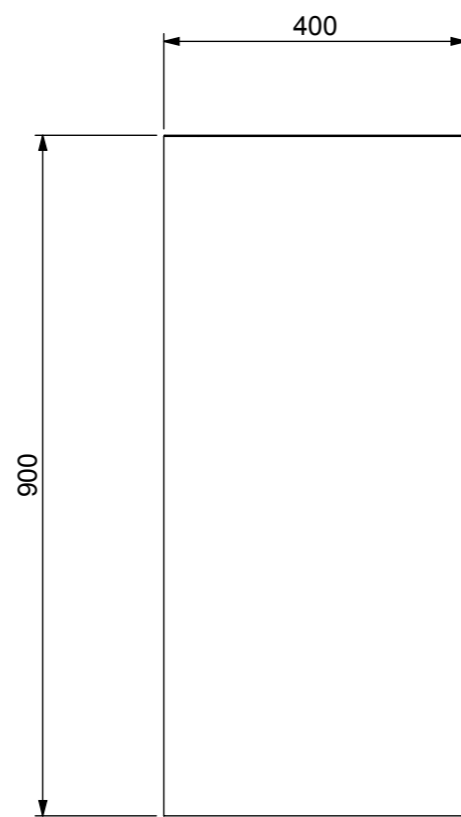
ISOMETRIC VIEW



ISOMETRIC VIEW (SHOWING ACCESS PANEL)

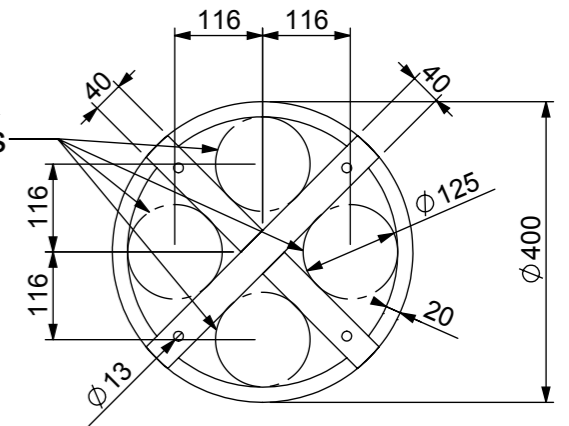


FRONT VIEW



END VIEW

Suggested pipework penetration positions



(front of unit)

BASE PLATE

**STODDART**  
 Manufacturing  
 TOM STODDART Pty Ltd ACN 009 690 251  
 215 Jackson Rd Sunnybank Hills Qld 4109  
 PO Box 420 Sunnybank Qld 4109  
 Phone (617) 3345 5011 Fax (617) 3344 1000  
 Email sunnybank@stoddart.com.au  
*Quality in stainless steel*

Press:		Programmed by:		Date:	Punch:	Die:
PRODUCT: Drinking Fountain-Round-Freestanding				PART No: <b>SPPL-DF-R-FS-a001</b>		
DRAWN	J Pickels	SIGNATURE	DATE	UNLESS OTHERWISE SPECIFIED: DIMENSIONS ARE IN MILLIMETERS		DESCRIPTION: General Drawing
APPVD				MATERIAL:		REVISION
			THICKNESS:		DWG No: SPPL-DF-R-FS-d001	
			FINISH:		B	
DO NOT SCALE DRAWING				This drawing remains the property of Tom Stoddart Pty Ltd & cannot be reproduced without prior permission.		A3
				Sheet 1 of 10		