

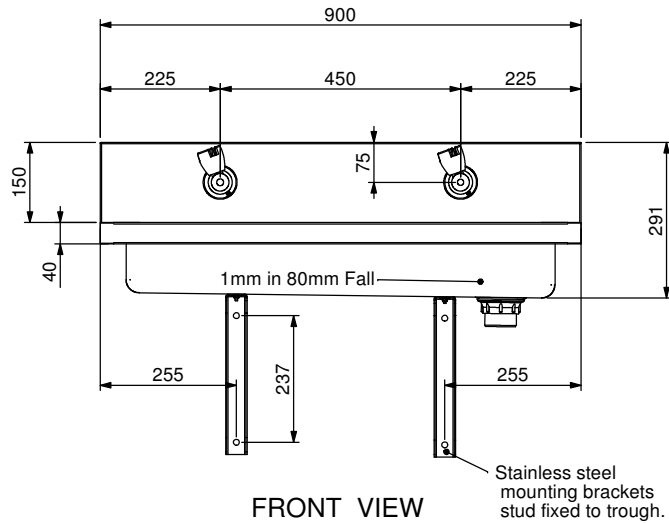
PLAN VIEW

R/H WASTE SHOWN

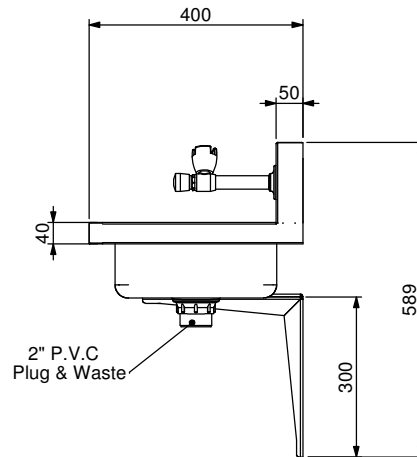
L/H WASTE & CENTRE WASTE AVAILABLE

MATERIALS : Trough - 1.2 304 No.4 S/S

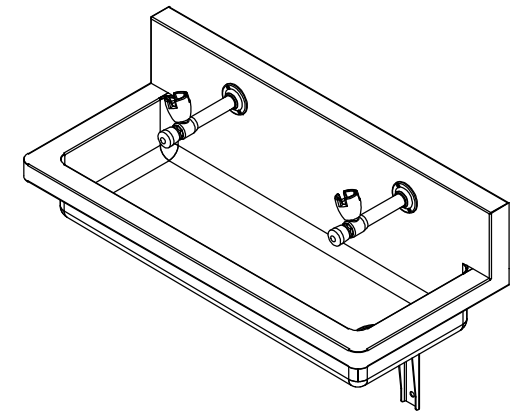
Brackets - 2.0 304 No.4 S/S







FRONT VIEW



END VIEW

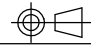


ISOMETRIC VIEW

	If ordering trough with Galvin Cam bubblers, Component - CMPL.0546 Order no. SPPL.DT.V.S7.R.0900.PGC	Tick box if required <input type="checkbox"/>
	If ordering trough with Galvin Lever bubblers, Component - CMPL.0547 Order no. SPPL.DT.V.S7.R.0900.PGL	Tick box if required <input type="checkbox"/>
	If ordering trough with Galvin Push bubblers, Component - CMPL.0548 Order no. SPPL.DT.V.S7.R.0900.PGP	Tick box if required <input type="checkbox"/>
	If ordering trough with Galvin Push deluxe Bib, Component - CMPL.0545 Order no. SPPL.WT.V.S7.R.0900.PGP	Tick box if required <input type="checkbox"/>
	If ordering trough with Standard tapholes and NO tapware , Order no. SPPL.WT.V.S7.R.0900	Tick box if required <input type="checkbox"/>
	If ordering trough with NO tapholes and NO tapware , Order no. SPPL.WT.V.S7.R.0900.NT	Tick box if required <input type="checkbox"/>

REV/VER.	REVISED BY	DATE	REVISION DESCRIPTION	STATUS
A		24/07/2014		For Manufacture

STODDART
MANUFACTURING
TOM STODDART Pty Ltd
ACN 009 690 251
www.stoddart.com.au

PART No: SPPL-DT-V-S7-R-0900-P A1				DESCRIPTION: R/H Drinking Trough	
DRAWN	J Pickels	SIGNATURE	DATE	UNLESS OTHERWISE SPECIFIED: DIMENSIONS ARE IN MILLIMETERS	
APPV'D			14/04/2010	MATERIAL:	
Weight: 13.71 kg				THICKNESS:	
Surface Area: 2.66 M2				FINISH:	
DO NOT SCALE DRAWING				This drawing remains the property of Tom Stoddart Pty Ltd & cannot be reproduced without prior permission.	
				A3	Sheet 1 of 3

Dwg. Issue
1