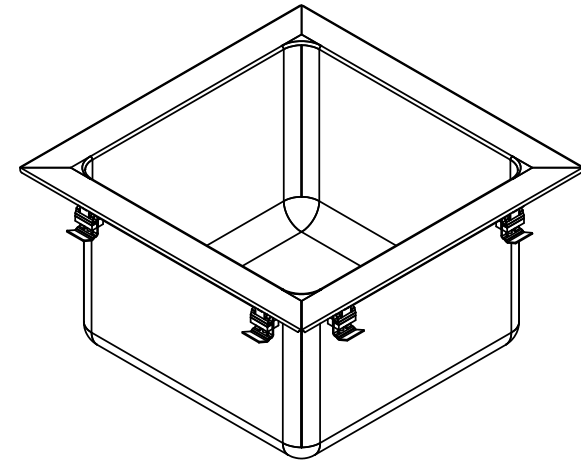
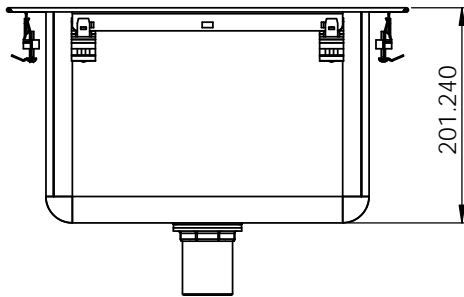


PLAN VIEW



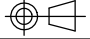
ISOMETRIC VIEW



SIDE VIEW



**STODDART  
MANUFACTURING**  
TOM STODDART Pty Ltd ACN 009 690 251  
149 Jackson Rd Sunnybank Hills Qld 4109  
PO Box 420 Sunnybank Qld 4109  
Phone (617) 3345 5011 Fax (617) 3344 1000  
Email sunnybank@stoddart.com.au  
*Quality in stainless steel*

				PART No: <b>SPPL-LB-DI-a001</b>	
DRAWN	Y Vasdekis	SIGNATURE	DATE	UNLESS OTHERWISE SPECIFIED: DIMENSIONS ARE IN MILLIMETERS	
APP'VD			22/03/2011	DESCRIPTION: Lab Bowl Drop In	
Weight: 3.90 kg Surface Area: 0.88 M2				MATERIAL:	DWG No: SPPL-LB-DI-a001
DO NOT SCALE DRAWING				THICKNESS:	
This drawing remains the property of Tom Stoddart Pty Ltd & cannot be reproduced without prior permission.				FINISH:	2
				A3	Sheet 1 of 5