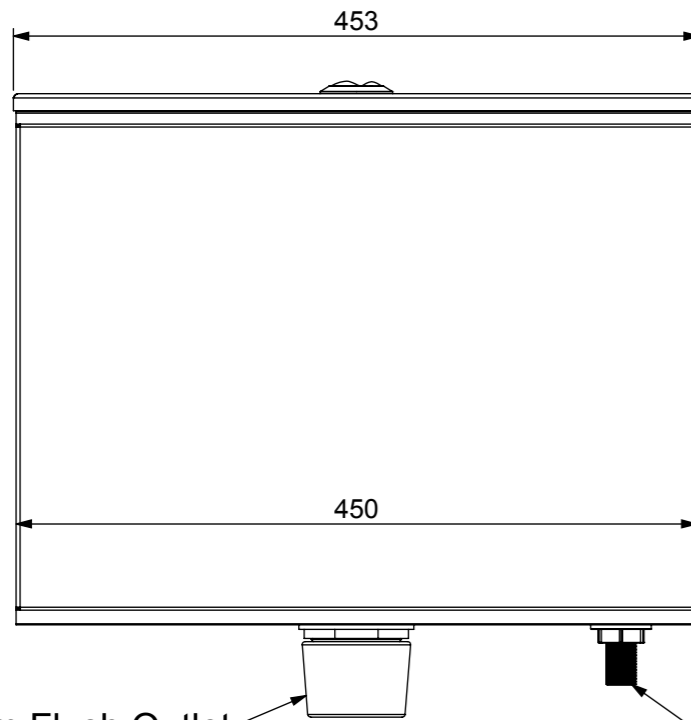


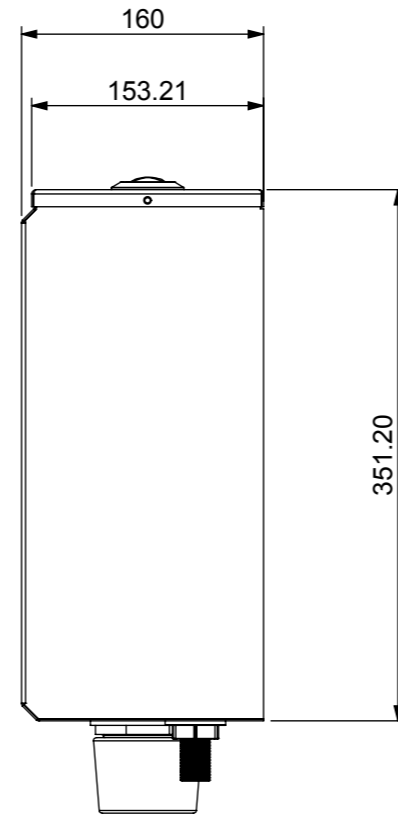
PLAN VIEW



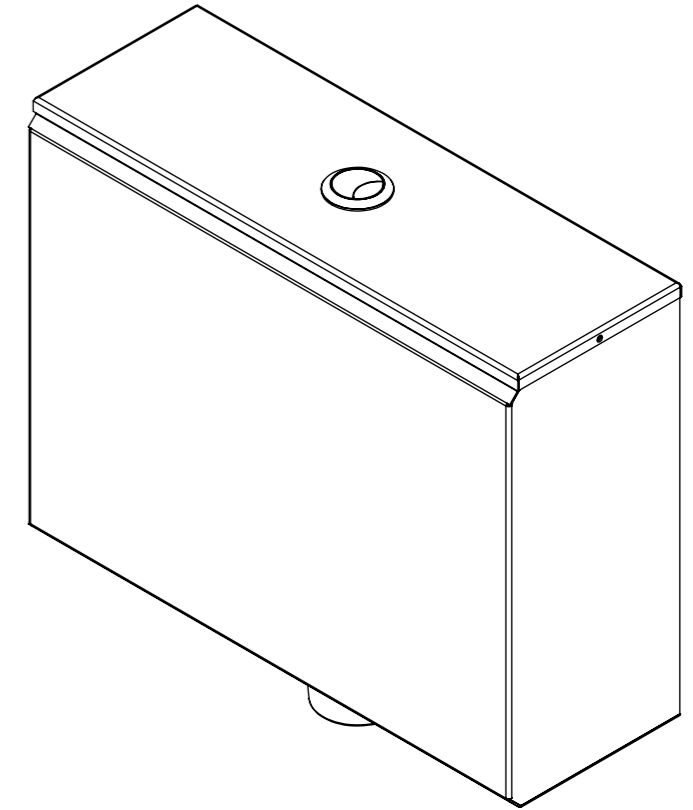
50mm Flush Outlet

20mm Water Inlet

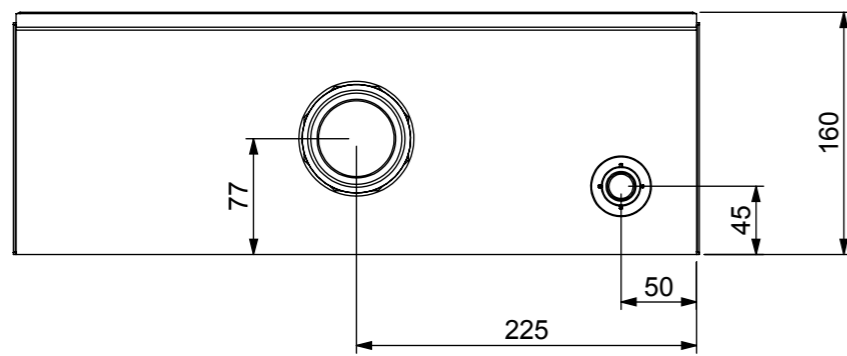
FRONT VIEW



END VIEW



ISOMETRIC VIEW




BOTTOM VIEW



**STODDART
MANUFACTURING**

TOM STODDART Pty Ltd ACN 009 690 251
149 Jackson Rd Sunnybank Hills Qld 4109
PO Box 420 Sunnybank Qld 4109
Phone (617) 3345 5011 Fax (617) 3344 1000
Email sunnybank@stoddart.com.au

Quality in stainless steel

				PART No: SPPL-FD-CI-MD-A001	
DRAWN	D Haidley	SIGNATURE	DATE	UNLESS OTHERWISE SPECIFIED: DIMENSIONS ARE IN MILLIMETERS	DESCRIPTION: Dual Flush Cistern
APPVD			28/07/2008	MATERIAL: 304 No 4 S/S	
Weight: 7.87 kg				THICKNESS:	DWG No: SPPL-FD-CI-MD-D001
Surface Area: 1.48 M2				FINISH:	Dwg. Issue 2
DO NOT SCALE DRAWING			This drawing remains the property of Tom Stoddart Pty Ltd & cannot be reproduced without prior permission.		A3
					Sheet 1 of 8