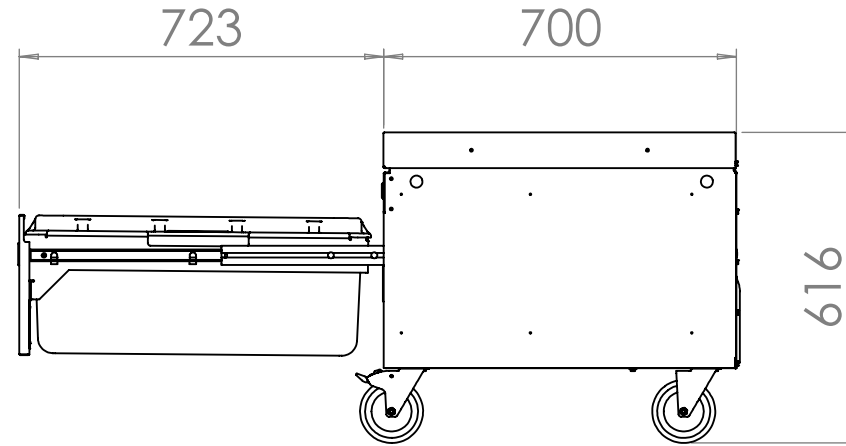
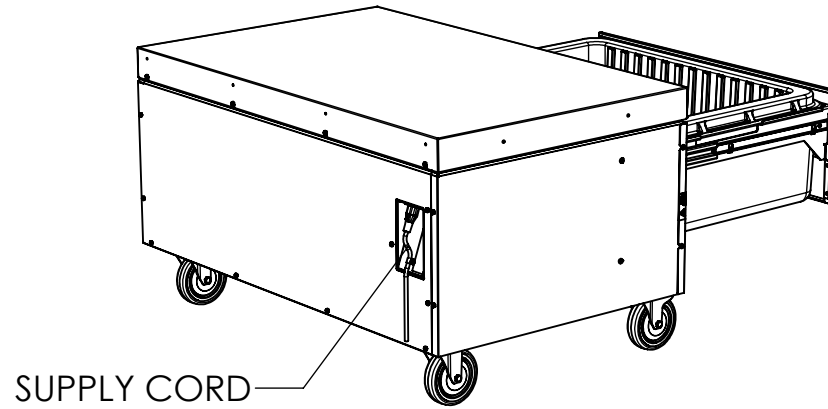
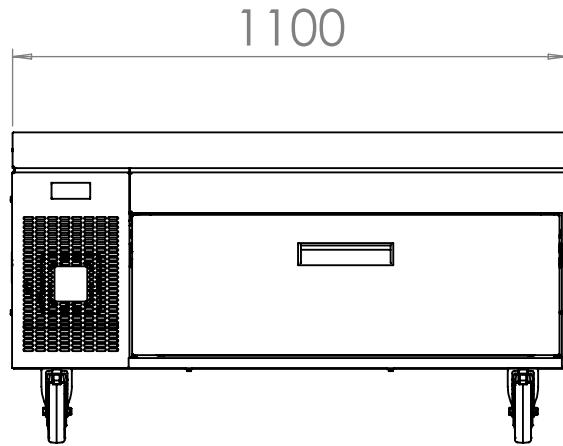
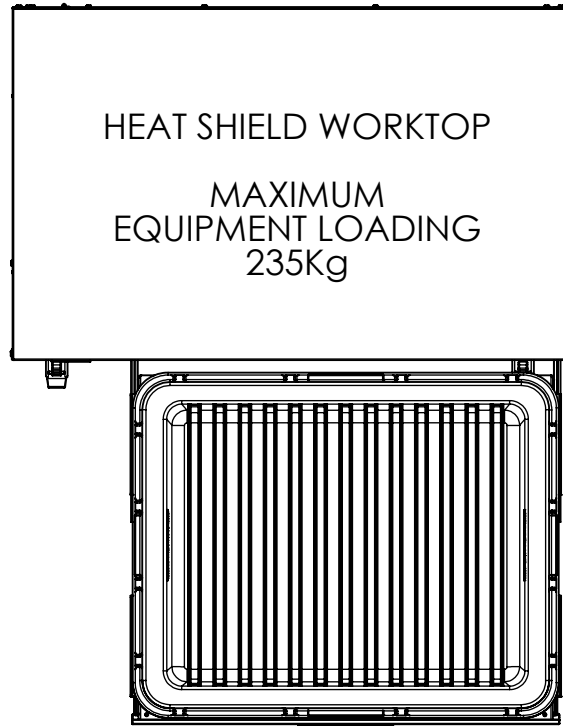


CONFIDENTIALITY: The information in this drawing is the property of Applied Design and Engineering Limited and is to be held in confidence by the recipient. No copy is to be made without the written permission of Applied Design and Engineering Limited. Disclosure of any such information is to be made only to those employees of the recipient who need to use the information and it is the responsibility of the recipient to bind any such information in strict confidence. Furthermore, any patent applications, know-how, trade secrets or other confidential information disclosed to the recipient are to be held in confidence by the recipient and as such are subject to the obligation of confidence on the recipient set out above. No alteration to this document may be made without the permission of Applied Design and Engineering Limited.



PRODUCT ~ Key Dimensions

Description:

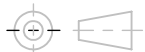
Side engine, 1 stack, high castor base, heat shield worktop

Order Code:

VCS1/HCHS

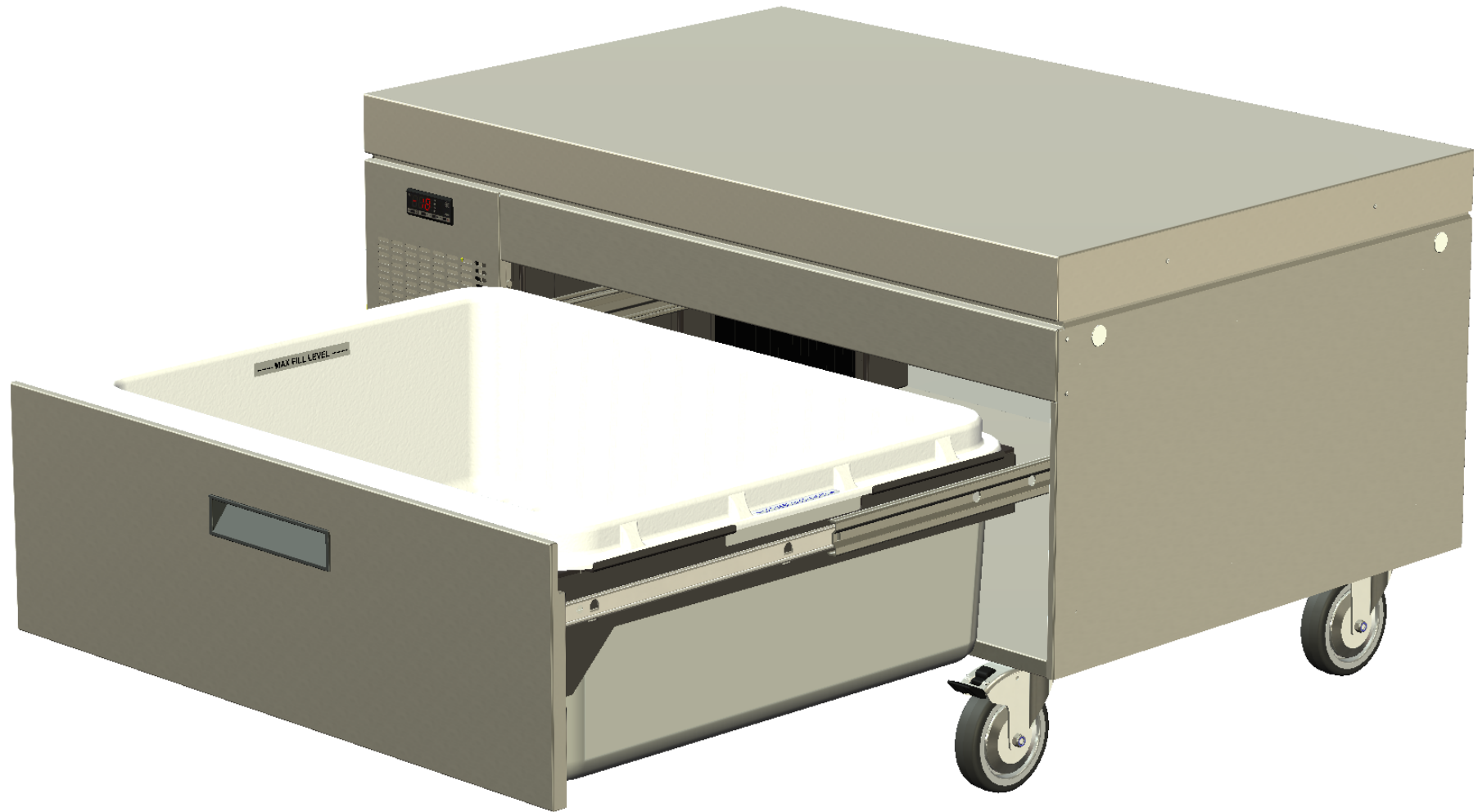
ADANDE REFRIGERATION

45 Pinbush Road, LOWESTOFT, SUFFOLK, UK NR33 7NL
Tel. 44 (0)1502 537135 e-mail: info@adande.com

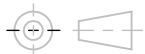


Third angle projection
DO NOT SCALE
If in doubt ask
ALL DIMENSIONS ARE MM

CONFIDENTIALITY: The information in this drawing is the property of Applied Design and Engineering Limited and is to be held in confidence by the recipient. No copy is to be made without the written permission of Applied Design and Engineering Limited. Disclosure of any such information is to be made only to those employees of the recipient who need to use the information and it is the responsibility of the recipient to bind any such information in strict confidence. Furthermore, any patent applications, trademarks or other intellectual property rights owned by Applied Design and Engineering Limited and as such are subject to the obligation of confidence on the recipient set out above. No alteration to this document may be made without the permission of Applied Design and Engineering Limited.



PRODUCT ~ *Key Dimensions*



Third angle projection
DO NOT SCALE
If in doubt ask
ALL DIMENSIONS ARE MM

Description:

Side engine, 1 stack, high castor base, heat shield worktop

Order Code:

VCS1/HCHS

ADANDE REFRIGERATION

45 Pinbush Road, LOWESTOFT, SUFFOLK, UK NR33 7NL
Tel. 44 (0)1502 537135 e-mail: info@adande.com