

# Hands Free Door Opener - Horizontal Style

## Model: SPPL.HFDO.H

SPPL = Stoddart Product Code

HFDO = Hands Free Door Opener

H = Horizontal Style

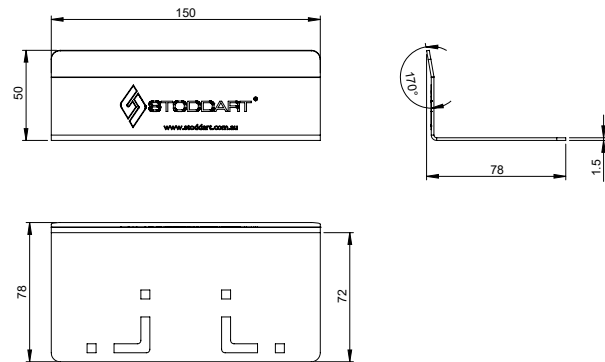
eg.: for specification and ordering quote

Code: SPPL.HFDO.H

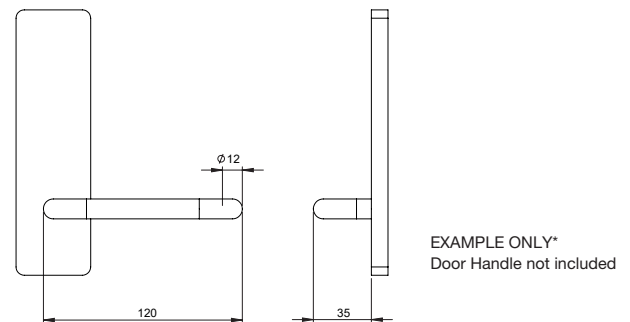
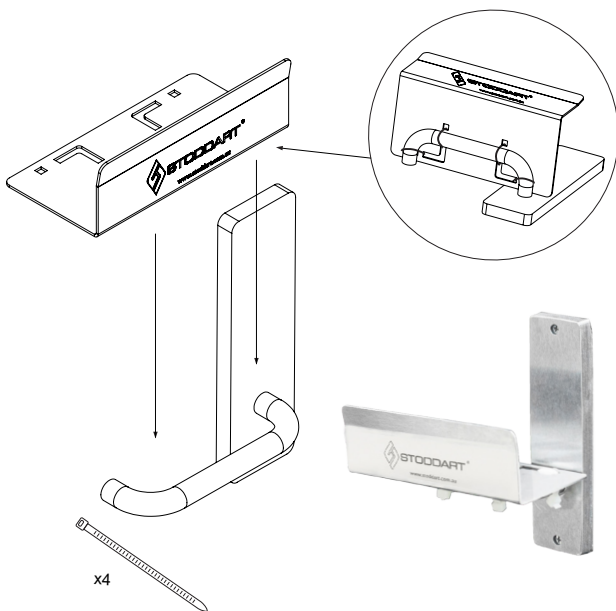


## Features and Benefits:

- Ergonomically designed to fit majority of existing horizontal style door handles including lever style (custom variations available upon request)
- Tilts effortlessly with lever style door handles
- Ideal for facilities wanting to practice safe hygiene with hands free use
- Made from heavy duty 1.5mm thick 304 grade stainless steel
- Easy secure fixing with adjustable zip ties (included)
- Easy to clean surfaces



## Install:



Model No.	W x D x H (mm)
SPPL.HFDO.H	150 x 78 x 50

## Specifications:

- Construction: 304 grade Stainless Steel construction
- Unit Fixing: The unit is supplied with fixing holes and zip ties for easy onsite installation



Due to continuous product research and development, the information contained herein is subject to change without notice.

Revision: April 23, 2020 2:49 PM

[www.stoddart.com.au](http://www.stoddart.com.au)

[www.stoddart.co.nz](http://www.stoddart.co.nz)

