

TOILETS

Pan - Wall Faced, Type 4



The Toilet Pan from Stoddart has efficient dual flush rating (certified by WELS for 4.5L full flush and 3L half flush).

Stoddart Toilet Pans have been tested to support over 1000kg loads and withstand years of harsh treatment in prisons and public amenities.

The (type 4) model has secure top access for easy installation and inspection. It is extremely robust for long service life in extreme environments.

The toilet seat is hydraulically formed to create a safe, strong, comfortable contoured and self draining profile.

Stoddart Toilet Pans are ideal for use in high security prisons, detention centres, police stations, hospitals, schools and public amenities. The attractive geometry, comfort and effective flush make these toilets your 1st choice for use in hotel bathrooms, sporting clubs and busy restaurants.

Available in satin finish stainless or powder coated to a colour of your choice.



Models:

SPPL.TP.WF.4.x

Code explanation:

SPPL = Standard Product Plumbing

TP = Toilet pan

WF.4 = Wall faced type 4

x = S - standard (H400mm, L650mm)

= A - ambulant (H460mm, L650mm)

= D - disabled (H460mm, L800mm)

Variations

= WA - provision of 5mm SS rivets for access panel after installation

= PC - powder coated

= PS - hinged plastic seat & lid added

For other variations contact Stoddart

eg.: for specification and ordering

SPPL.TP.WF.4.S

Flushing Device Options:



FD.CI.IW.PRF.CB



FD.CI.IW.PRF



FD.EFV.DF



FD.CI.IW.EDF

Toilet Seat Options:



CMPL.0675



CMPL.0814



CMPL.0915



CMPL.1005

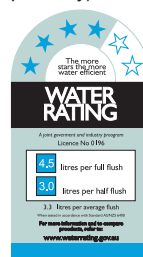
Features and Benefits:

- Hydraulically formed seat with smooth radius to inner and outer edges for safety and comfort and the seat has a self draining surface for improved hygiene.
- Heavy duty (1000kg) load carrying capacity for bariatric applications.
- Concealed plumbing & fixing points for security and vandal resistance.
- Top secure access panel provides easy access for installation & maintenance. The strong access panel can be fastened with M6 security screws or 6-16 rivets and grouted. Cell inspections are made easier without side access panels that are hidden from direct line of view.
- Engineered flushing rim prevents hiding of contraband while allowing free flow of flush water minimising the amount of flush water backing up the flush pipe.
- Smooth, ligature free surfaces can be powder coated to colour of choice.
- Optional thermoplastic hinged lids can be factory fitted with vandal-resistant stainless steel hinges for applications such as schools and hospitals.
- Other Special Options: Super Heavy Duty: Seat - 3.0mm & Extreme Marine - 316 grade.

These toilets can be flushed with either a flush valve or cistern (ordered separately). The Toilet pan can also be ordered as a suite coupled with a flushing device enclosed in a secure back rest.



Suitable for use where disabled access is required



Manufactured by:

Tom Stoddart Pty Ltd. ABN 16 009690251
39 Forest Way, Karawatha 4117, Queensland Australia

Specifications:

- Construction:** Toilet bowl & Trap - 304 stainless steel Seat, Body and shroud - 2.0mm 304 stainless steel.
- Flushing:** 4.5L full flush/3L half flush (WELS).
AS1172: Flushing Devices must be able to deliver 1.4 litres per second.
- Water Connection:** 60mm I.D. inlet Key-Seal supplied for 40mm PVC.
- Waste Connection:** P trap, 95mm ID stainless steel spigot with rubber coupling included to suit 100mm PVC or copper sewer pipe.
P-S adaptors can be ordered separately.
- Unit Fixing:** The unit is designed to be fixed to the rear wall with 4 bolts. A Z-clip is supplied to secure the front of the base to the floor.
SET-OUT SEE TABLE BELOW.

Models:

SPPL.TP.WF.4.x

Code explanation:

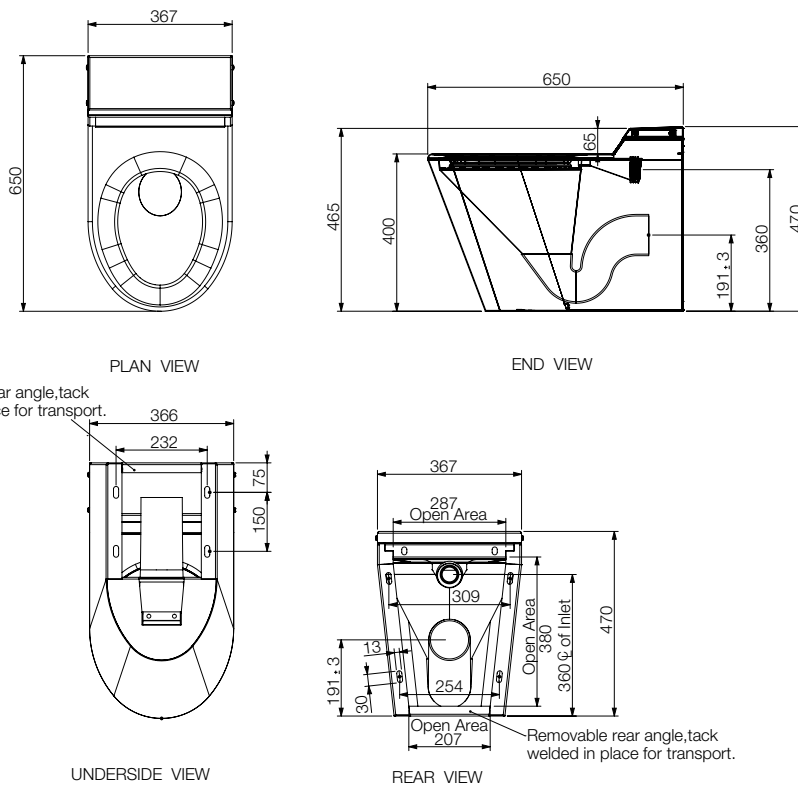
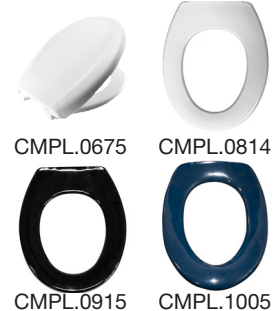
- SPPL = Standard Product Plumbing
TP = Toilet pan
WF.4 = Wall faced type 4
x = S - standard (H400mm, L650mm)
= A - ambulant (H460mm, L650mm)
= D - disabled (H460mm, L800mm)
- Variations
= WA - provision of 5mm SS rivets for access panel after installation
= PC - powder coated
= PS - hinged plastic seat & lid added

For other variations contact Stoddart
eg.: for specification and ordering
SPPL.TP.WF.4.S

Flushing Device Options:



Toilet Seat Options:



SPPL.TP.WF.4.S

Description	Model & Type Variation	Length (mm)	Height (mm)	Inlet Height	Outlet Height	Waste Set-Out Std Bend
Disabled	SPPL.TP.WF - 4.D	800	460	420 ± 3	251 ± 3	~ 195
Ambulant	SPPL.TP.WF - 4.A	650	460	420 ± 3	251 ± 3	~ 176 Plastec Universal Bend
Standard	SPPL.TP.WF - 4.S	650	400	360 ± 3	191 ± 3	~ 176 Plastec Universal Bend