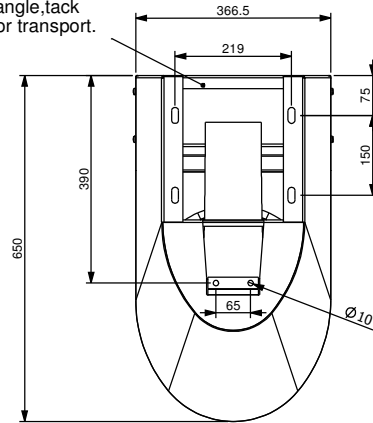
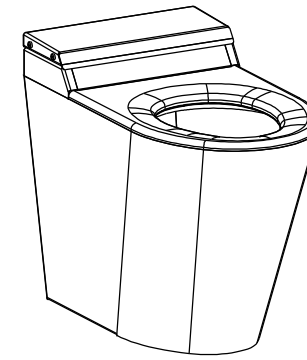


PLAN VIEW

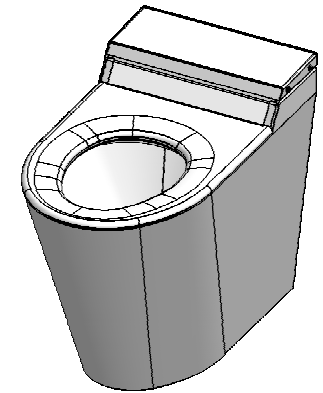
Removable rear angle,tack welded in place for transport.



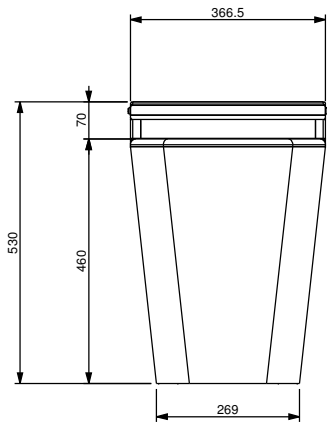
UNDERSIDE VIEW



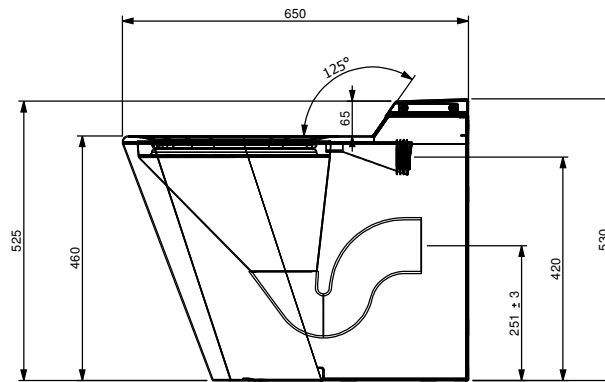
ISOMETRIC VIEW



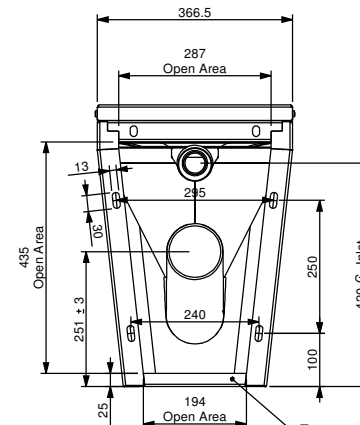
ISOMETRIC VIEW



FRONT VIEW



END VIEW



REAR VIEW

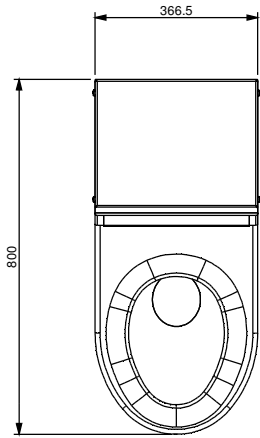
Removable rear angle,tack welded in place for transport.

REV/VER.	REVISED BY	DATE	REVISION DESCRIPTION	STATUS
A1		17/07/2013		For Manufacture
A2	J Pickels	10/12/2013	Toilet Pan and Access cover changed revision	For Manufacture
A3	J Pickels	23/01/2014	Toilet Pan changed revision	For Manufacture

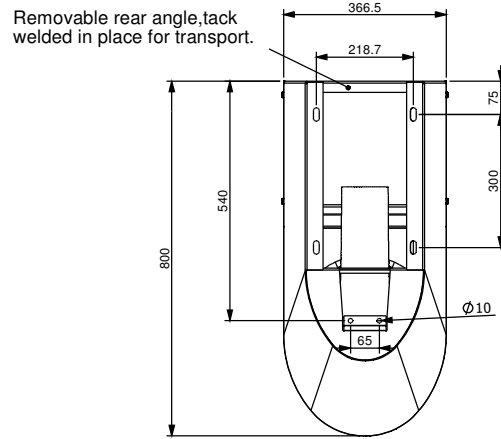


**STODDART**  
**MANUFACTURING**  
 TOM STODDART Pty Ltd  
 ACN 009 690 251  
 www.stoddart.com.au

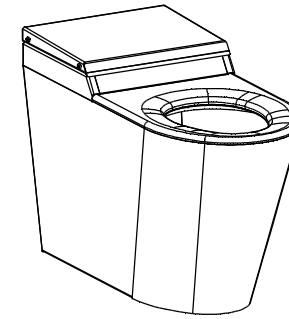
				PART No: <b>SPPL-TP-WF-4-A A3</b>	
DRAWN	NAME	SIGNATURE	DATE	UNLESS OTHERWISE SPECIFIED: DIMENSIONS ARE IN MILLIMETERS	
APPV'D	J Pickels		11/11/2009	DESCRIPTION: Stainless Toilet Pan - Wall Faced,4,Ambulant	
Weight: 17.99 kg			MATERIAL:		DWG No: <b>SPPL-TP-WF-4-A-d01 A3</b>
Surface Area: 2.92 M2			THICKNESS:		Dwg. Issue
DO NOT SCALE DRAWING			FINISH:		1
This drawing remains the property of Tom Stoddart Pty Ltd & cannot be reproduced without prior permission.					Sheet 1 of 4



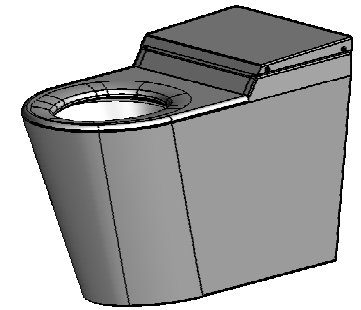
PLAN VIEW



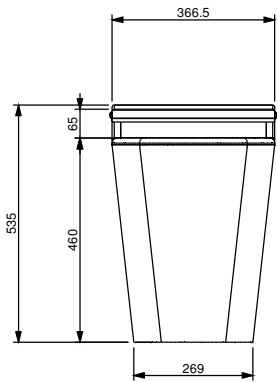
UNDERSIDE VIEW



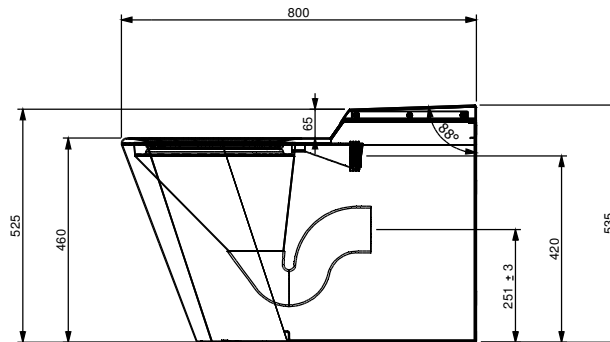
ISOMETRIC VIEW



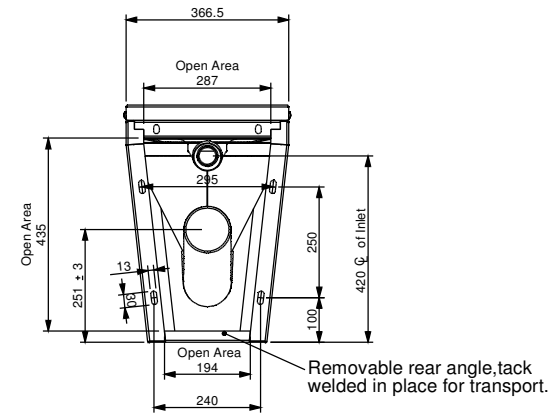
ISOMETRIC VIEW



FRONT VIEW



END VIEW



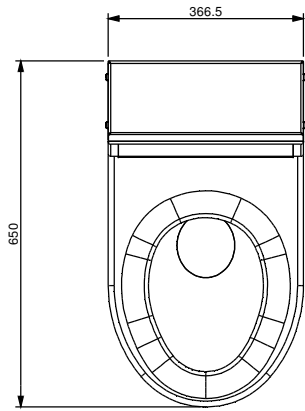
REAR VIEW

REV/VER.	REVISED BY	DATE	REVISION DESCRIPTION	STATUS
A1		3/07/2013		For Manufacture
A2	J Pickels	14/11/2013	Toilet Pan and Access cover changed revision	For Manufacture
A3	J Pickels	23/01/2014	Toilet Pan changed revision to A3	For Manufacture



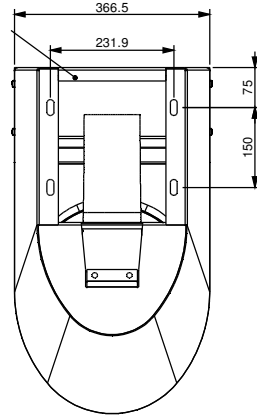
**STODDART**  
**MANUFACTURING**  
 TOM STODDART Pty Ltd  
 ACN 009 690 251  
 www.stoddart.com.au

				PART No: <b>SPPL-TP-WF-4-D A3</b>	
DRAWN	NAME	SIGNATURE	DATE	UNLESS OTHERWISE SPECIFIED: DIMENSIONS ARE IN MILLIMETERS	
APPV'D	J Pickels		11/11/2009	DESCRIPTION: Stainless Toilet Pan - Wall Faced,4,Disabled	
Weight: 20.89 kg			MATERIAL:		DWG No: <b>SPPL-TP-WF-4-D-d01 A3</b>
Surface Area: 3.41 M2			THICKNESS:		
DO NOT SCALE DRAWING			FINISH:		Dwg. Issue
This drawing remains the property of Tom Stoddart Pty Ltd & cannot be reproduced without prior permission.				A3	Sheet 1 of 4

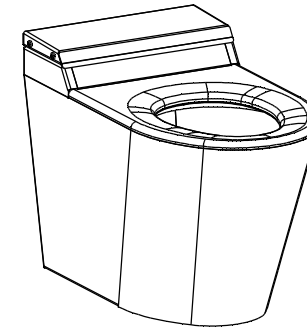


PLAN VIEW

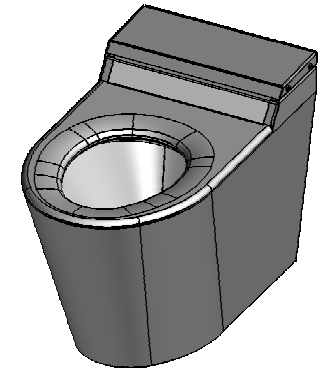
Removable rear angle,tack welded in place for transport.



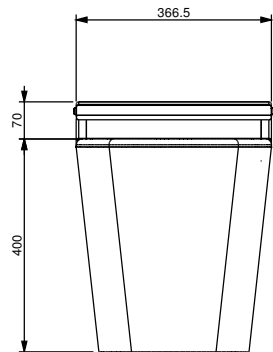
UNDERSIDE VIEW



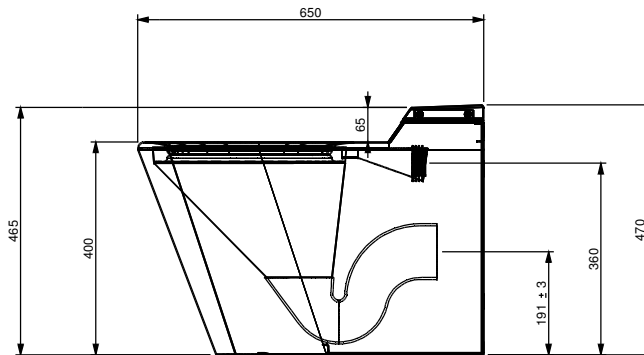
ISOMETRIC VIEW



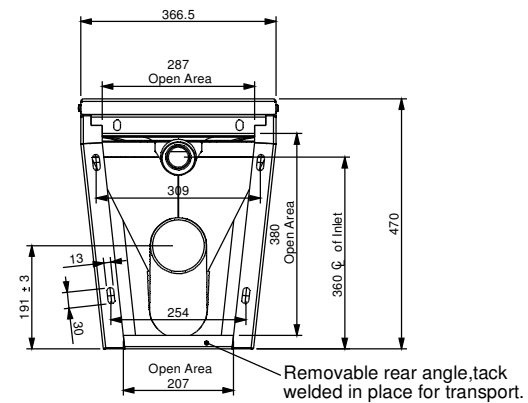
ISOMETRIC VIEW



FRONT VIEW



END VIEW



REAR VIEW

Removable rear angle,tack welded in place for transport.

REV/VER.	REVISED BY	DATE	REVISION DESCRIPTION	STATUS
A1		3/07/2013		For Manufacture
A2	J Pickels	13/11/2013	Toilet Pan and Access cover changed revision	For Manufacture
A3	J Pickels	24/01/2014	Toilet Pan changed revision	For Manufacture



**STODDART**  
**MANUFACTURING**  
 TOM STODDART Pty Ltd  
 ACN 009 690 251  
 www.stoddart.com.au

				PART No: <b>SPPL-TP-WF-4-S A3</b>	
DRAWN	NAME	SIGNATURE	DATE	UNLESS OTHERWISE SPECIFIED: DIMENSIONS ARE IN MILLIMETERS	
APPV'D	J Pickels		11/11/2009	DESCRIPTION:	
Weight: 16.92 kg			THICKNESS:	DWG No: <b>SPPL-TP-WF-4-S-d01 A3</b>	
Surface Area: 2.79 M2				Dwg. Issue	
DO NOT SCALE DRAWING			This drawing remains the property of Tom Stoddart Pty Ltd & cannot be reproduced without prior permission.		A3 Sheet 1 of 4