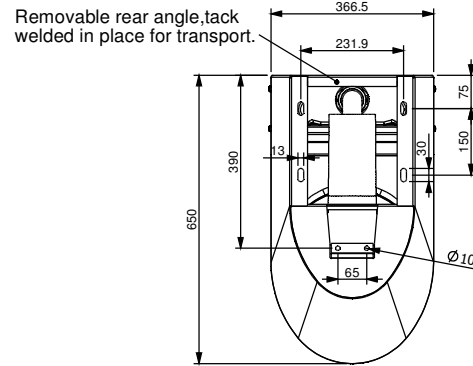
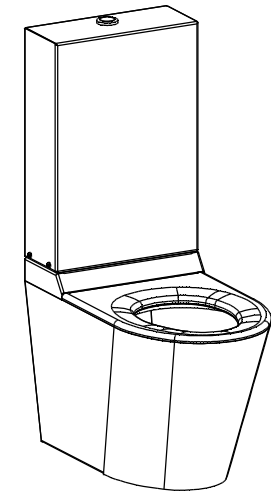


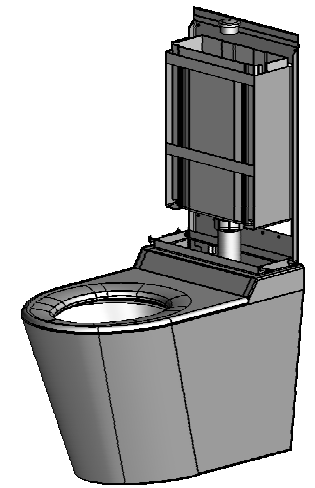
PLAN VIEW



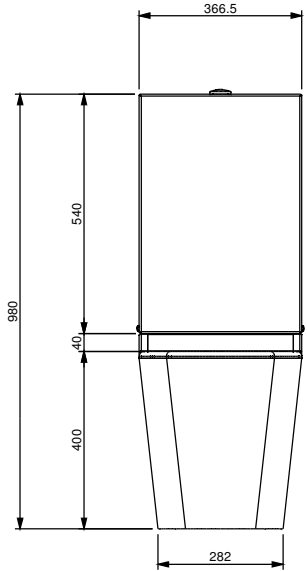
UNDERSIDE VIEW



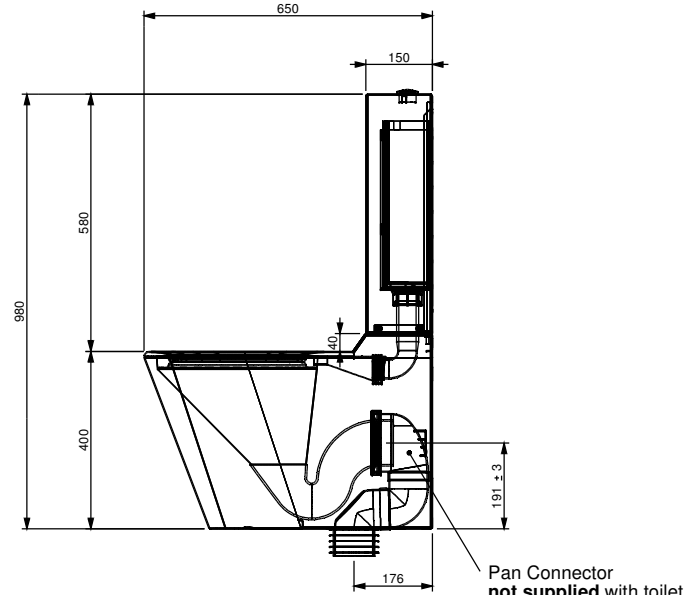
ISOMETRIC VIEW



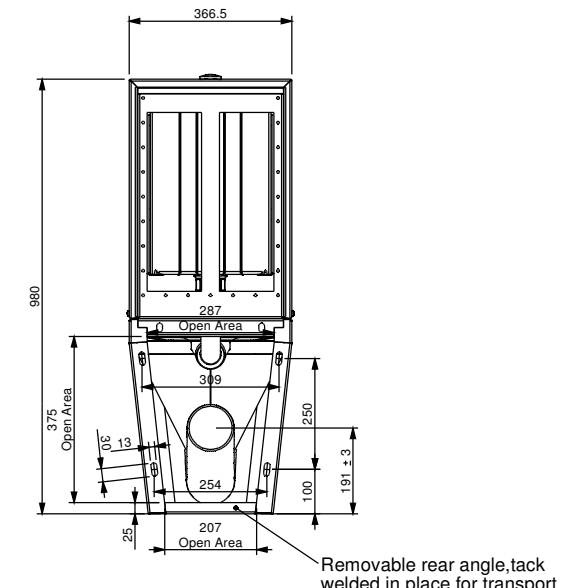
ISOMETRIC VIEW  
(Without backrest)



FRONT VIEW



END VIEW



REAR VIEW

REV/VER.	REVISED BY	DATE	REVISION DESCRIPTION	STATUS
A1		17/07/2013		For Manufacture
A2	J Pickels	10/12/2013	Toilet Pan changed revision	For Manufacture
A3	J Pickels	24/01/2014	Toilet pan changed revision	For Manufacture

**STODDART**  
MANUFACTURING  
TOM STODDART Pty Ltd  
ACN 009 690 251  
www.stoddart.com.au

				PART No: <b>SPPL-TP-WF-4-S-CC A3</b>	
DRAWN	NAME	SIGNATURE	DATE	UNLESS OTHERWISE SPECIFIED: DIMENSIONS ARE IN MILLIMETERS	
APPV'D	J Pickels		11/11/2009	DESCRIPTION: Stainless Toilet Pan & Cistern Coupled Unit	
Weight: 19.48 kg			MATERIAL:		DWG No: <b>SPPL-TP-WF-4-S-CC-d01 A3</b>
Surface Area: 4.63 M2			THICKNESS:		Dwg. Issue
DO NOT SCALE DRAWING			FINISH:		<b>1</b>
This drawing remains the property of Tom Stoddart Pty Ltd & cannot be reproduced without prior permission.					A3 Sheet 1 of 2