

BASINS

Mobile Wash Station



The Mobile Wash Station from Stoddart is the culmination of years of experience in manufacturing and supplying convention centres and stadiums throughout Australia.

This product is designed to be easy to operate and maintain. Attention to detail is focused on, providing optimum hygiene and safety.

Models:

SPPL.WB.MWS.xxxx.yyyy

Code explanation:

SPPL = Standard Product Plumbing

WB = Wash basin

MWS = Mobile wash station

xxxx = Unit length

yyyy = Unit width

eg.: for specification and ordering

SPPL.WB.MWS.1370.760



Features and Benefits:

- Instant tempered water available through on board heating system.
- Large 125mm non-marking castors for ease of mobility.
- Ezy Push timed flow tap for convenient hand wash operation.
- Self priming pump from easy fill 20L storage tank and onboard drainage tank.
- Fold down splashback with integrated soap and towel dispensers.
- 15 Amp flexi cord supplied with its own location socket for mobility.
- Stainless steel push handle.
- Storage cupboard under, complete with fixed shelf.



Manufactured by:

Tom Stoddart Pty Ltd. ABN 16 009690251
39 Forest Way, Karawatha 4117, Queensland Australia

Specifications:

Construction: Fully welded 304 grade stainless steel construction bench top and basin, no.4 brushed finish.
 Instant tempered water available through on board heating system.
 Ezy Push timed flow tap for convenient hand wash operation.
 Self priming pump from easy fill 20L storage tank and onboard drainage tank.
 15 Amp flexi cord supplied with its own location socket for mobility.

Models:
SPPL.WB.MWS.xxxx.yyyy

Code explanation:

SPPL = Standard Product Plumbing

WB = Wash basin

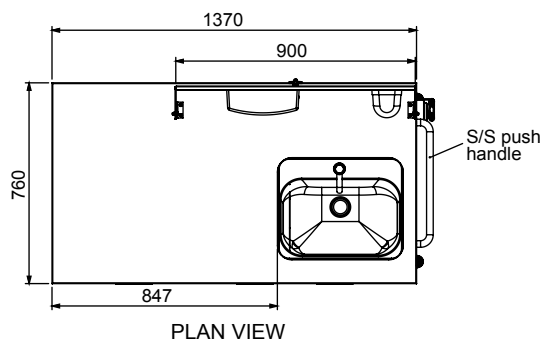
MWS = Mobile wash station

xxxx = Unit length

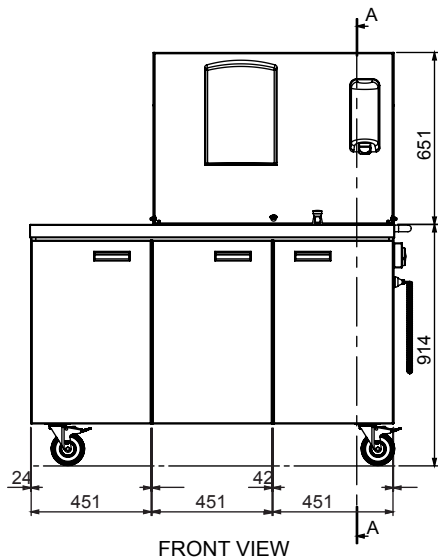
yyyy = Unit width

eg.: for specification and ordering

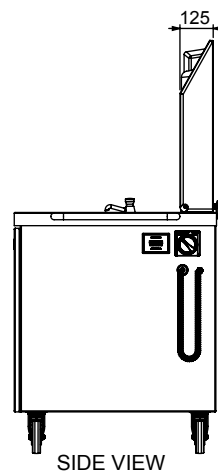
SPPL.WB.MWS.1370.760



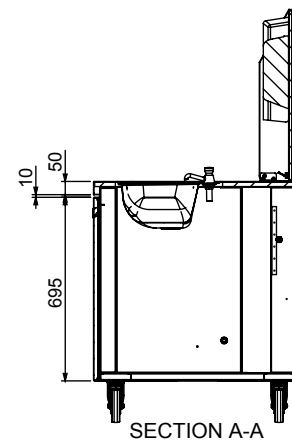
PLAN VIEW



FRONT VIEW



SIDE VIEW



SECTION A-A

Model No.	Width (mm)	Length (mm)	Height (mm)
SPPL.WB.MWS.xxxx.yyyy	yyyy	xxxx	914 (1564 with splashback)