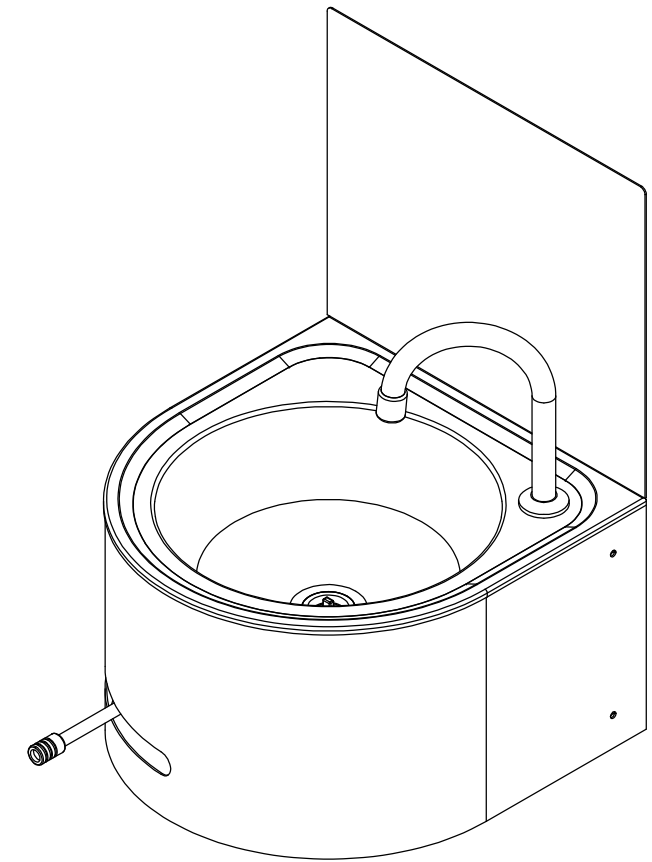
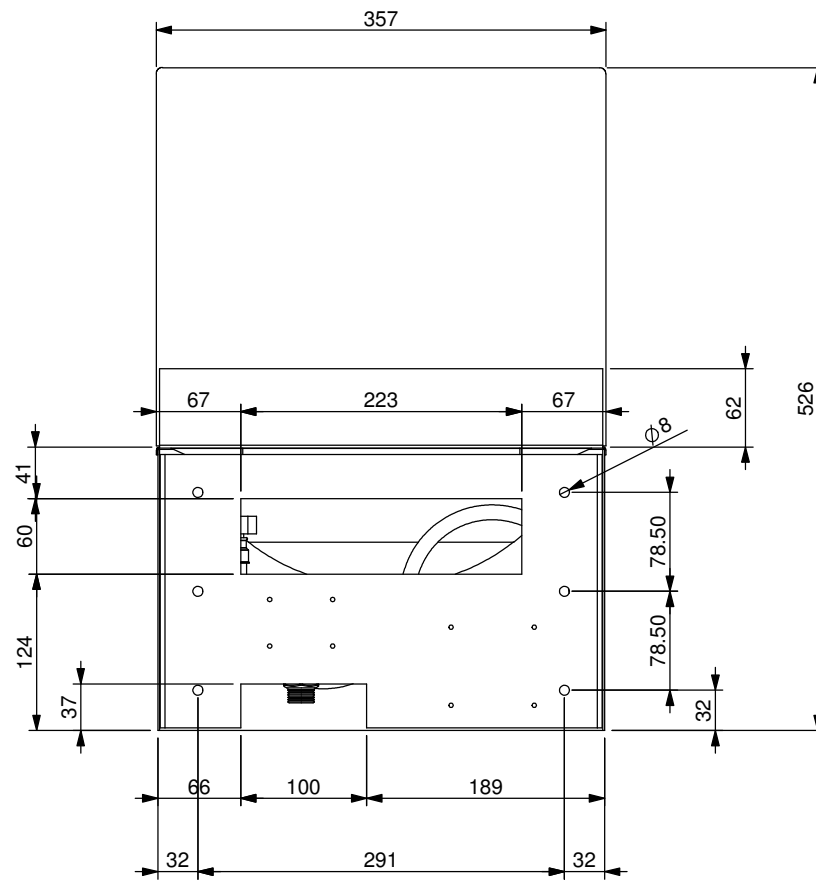
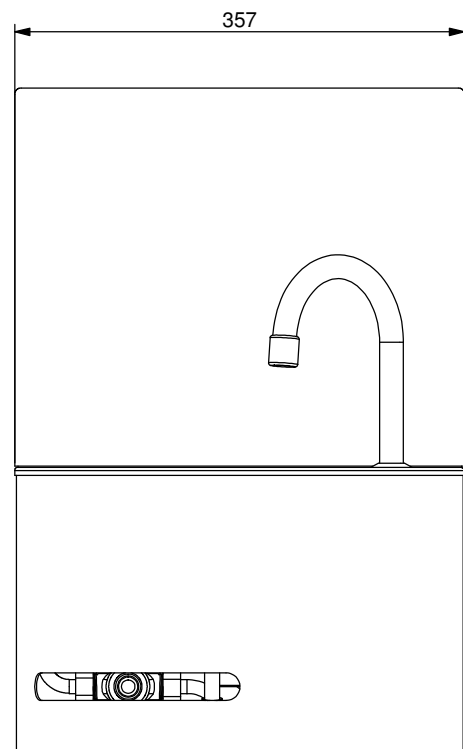


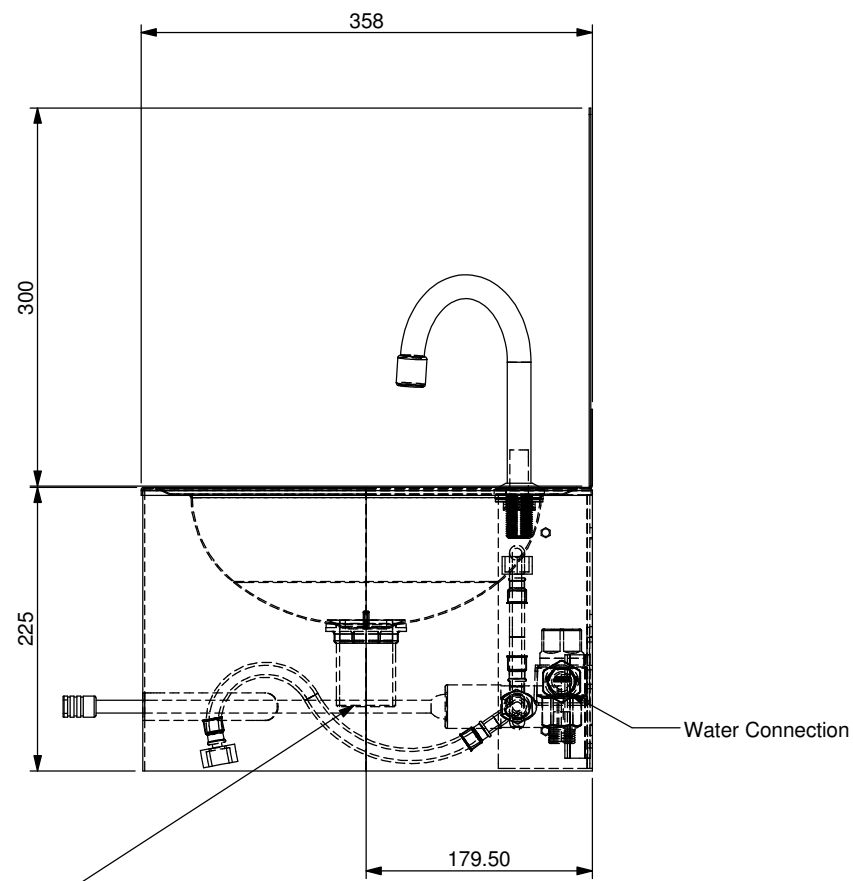
PLAN VIEW



ISOMETRIC VIEW



FRONT VIEW



END VIEW

**Product Details**

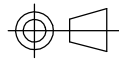
Waste : 40mm  
 Water Connection : 1/2" BSP Tempering Valve

REVISION TABLE				
REV.	REVISED BY	DATE	REVISION DESCRIPTION	STATUS
B	D Bowden	17/06/2008	Components Changed & Skirt Modified	
C	M Love	11/05/2011	Fixing Plate Modified	
D	M Rattray	26/08/2013	Specific Components Material changed to 2.0mm 409L S/S	



**STODDART  
 MANUFACTURING**

TOM STODDART Pty Ltd ACN 009 690 251  
 215 Jackson Rd Sunnybank Hills Qld 4109  
 PO Box 420 Sunnybank Qld 4109  
 Phone (617) 3344 2444 Fax (617) 3345 6403  
 Email sunnybank@stoddart.com.au  
*Quality in stainless steel*

				PART No: <b>SPPL-WB-R-WM-WO-d001 D1</b>	
DRAWN	J Pickels	SIGNATURE	DATE	UNLESS OTHERWISE SPECIFIED: DIMENSIONS ARE IN MILLIMETERS	
APPVD				DESCRIPTION:	
Weight:				MATERIAL:	
Surface Area:				THICKNESS: FINISH:	
DO NOT SCALE DRAWING			This drawing remains the property of Tom Stoddart Pty Ltd & cannot be reproduced without prior permission.		
				A3	Sheet 1 of 10
				DWG No: <b>SPPL-WB-R-WM-WO-d001 D1</b>	
				Dwg. Issue <b>0</b>	