

## BASINS

### Round - Wall Mounted Vandal Resistant

The Vandal Resistant, Wall Mounted Wash Basin with push button tap, is the approved design wash basin for government schools. The material is resistant to sunlight and bacteria. The tap is angled to provide water over the centre of the bowl for easy access. Features a screw fixed cover under that stops vandals from accessing the pipework and water points.

The Round Wall Mounted Wash Basin can be mounted at heights to suit the application.



#### Models:

#### SPPL.WB.R.WM.VR.300

Code explanation:

SPPL = Standard Product Plumbing

WB = Wash Basin

R = Round

WM = Wall mounted

VR = Vandal resistant

300 = 300mm splashback (optional)

eg.: for specification and ordering

SPPL.WB.R.WM.VR.300

(Tiled upstanding edge as shown)

#### Tapware Alternatives:



CMPL.0984 CMPL.0985



CMPL.0624 CMPL.0981

#### Features and Benefits:

- Economical design makes this the affordable solution for schools and institutions.
- Easy mount bracket system for quick installation.
- WELS rated tap for easy and efficient water access.
- No sharp edges to ensure safety in use and cleaning.
- Sturdy and attractive stainless steel construction for years of hygienic, trouble free service.
- All optional tapware are WELS and Watermark approved.



Proudly Manufactured  
in Australia

Due to product research and development, the information contained herein is subject to change without notification

Data Sheet Revision Date 17/02/2016

#### Manufactured by:

Tom Stoddart Pty Ltd. ABN 16 009690251  
39 Forest Way, Karawatha 4117, Queensland Australia

**4-21**

Tel +61 7 3440 7600, Fax +61 7 3344 1000  
Web site: [www.stoddartplumbing.com.au](http://www.stoddartplumbing.com.au)  
Email: [plumbing@stoddart.com.au](mailto:plumbing@stoddart.com.au)

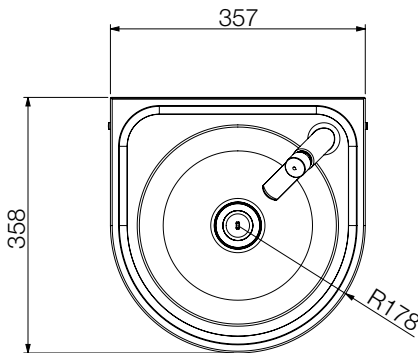
**Specifications:**

**Construction:** Fully welded 304 grade stainless steel construction, no.4 satin finish, with cover under to fully shroud pipe work.  
 Approved design for Government Schools  
**Water Supply:** Single 15mm (½" BSP).  
**Waste Connection:** 40mm waste connection.  
**Unit Fixing:** The unit is supplied with a stainless steel wall mounting bracket with 8mm diameter fixing holes. The fountain is fixed to the bracket with 6mm stainless steel fixings.

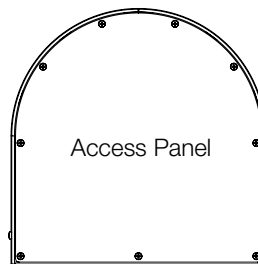
**Models:**
**SPPL.WB.R.WM.VR.300**

Code explanation:

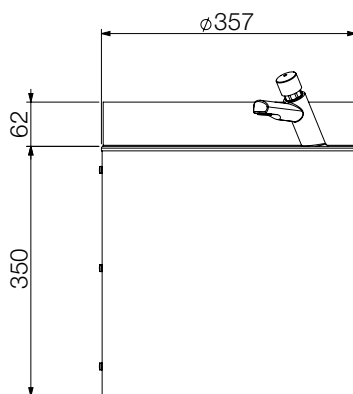
SPPL = Standard Product Plumbing  
 WB = Wash Basin  
 R = Round  
 WM = Wall mounted  
 VR = Vandal resistant  
 300 = 300mm splashback (optional)  
 eg.: for specification and ordering  
 SPPL.WB.R.WM.VR.300

**Tapware Alternatives:**


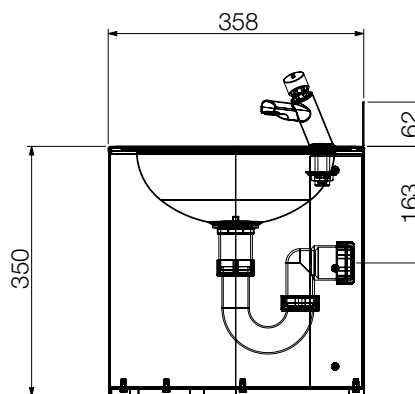
PLAN VIEW



BOTTOM VIEW



FRONT VIEW



END VIEW

Model No.	Width (mm)	Length (mm)	Height (mm)
SPPL.WB.R.WM.VR	357	356	350