



Product Description:

The Metro range of barbeques

The Metro barbeque is a robust, stylish unit, manufactured from durable stainless steel.

Wheelchair accessibility enables ease of use for every individual, ensuring adaptability and suitability for all public access areas.

Should you require special modifications to suit your specification, please do not hesitate to contact us.

P: 1300 782 101
W: townandpark.com.au
E: info@townandpark.com.au

Copyright Stoddart Pty Ltd. All rights reserved.

Models:

Code: SPTP.BBQ.uu.vv.xx.yy.zz

SPTP = Stoddart Product - Town and Park

BBQ = Barbeque

uu W = Wheelchair Access

vv S = Stainless Steel

xx SM = Surface Mount

yy DBL = Double

zz 800 = 800mm

eg.: for specification and ordering quote
Town and Park Model : SPTP.BBQ.W.S.SM.
DBL.800.D01

Construction:

- Heavy duty materials
- 316 stainless steel fasteners
- High quality finishes
- Australian Made

Finishes:

- Stainless Steel

Example Specification Text:

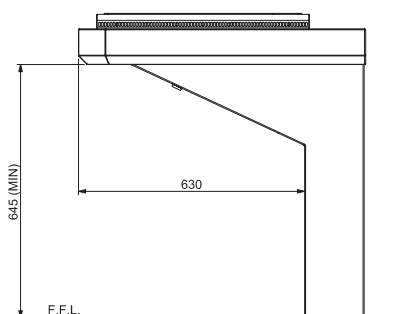
Model Code:

SPTP.BBQ.W.S.SM.DBL.800.D01

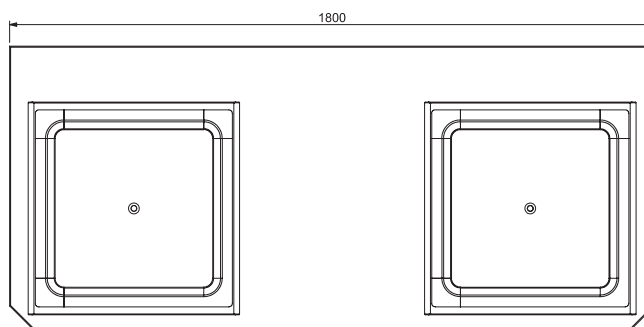
Town and Park Metro Barbeque
manufactured from durable stainless steel.
Product to be powdercoated in deluxe char-
coal satin. The barbeque is 800mm long.

Install Details:

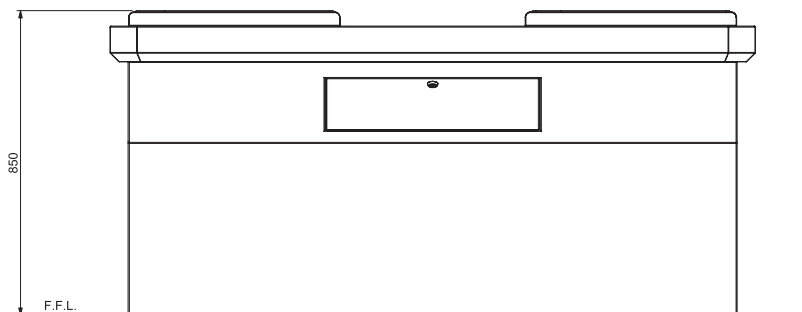
All measurements in millimetres



SIDE ELEVATION



PLAN VIEW



FRONT ELEVATION