

STANDARD PRODUCT
METROBENCH Flat

TOWN&PARK



Product Description:

The Metro Range of outdoor seating

The Metro Bench is a robust and vandal resistant unit manufactured from marine grade aluminium with Stainless Steel fixings. The modular design allows up to 4 metres in FSC 100% hardwood and up to 6 metres in clear anodised extruded aluminium slats.

Options include edge guards for deterring skateboarders as well as various mounting options.

Should you require special modifications to suit your specification, please do not hesitate to contact us.

P: 1300 782 101
W: townandpark.com.au
E: info@townandpark.com.au

Copyright Stoddart Pty Ltd. All rights reserved.



Models:

Code: SPTP.BTD.vv.ww.xxx.yyyy.zz

SPTP = Stoddart Product - Town and Park

BTD = Metro Flat Bench

vv T2 = Select Grade Hardwood Slats

T3 = FSC 100 % Hardwood Slats

A = Aluminium Slats

ww PM = Plinth Mount

SP = Surface Post

SS = Sub Surface

xxx EGx = x no. of anti skate edge guards

yyyy 2000 = 2000mm long (STD)

*Various Lengths available to suit specification

zz PC = Powder coated aluminium

Options Engraving & Paint Fill

Memorial Plaque

Customers Logo

e.g.: for specification and ordering quote

Town and Park model: SPTP.BTD.T3.SP.2000

Construction:

- Marine grade aluminium cast
- 316 Stainless steel fasteners
- Hardwood timber slats or extruded aluminium.
- Timber coated with high quality decking oil or 25um Clear anodised aluminium.

Finishes:

- Powder Coated aluminium

Example Specification Text:

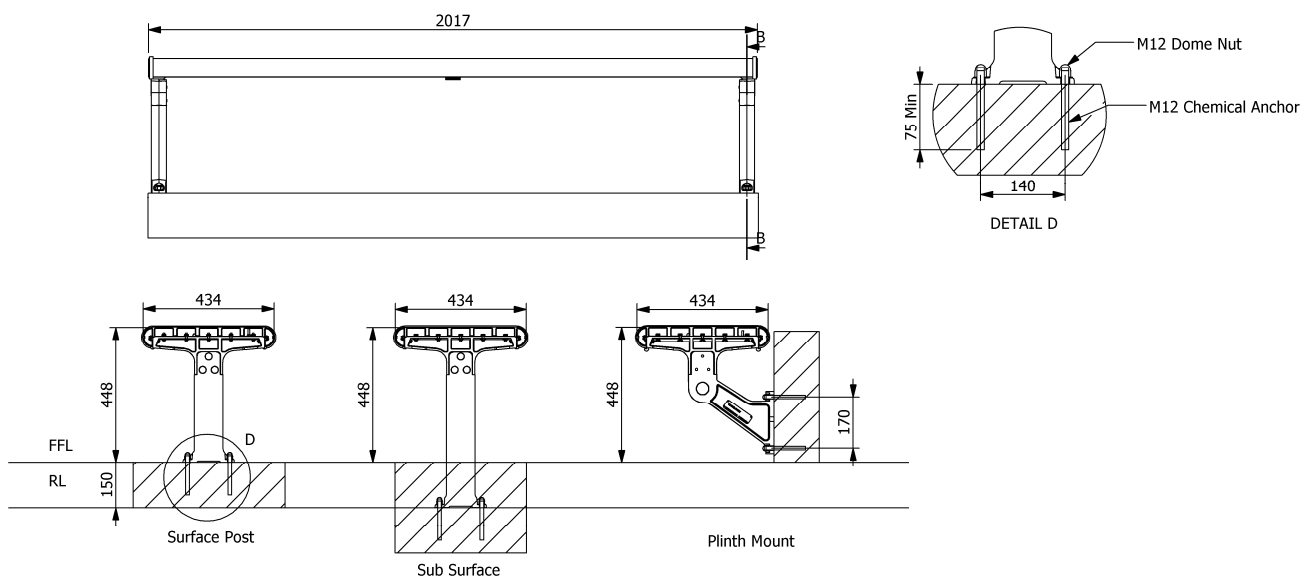
Model Code:

SPTP. BTD.T3.SP.2000

Town and Park's Metro Flat Bench with FSC 100% hardwood slats coated with high quality outdoor decking oil. The surface post mounts and end frames are manufactured from marine grade aluminium casting. The seat is 2000mm long and 1950mm between the fastening points.

Install Details:

All measurements in millimetres



P: 1300 782 101

W: townandpark.com.au

E: info@townandpark.com.au

Copyright Stoddart Pty Ltd. All rights reserved.