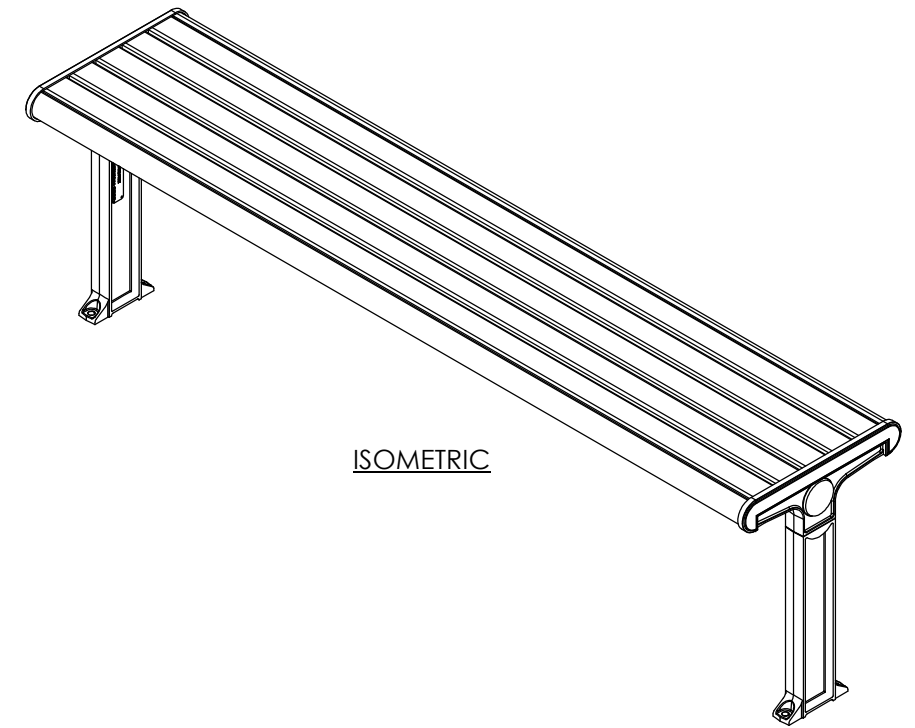
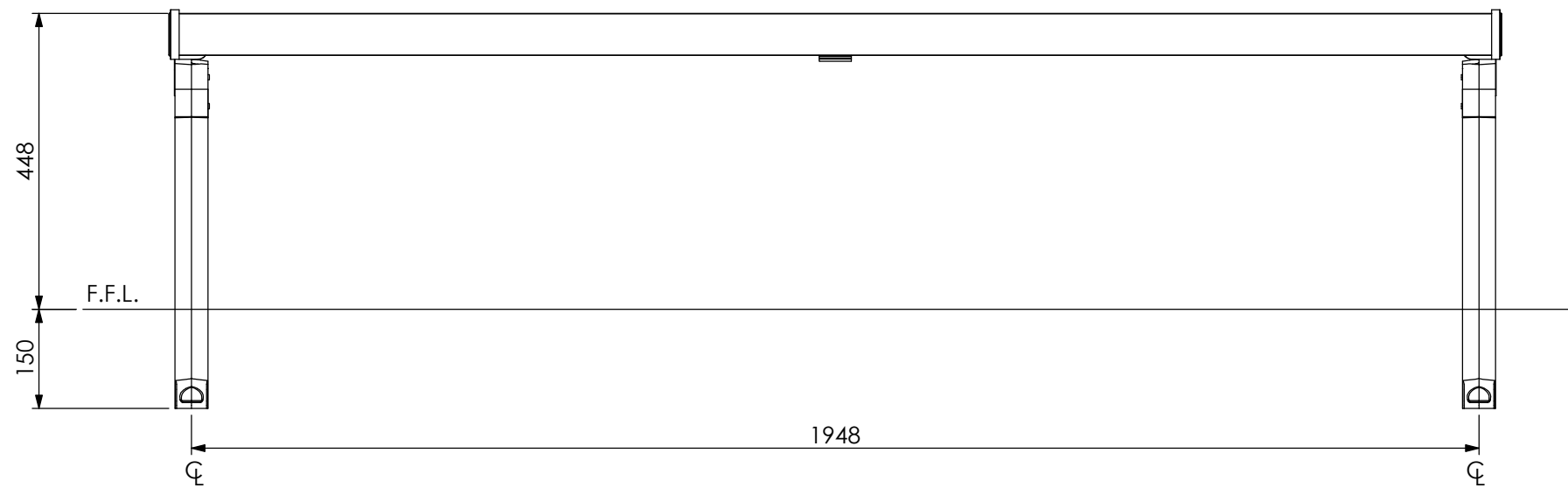


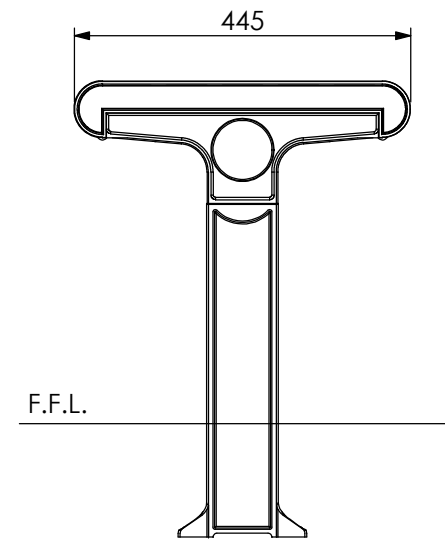
PLAN VIEW



ISOMETRIC



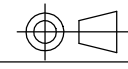
FRONT ELEVATION



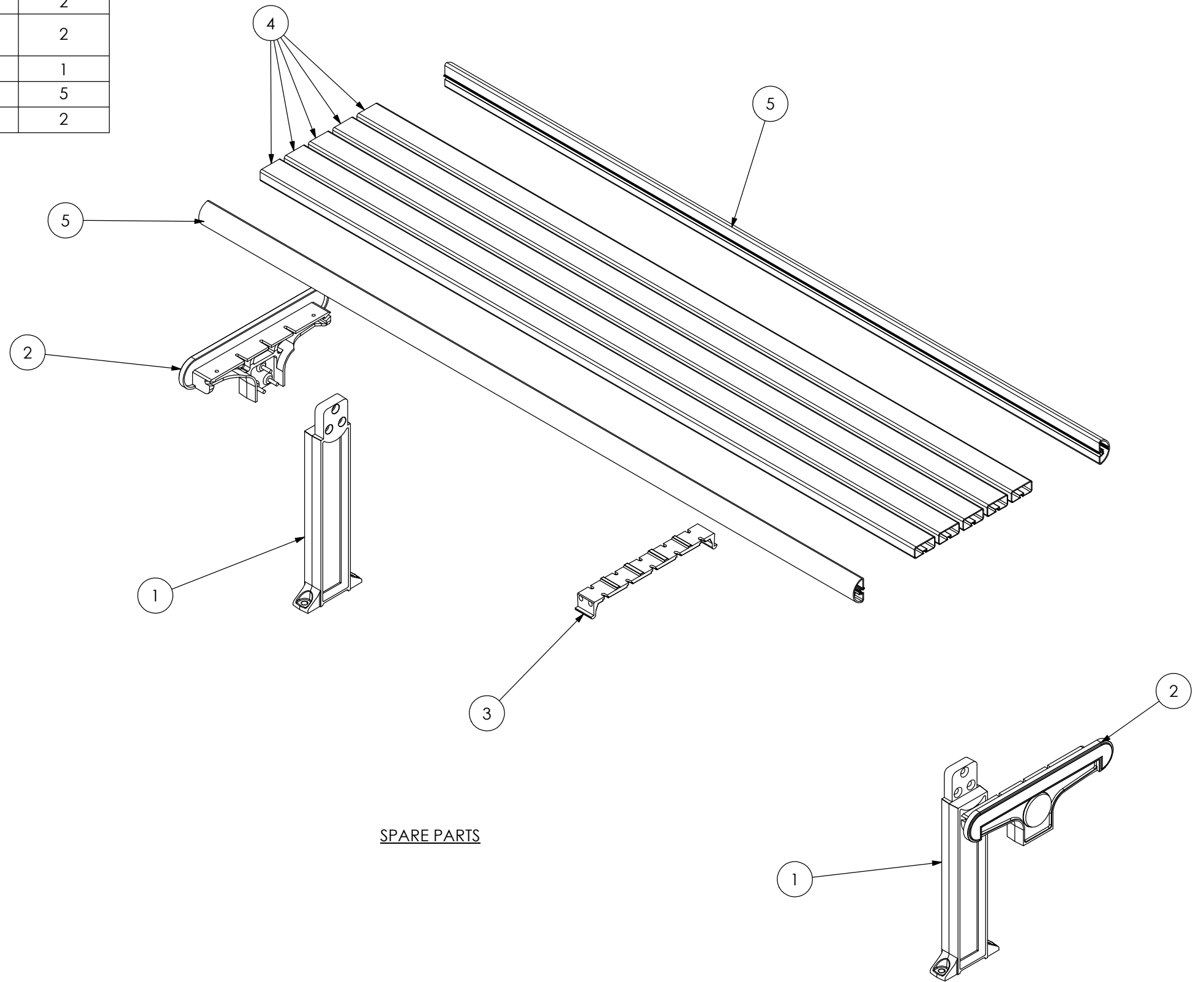
END VIEW

REV/VER.	REVISED BY	DATE	REVISION DESCRIPTION	STATUS
A	M.RATTRAY	5/02/2014	FOR MANUFACTURE	


STODDART
 MANUFACTURING
 TOM STODDART Pty Ltd
 ACN 009 690 251
www.stoddart.com.au

				PART No: SPTP-BTD-A-SS-2000 A1	
NAME	SIGNATURE	DATE	UNLESS OTHERWISE SPECIFIED: DIMENSIONS ARE IN MILLIMETERS	DESCRIPTION: METRO FLAT BENCH SEAT (ALUM) 2000 LONG	
DRAWN M.RATTRAY		4/02/2014			
APPV'D			MATERIAL: REFER COMPONENTS		
Weight:			THICKNESS: N/A	DWG No: SPTP-BTD-A-SS-2000-d01 A1	
Surface Area:			FINISH: P-COATED	Dwg. Issue 1	
DO NOT SCALE DRAWING			This drawing remains the property of Tom Stoddart Pty Ltd & cannot be reproduced without prior permission.		
				A3	Sheet 1 of 4

ITEM NO.	PART NUMBER	Description	Exploded View/QTY.
1	CMCAS-1708 A	Metro; Sub-Surface Post; 440mm	2
2	CMCAS-1713 A	Casting;Alum;Metro;Flat Bench;End Frame;BTD/EF	2
3	CMCAS-1714 A	METRO FLAT BENCH SEAT RIB	1
4	MEAL-0437	Metro; Plank; 2000mm long	5
5	MEAL-0438	Plank;Edge;Metro;2000mm long	2



SPARE PARTS

STODDART
MANUFACTURING
 TOM STODDART Pty Ltd
 ACN 009 690 251
 www.stoddart.com.au

				PART No: SPTP-BTD-A-SS-2000 A1	
NAME	SIGNATURE	DATE	UNLESS OTHERWISE SPECIFIED: DIMENSIONS ARE IN MILLIMETERS	DESCRIPTION: METRO FLAT BENCH SEAT (ALUM) 2000 LONG	
DRAWN M.RATTRAY		4/02/2014			
APPV'D			MATERIAL: REFER COMPONENTS		
Weight:			THICKNESS: N/A	DWG No: SPTP-BTD-A-SS-2000-d01 A1	
Surface Area:			FINISH: P-COATED	Dwg. Issue 1	
DO NOT SCALE DRAWING			This drawing remains the property of Tom Stoddart Pty Ltd & cannot be reproduced without prior permission.		
			A3	Sheet 2 of 4	