

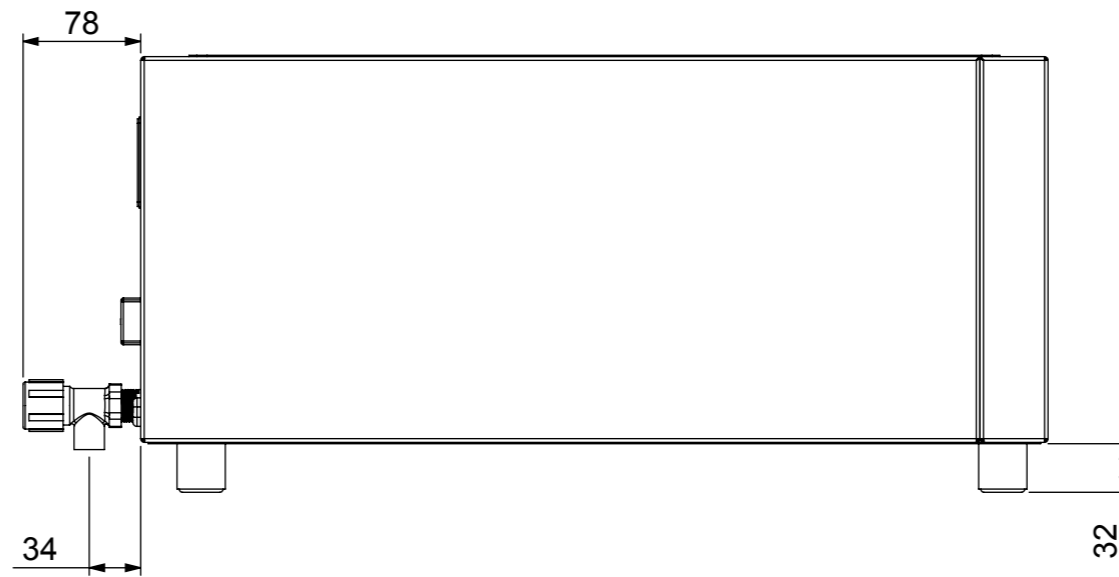
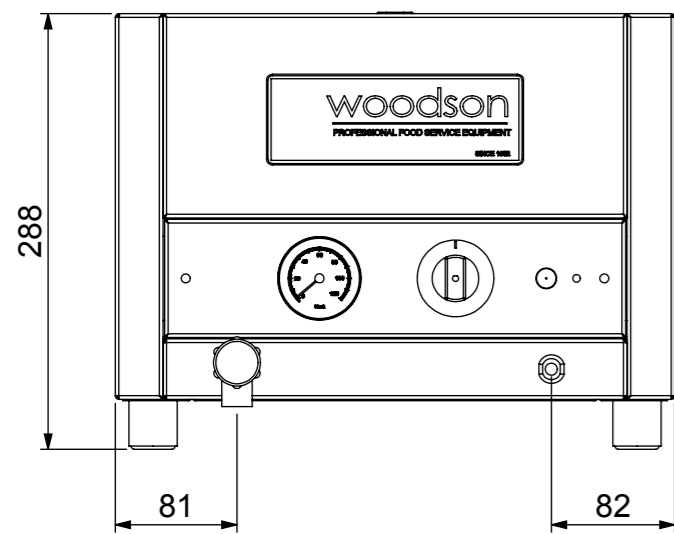
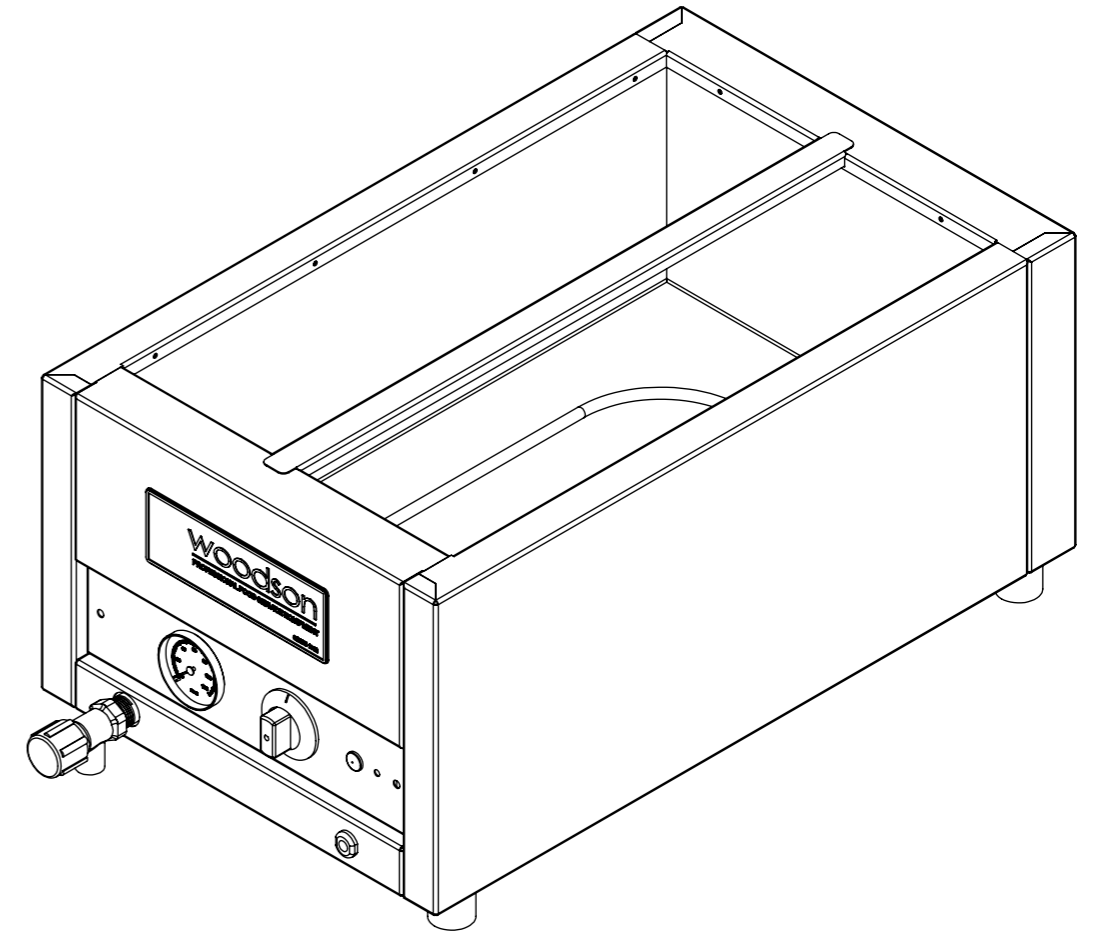
**DfcXi W8 YHJg**

Electrical Connection : 10 Amp Plug & Lead (supplied)

Electrical Rating : 240v, 3.1amps, 750w,  
: 1 element @ 750w

Waste : 13mm with 19mm drain  
and 1/2" BSP mini cistern cock

Unit Controls : Thermostat with dial thermometer



**GHC885FH**  
METAL FABRICATORS

TOM STODDART Pty Ltd ACN 009 690 251  
215 Jackson Rd Sunnybank Hills Qld 4109  
PO Box 420 Sunnybank Qld 4109  
Phone (617) 3345 5011 Fax (617) 3344 1000  
Email sunnybank@stoddart.com.au

*Quality in stainless steel*

DFC817H 1/1 Bain Marie		D5FHBc. K 6A G9815\$\$%	
B5A 9	G= B5H F9	85H9	1 B@GGCH:9FK 49 CD97 = 98.
8F5K B	N Wooler	3/08/2004	8-A 9B GC BG5F9-B'A @A 9HFG
5DDJ B			A 5H9F 5@
			H:7?B9GG
			: B G<.
8C BCHKG7 5@8F5K B:	H.kXfuk j[ fYa UjgAY d'cdYfmcZhta 'GcXXUfhDm#K/ WJbbchVY fYdfcXi WX k Jk.ci hdfc:fdYfa jpb"	5'	G.YYh%cz%
			REVISION <b>5</b>