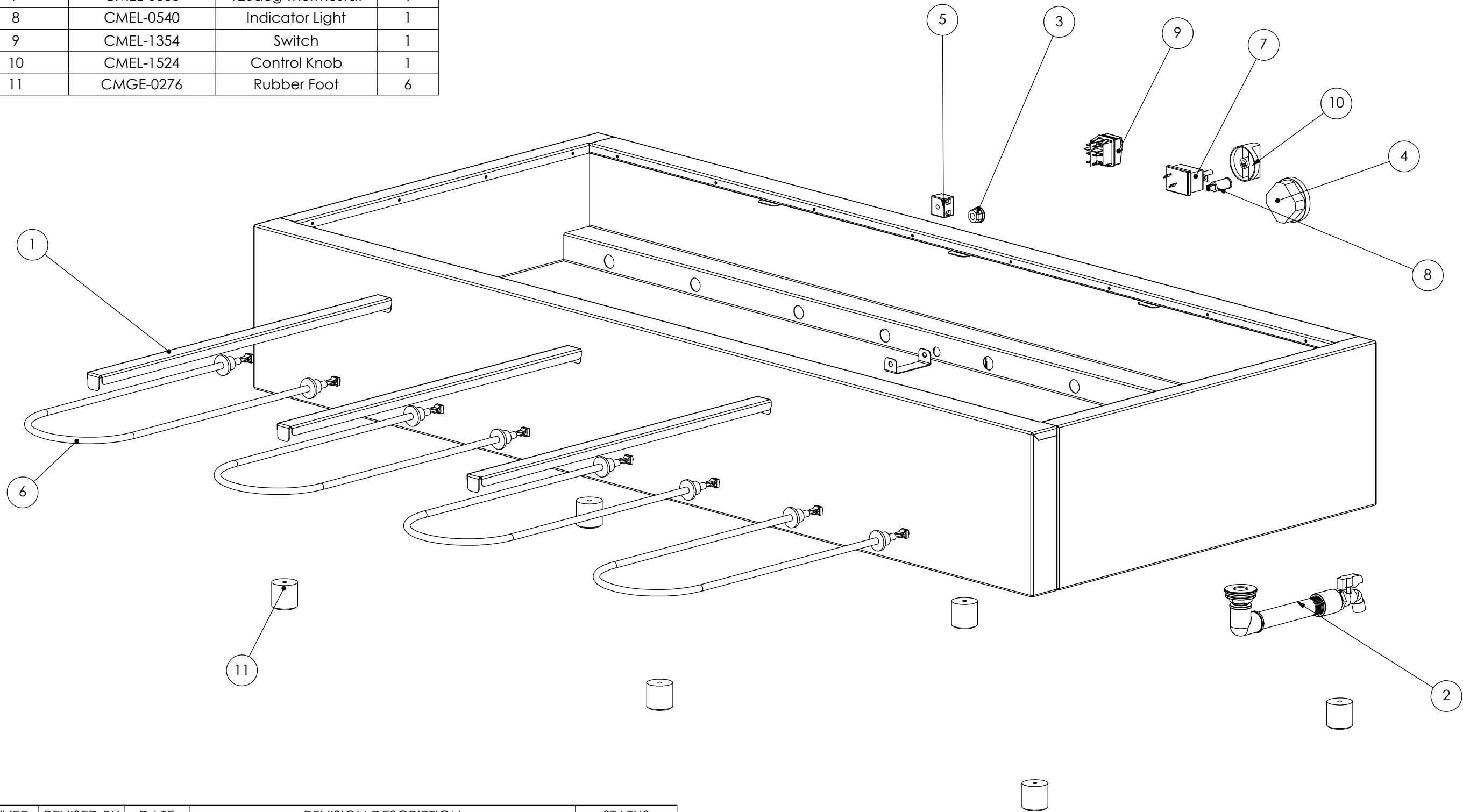


ITEM NO.	PART NUMBER	Spare Parts Description	QTY.
1	WOOD-p05 B	Pan Divider	3
2	SVMA-0113	BSP Pipe	1
3	CMEL-0075	Cord Grip	1
4	CMEL-0235	Thermometer	1
5	CMEL-0308	Terminal Block	1
6	CMEL-0332	Element	4
7	CMEL-0333	120deg Thermostat	1
8	CMEL-0540	Indicator Light	1
9	CMEL-1354	Switch	1
10	CMEL-1524	Control Knob	1
11	CMGE-0276	Rubber Foot	6



REV/VER.	REVISED BY	DATE	REVISION DESCRIPTION	STATUS
B2	J.Descroizilles	23/10/2019	Updated laser etching. Moved drain hole.	For Manufacture
B1	M Abdulla	22/03/2019	Drainage Fixture configuration Changed. Drainage Fixture Hole Positions shifted slightly. Decal Removed. Front Control Panel Split into two (p-07 & p-12 with bracket (p-13) added for fastening. Tab added to parts p-05 and p-06 Laser Engraving feature implemented on p-07. M5 Hexerts and screw clearances changed to suit M4. Parts Changed/Added: p-01, p-03 to p-13	For Manufacture
A2	N Wooler	18/02/2015	Revision\version change from A1 to A2. All parts made from 430 N4 material has changed to 304 N4. Parts -p02 to -p11 revisions have changed from A to B.	For Manufacture
A1	N Wooler	25/07/2014	Original design.	For Manufacture



www.stoddart.com.au

				PART No: <b>W-BMA24 B2</b>	
				DESCRIPTION: Spare Parts	
DRAWN: J.Descroizilles		CHECKED: ✓	DATE: 22/10/2019	UNLESS OTHERWISE SPECIFIED: DIMENSIONS ARE IN MILLIMETERS	
APPVD:		CHECKED: ✓		MATERIAL:	
Weight:				THICKNESS:	
Surface Area:				FINISH:	
DO NOT SCALE DRAWING		This drawing remains the property of Tom Stoddart Pty Ltd ABN 16 009 690 251 & cannot be reproduced without prior permission.			DWG No: <b>W-BMA24-d01 B2</b>
					Dwg. Issue: <b>1</b>

File Location: G:\03\_Engineering\Woodson\W-BMA2x Large Bain Marie\01\_Solidworks\W-BMA24 4 Module\