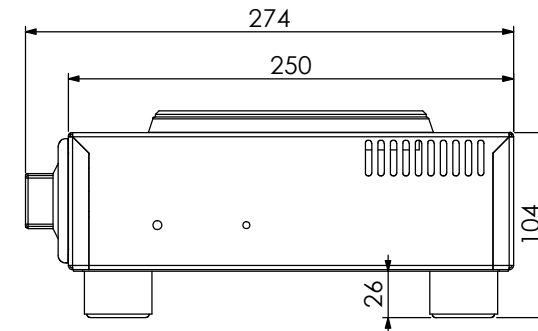
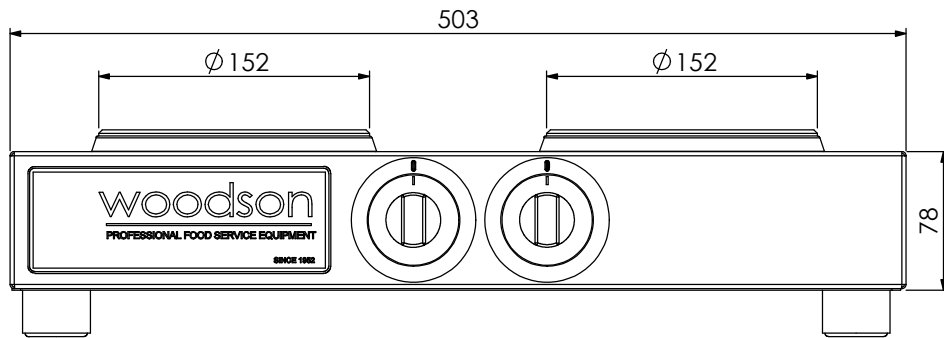
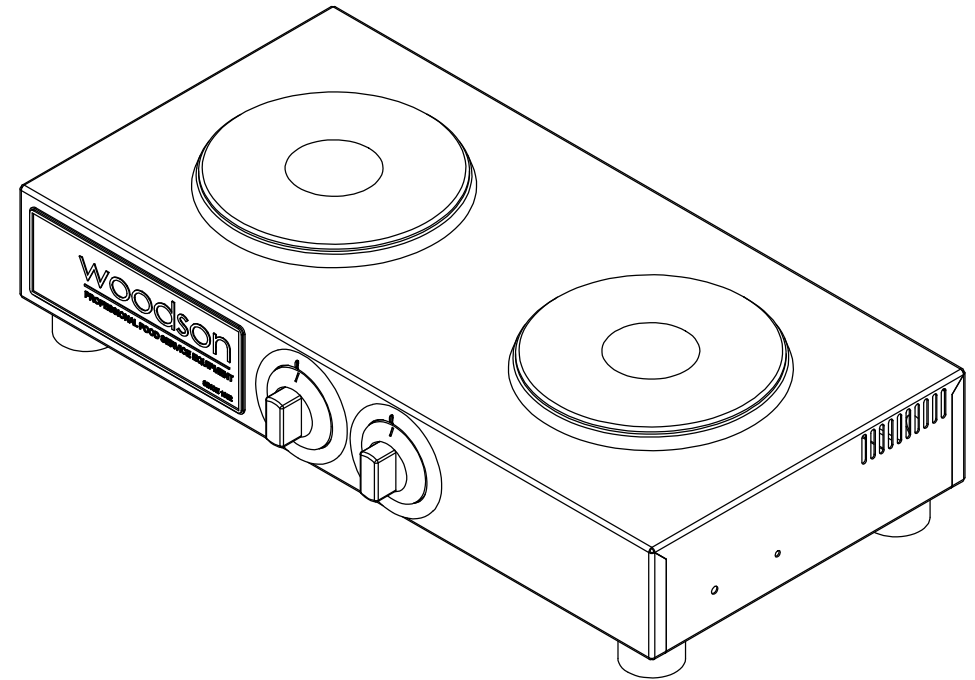
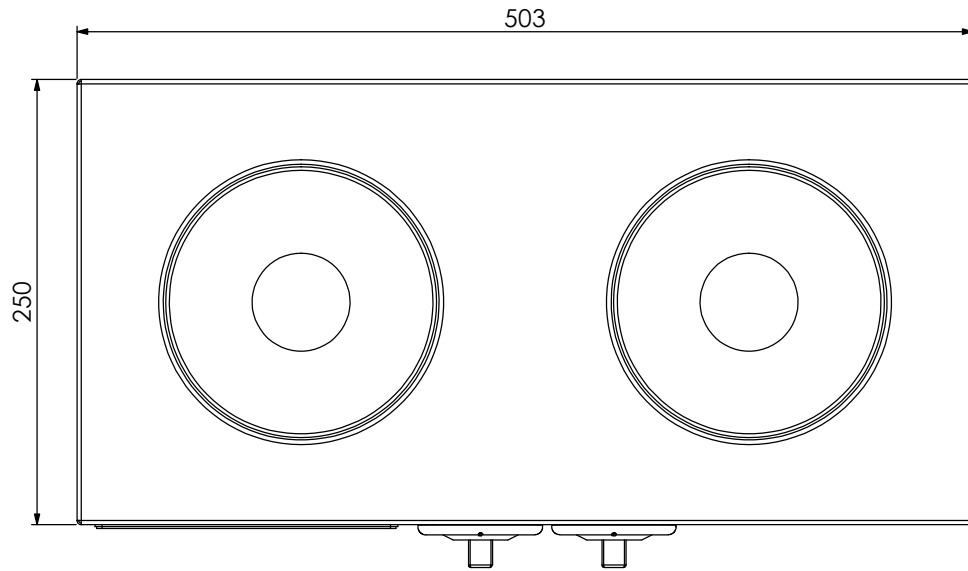


Product Details

Electrical Connection : Supply single phase
 : 240v, 10amps, 2000w, 10amp plug & lead supplied
 : 2 elements @ 1000w (240V)
 Unit Controls : Knob for 6 position rotary switch for each element



REV/VER.	REVISED BY	DATE	REVISION DESCRIPTION	STATUS
C1	W Preece	22/07/2019	Form operation added. Ventilation holes update. Feet changed to CMPR.0019.	For Manufacture
B1	N Wooler	28/08/2014	Revision/version changed from A to B1. New SW file name structure introduced. Material changed from 430 BA to 430 N4. All part revisions have changed.	For Manufacture
A	N Wooler	01/03/2005	Original design.	For Manufacture



www.stoddart.com.au

				PART No: W-BPD20 C1	
				DESCRIPTION: Woodson;Boiling Plate;Double	
DRAWN	N Wooler	CHECKED	1/03/2005	UNLESS OTHERWISE SPECIFIED; DIMENSIONS ARE IN MILLIMETERS	
APP'VD	W Preece		22/07/2019	MATERIAL:	
Weight:				THICKNESS:	
Surface Area:				FINISH:	
				DWG No: W-BPD20-d01 C1	
				Dwg. Issue 1	
NO NEXT SCALE DRAWING This drawing remains the property of Tom Stoddart Pty Ltd ABN 16 009 690 251 & cannot be reproduced without prior permission					