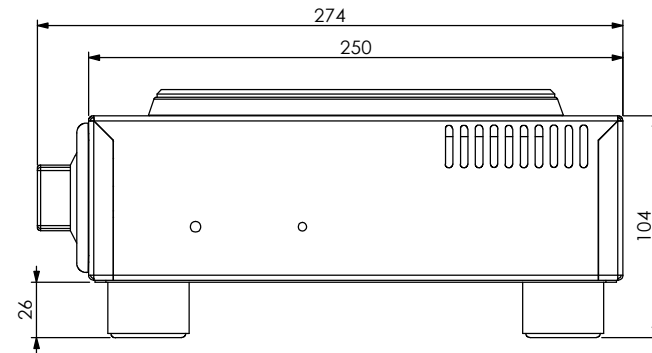
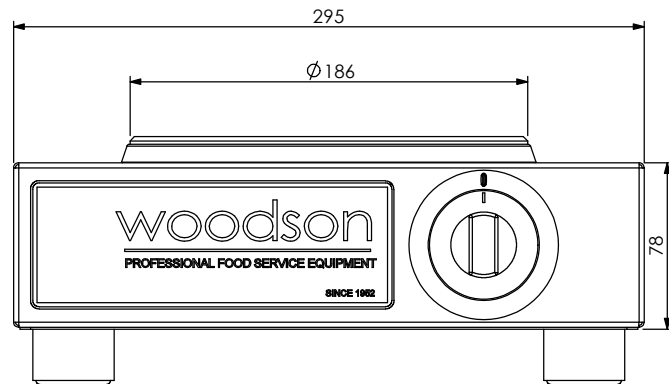
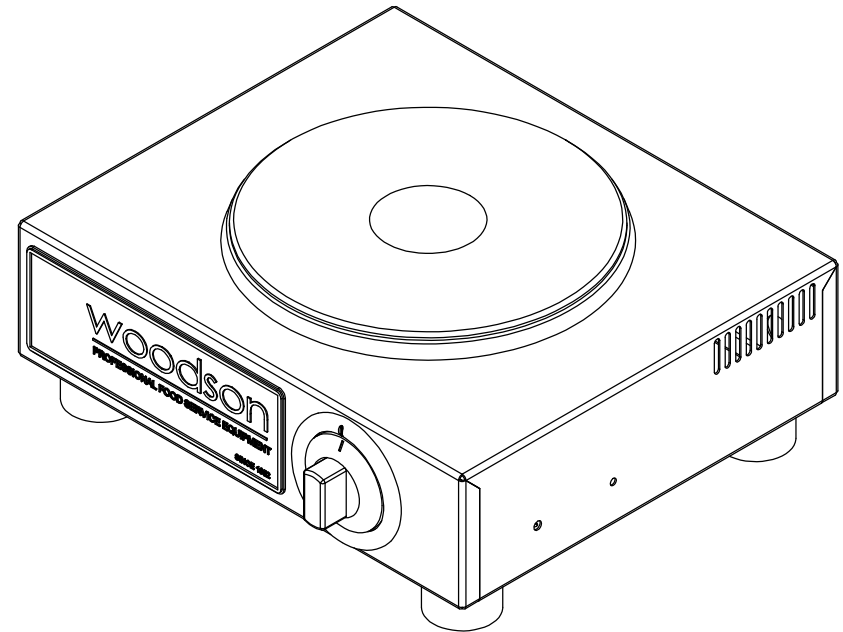
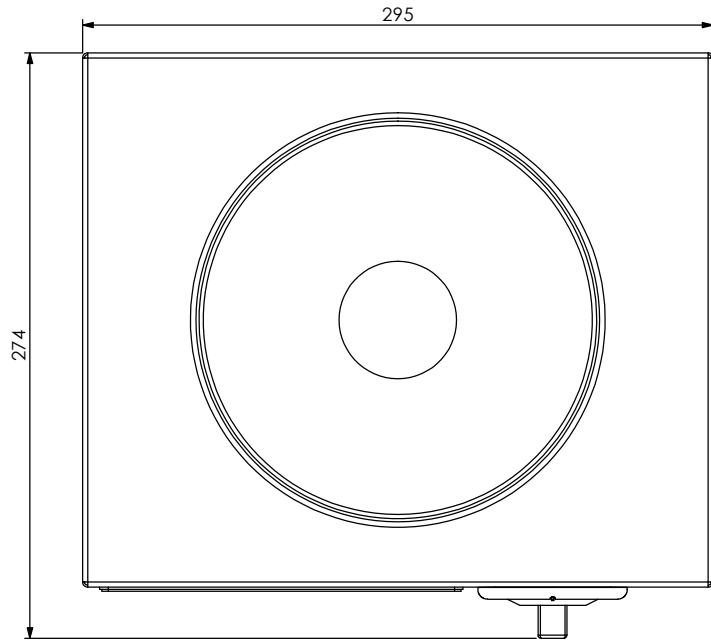


**Product Details**

Electrical Connection : Supply single phase  
 : 240v, 10amps, 2000w, 10amp plug & lead supplied  
 : 1 element @ 2000w (240V)  
 Unit Controls : Knob for 6 position rotary switch



REV/VER.	REVISED BY	DATE	REVISION DESCRIPTION	STATUS
C1	W Preece	15/01/2020	Form emboss added to model. Ventilation holes modified.	For Manufacture
B1	N Wooler	28/08/2014	<b>No fold sizes have changed.</b> Material changed from 430 BA to 430 N4. New Sw file name structure introduced. Unit was previously known as SP-WBPS10-A001. All part revisions have changed.	For Manufacture
A	N Wooler	01/03/2005	Original design.	For Manufacture



www.stoddart.com.au

				PART No: <b>W-BPS10 C1</b>	
				DESCRIPTION: Single Boiling Plate	
DRAWN:	N Wooler	CHECKED:	✓	DATE:	1/03/2005
APP'VD:	W Preece	CHECKED:	✓	DATE:	15/01/2020
				UNLESS OTHERWISE SPECIFIED: DIMENSIONS ARE IN MILLIMETERS	
				MATERIAL:	
				THICKNESS:	
				FINISH:	
Weight:				Dwg No: <b>W-BPS10-d01 C1</b>	
Surface Area:				Sheet 1 of 6	
DO NOT SCALE DRAWING This drawing remains the property of Tom Stoddart Pty Ltd ABN 16 009 690 251 & cannot be reproduced without prior permission					