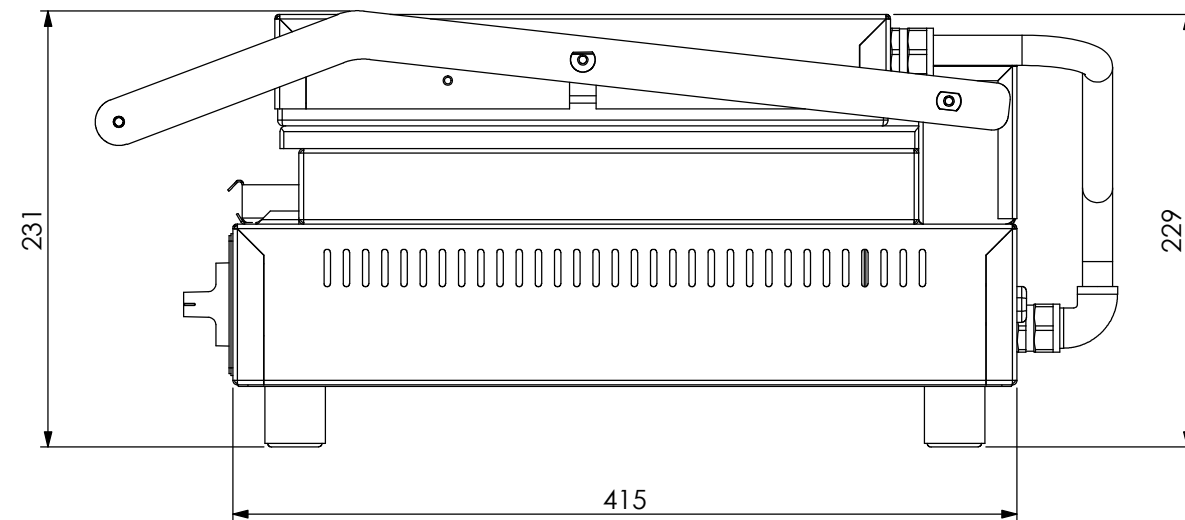
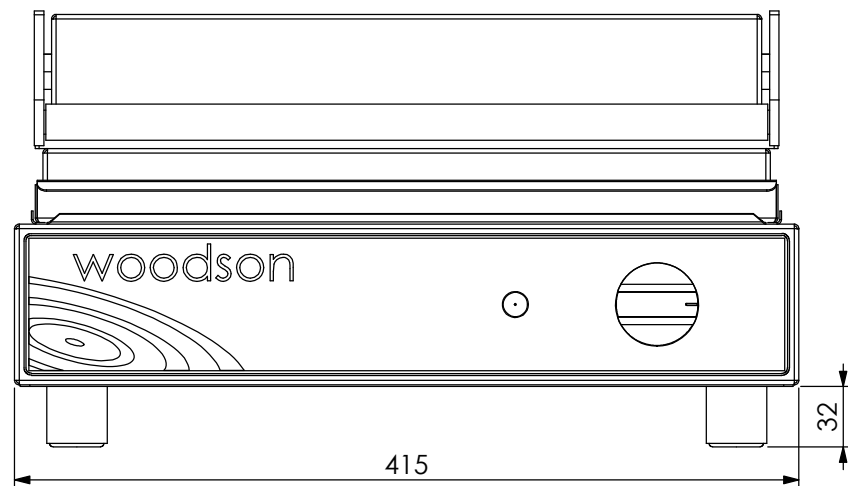
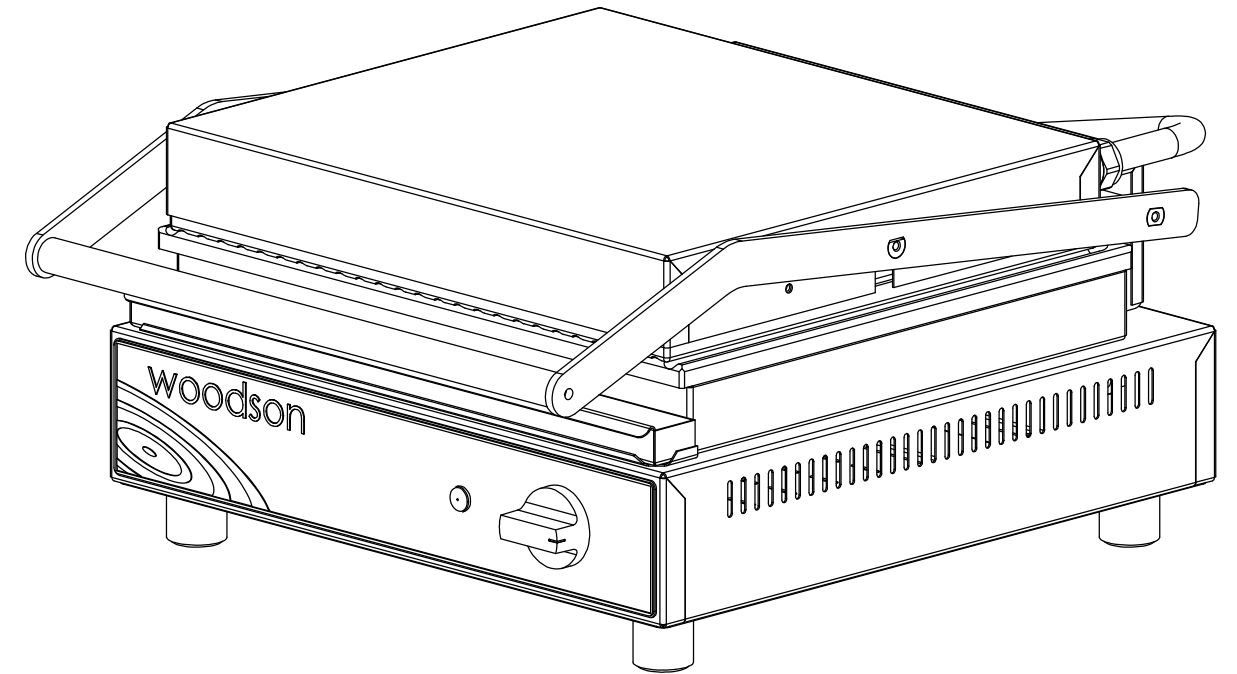


Product Details

Electrical Connection : Supply single phase
 : 240v, 9.2amps, 2200w, 10amp plug & lead supplied
 : Top element @ 1000w (240V)
 : Bottom element @ 1200w (240V)
 Unit Controls : Knob for 250deg thermostat with indicator light
 Toasting Plate Size : Effective plate area 365 x 315 mm



REV/VER.	REVISED BY	DATE	REVISION DESCRIPTION	STATUS
A3	J.Descroizilles	10/01/2020	Updated SVMA-0122 lifting arm. This change eliminates possible interference experienced between the top cooking plate and the Spring Case Lid	For Manufacture
A2	N Wooler	Approx. 08/2015	No part revisions have changed. Approx. August 2015 electrical conduit components changed. CMEL.1822 replaced CMEL.1367. CMEL.1823 replaced CMEL.1368. CMEL.1824 replaced CMEL.0537.	For Manufacture
A1	W Preece	5/09/2014	Original Design	For Manufacture



www.stoddart.com.au

				PART No: W-CT6R A3	
NAME	SIGNATURE	DATE	UNLESS OTHERWISE SPECIFIED: DIMENSIONS ARE IN MILLIMETERS	DESCRIPTION:	
W Preece		9/05/2014			
APPV'D			MATERIAL:	DWG No:	Dwg. Issue
Weight:		THICKNESS:	W-CT6R-d01 A3		2
Surface Area:		FINISH:			
DO NOT SCALE DRAWING This drawing remains the property of Tom Stoddart Pty Ltd ABN 16 009 690 251 & cannot be reproduced without prior permission. A3 Sheet 1 of 18					

File Location: G:\03_Engineering\Woodson\W-CTx Contact Toasters\01_Solidworks\W-CT6R Contact Toaster 6 Slice Ribbed\