

**Product Details**

Electrical Connection : 10A, 1Φ, 3-Pin plug and lead (supplied)

Electrical Rating : 240V, 50Hz, 9.2A, 2200W

: Top Heating Element @ 1000W (240V)

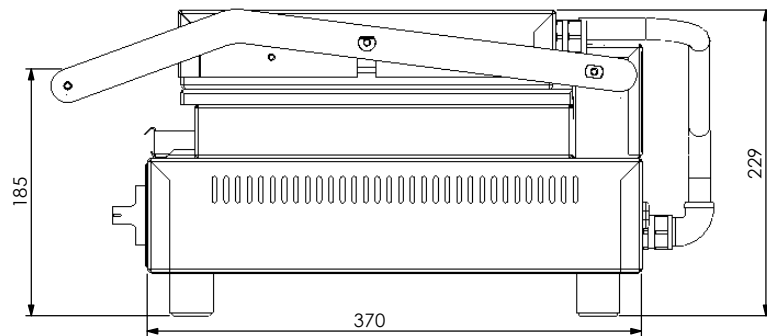
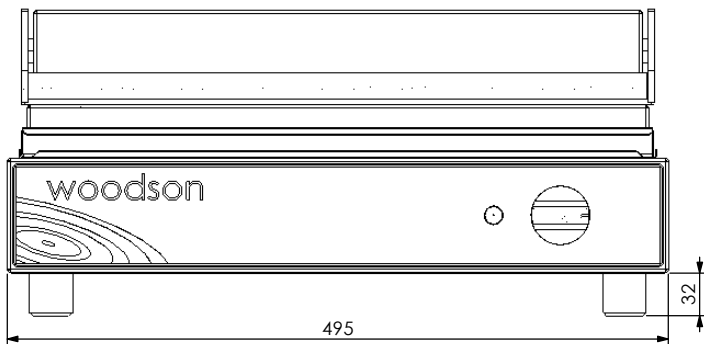
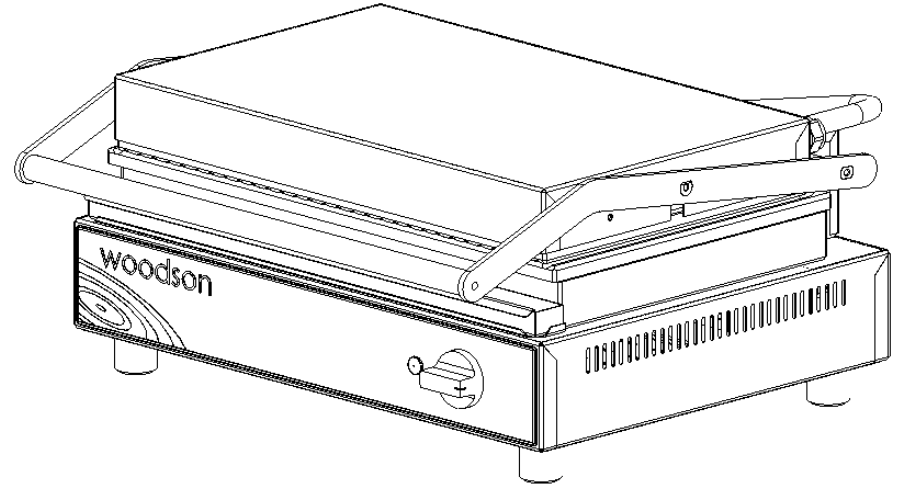
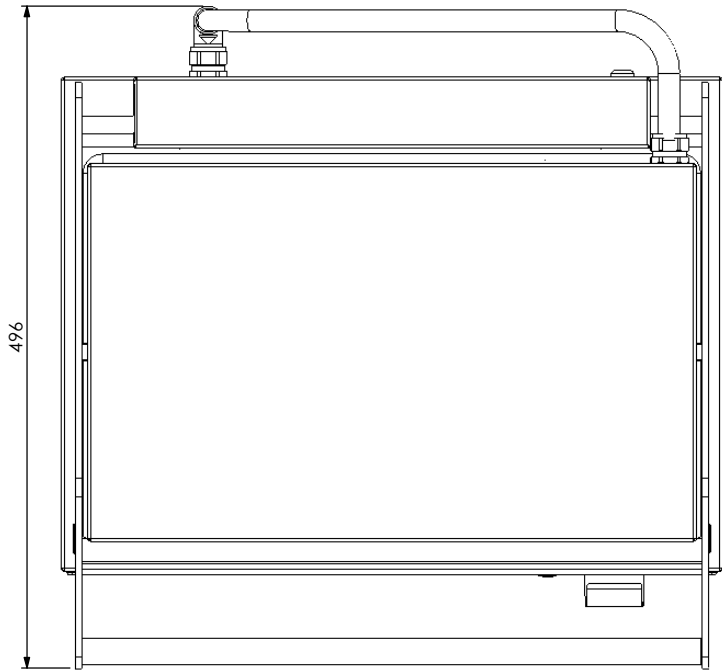
: Bottom Heating Element @ 1200W (240V)

Unit Controls

: Control knob for 250deg thermostat with indicator light

Toasting Plate Size

: Effective plate area 445 x 275mm



REV/VER.	REVISED BY	DATE	REVISION DESCRIPTION	STATUS
A1	M Sheehan	16/01/2017	Original design - new product based on W-CT8 Rev C1	For Manufacture



www.stoddart.com.au

				PART No: <b>W-CT8R A1</b>	
DRAWN	M Sheehan	SIGNATURE	DATE	UNLESS OTHERWISE SPECIFIED: DIMENSIONS ARE IN MILLIMETERS	
APPV'D			16/01/2017	DESCRIPTION: Woodson;Contact Toaster;8 Slice Capacity;Ribbed	
Weight:			THICKNESS:	DWG No: W-CT8R-d01 A1	
Surface Area:				FINISH:	
DO NOT SCALE DRAWING				This drawing remains the property of Tom Stoddart Pty Ltd ABN 16 009 690 251 & cannot be reproduced without prior permission	
				A3	Sheet 1 of 11

File Location: G:\03\_Engineering\Woodson\W-CTx Contact Toasters\01\_Solidworks\W-CT8R Contact Toaster 8 Slice Ribbed\