

Product Details

Electrical Connection

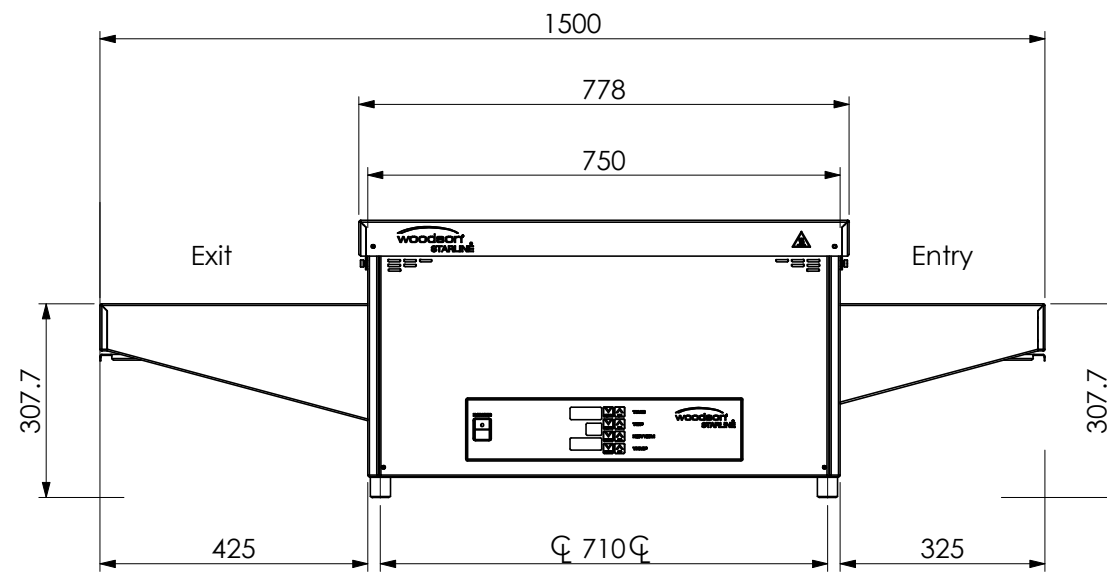
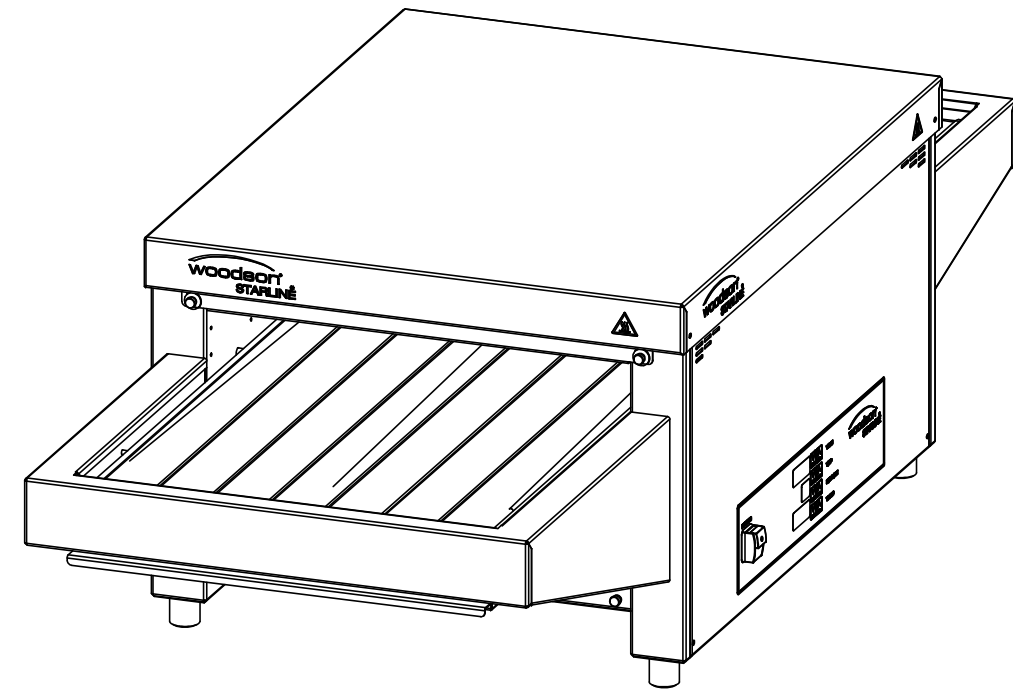
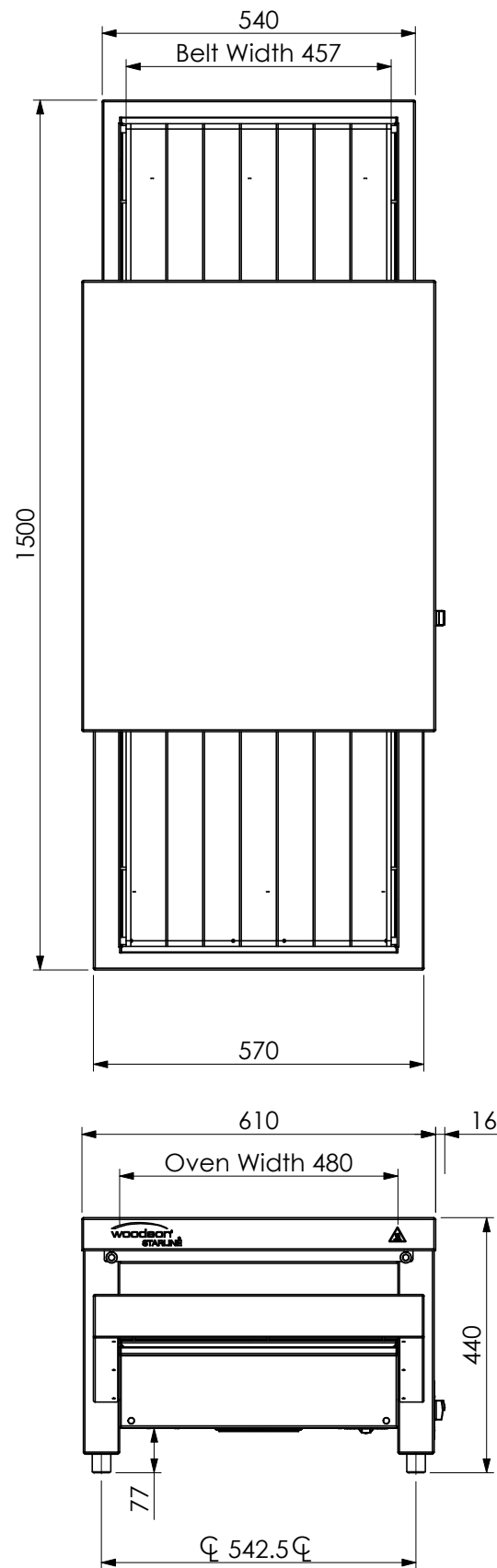
- 15A 3Ø + N + E (No plug supplied)
- 240v, 10.8KW, 50Hz
- 18 elements @ 600w (80V)

Unit Controls

- Control Board for Speed and Temperature

Oven Chamber

- Chamber Width = 480mm
- Chamber Length = 750mm
- Chamber Entry/Exit Height = 20-55mm (Variable)
- Conveyer Belt Width = 457mm



| REV/VER. | REVISED BY | DATE | REVISION DESCRIPTION | STATUS |
|----------|------------|------------|--|-----------------|
| B1 | W Preece | 6/07/2016 | Redesign of Starline Product | For Manufacture |
| B2 | JeremyD | 30/09/2016 | Base Panel split and lifted 45mm. Dim 440 was 395. | For Manufacture |
| C1 | JeremyD | 3/11/2017 | ?New Circuit Board. Added Encoder. Revised Venting | For Manufacture |
| C2 | T Herron | 27/03/2018 | Hexserts Added for Stacking Kit, Thumb Screws to Replace Wing Screws, Hexerts Sizes Changed to Suit M4 | For Manufacture |
| D1 | JeremyD | 10/06/2019 | Updated Thermocouple probes to screw-in type & new position. Updated lid etching. Elements now fitted from one side. | For Manufacture |



www.stoddart.com.au

| | | | |
|----------------------|---------|-----------|--|
| NAME | CHECKED | DATE | UNLESS OTHERWISE SPECIFIED: DIMENSIONS ARE IN MILLIMETERS |
| W Preece | ✓ | 7/07/2016 | |
| APPV'D | ✓ | | MATERIAL: |
| Weight: | ⊕ | | THICKNESS: |
| Surface Area: | | FINISH: | |
| DO NOT SCALE DRAWING | | | |

| |
|--|
| PART No: W-CVP-C-18 D1 |
| DESCRIPTION: Woodson; Starline; Pizza 18; 10.8KW; Conveyor Oven; |
| DWG No: W-CVP-C-18-d01 D1 |
| Dwg. Issue 1 |
| A3 Sheet 1 of 22 |