

Belt Width
254

Product Details

Electrical Connection

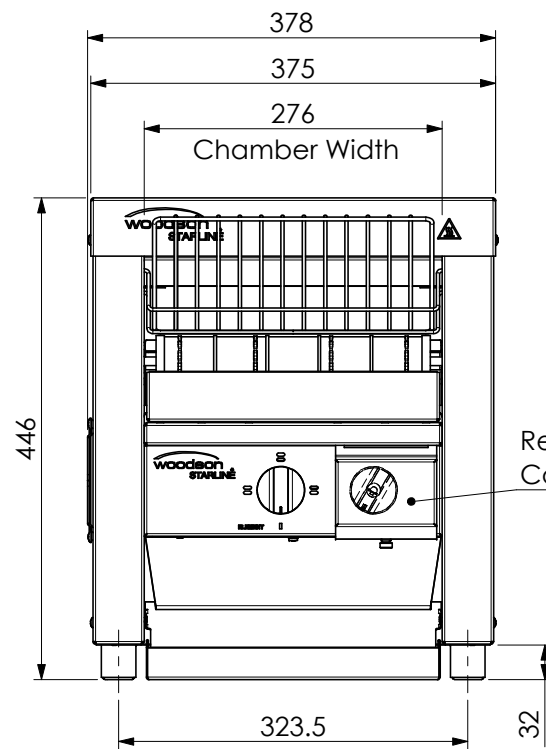
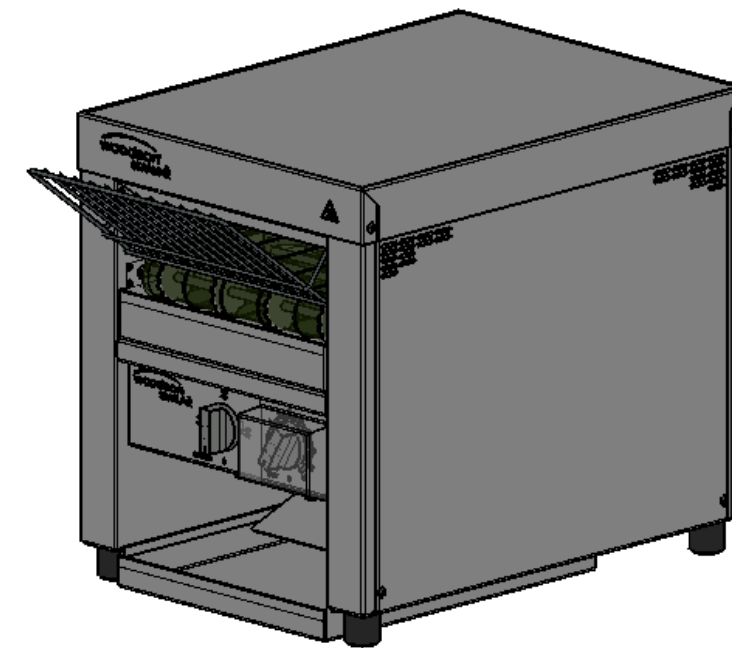
- 10A Supplied with Plug and Lead
- 240v, 10Amps, 50Hz
- 2 elements @1050W (240V)

Unit Controls

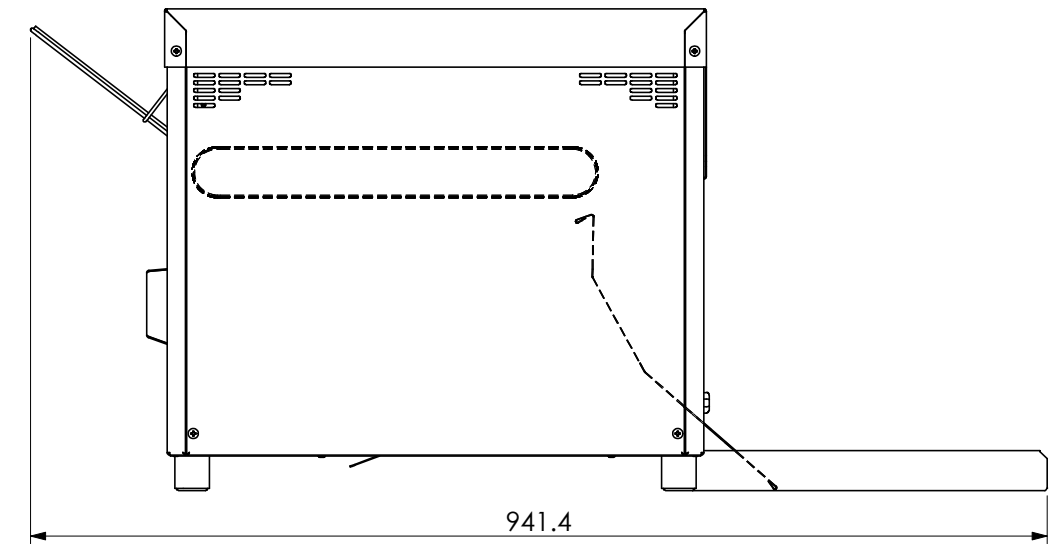
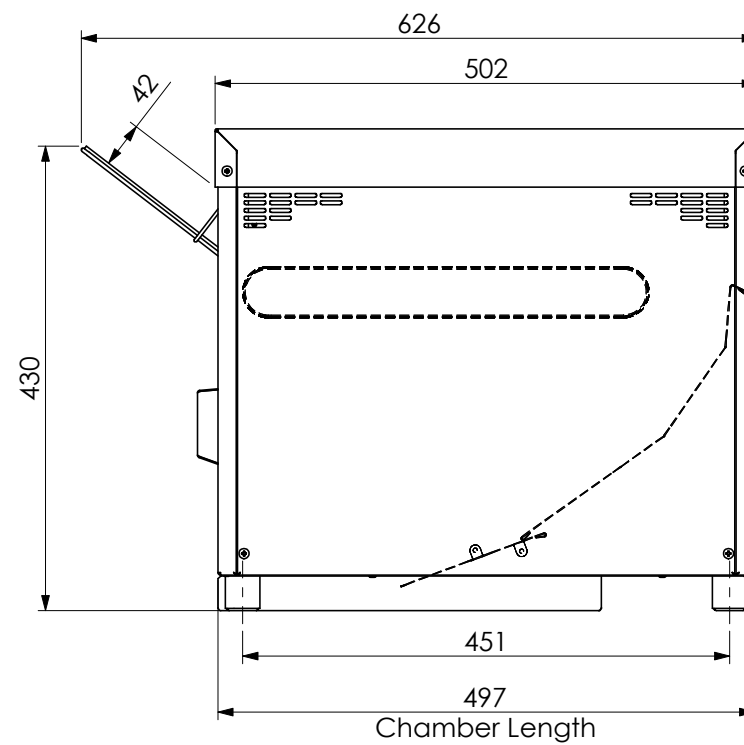
- Main Switch for Power
- Analog Controls for upper & lower elements
- Variable Belt Speed

Oven Chamber

- Chamber Width = 276 mm
- Chamber Length = 497 mm
- Chamber Entry/Exit Height = 40mm Max.
- Convyeor Belt Width = 254 mm



Removable Speed
Controller Cover



Rear Exit

REV/VER.	REVISED BY	DATE	REVISION DESCRIPTION	STATUS
A1	JeremyD	7/06/2018	Original Design	For Manufacture
A2	JeremyD	27/06/2018	Increased Unit Width by 10mm	For Manufacture
A3	JeremyD	4/09/2018	Changed Potentiometer mounting	For Manufacture
A4	JeremyD	5/11/2018	Updated p12/p13 & minor drawing updates, no part dimensionally changed	For Manufacture
B1	JeremyD	30/01/2019	Added Dial Stop Plate. Updated p03/04/05	For Manufacture
C1	JeremyD	8/03/2019	Deleted decal. Added laser etching.	For Manufacture
C2	J.Descroizilles	16/05/2019	Added stiffener & lid etching. Updated head and tail pulleys. Various sheetmetal parts updated to be able to accomodate CMPR.0019 feet used in Indonesia.	For Manufacture
C3	J.Descroizilles	3/07/2019	Added p45 & Chain break guide. Updated p12	For Manufacture
C4	J.Descroizilles	15/08/2019	Added p52&53 to aid pressing & assembly. Updated laser etching on lid.	For Manufacture



www.stoddart.com.au

				PART No: W-CVT-D-10 C4	
DRAWN	J.Descroizilles	CHECKED	✓	DATE	1/01/2015
APPV'D		CHECKED	✓	UNLESS OTHERWISE SPECIFIED: DIMENSIONS ARE IN MILLIMETERS	
Weight:		THICKNESS:		DESCRIPTION: Woodson; Starline; Kwik Toast 10; 10Amp Conveyor Toaster;	
Surface Area:		FINISH:		DWG No: W-CVT-D-10-d01 C4	
DO NOT SCALE DRAWING				This drawing remains the property of Tom Stoddart Pty Ltd ABN 16 009 690 251 & cannot be reproduced without prior permission.	
				A3	Sheet 1 of 19

File Location: G:\03_Engineering\Woodson\W-CVx Conveyor Toasters & Ovens\01_Solidworks\W-CVT-D-10 - Tunnel Toaster\