

## Auto Lift Countertop Fryer

### W.FAS80

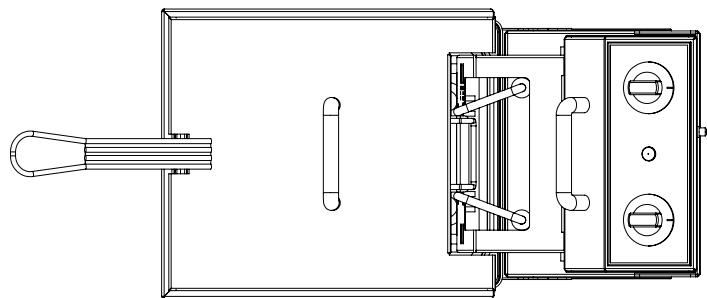


#### Product Information:

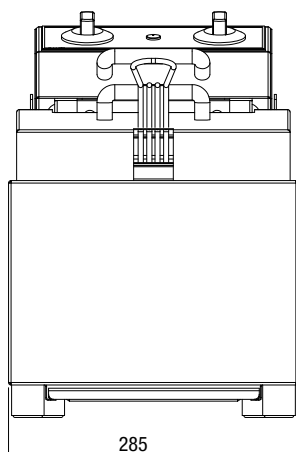
- Auto-Lift Fryer 8L fryer
- Mechanical thermostat temperature control
- Designed for 180°C frying
- Suitable for use with liquid oil only
- Over temperature safety cut-out as standard
- Stainless steel element cover
- Basket holder at rear for draining
- Easily removable oil tank (1/2 GN)
- Snug fitting stainless steel tank cover
- Drip tray supplied complete with basket(s)
- Element guards and fish plate provided
- Power on and indicator light
- **12 months on-site parts and labour warranty**

#### Specifications:

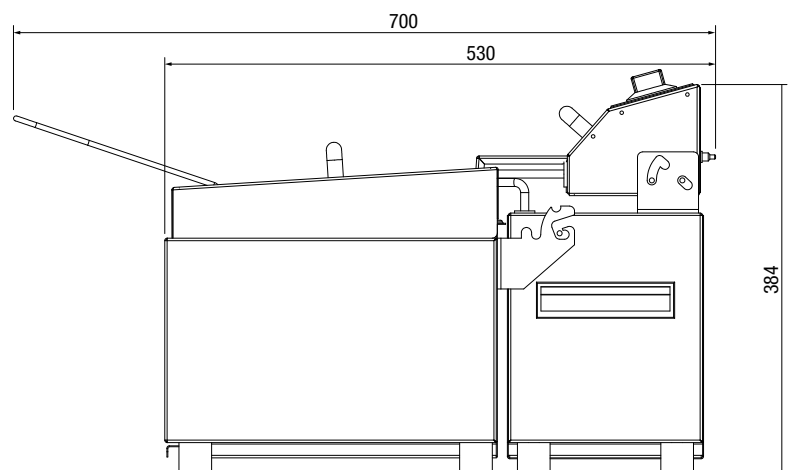
<b>Model</b>	<b>W.FAS80</b>
<b>Height</b>	384mm
<b>Width</b>	285mm
<b>Depth</b>	700mm
<b>Weight</b>	15
<b>Power</b>	2.9kW
	15A plug & lead fitted
<b>Capacity</b>	8 Litre



Top View



Front View



Side View

Due to continuous product research and development, the information contained herein is subject to change without notice.

Revision: 24/06/2020

[www.stoddart.com.au](http://www.stoddart.com.au)

[www.stoddart.co.nz](http://www.stoddart.co.nz)