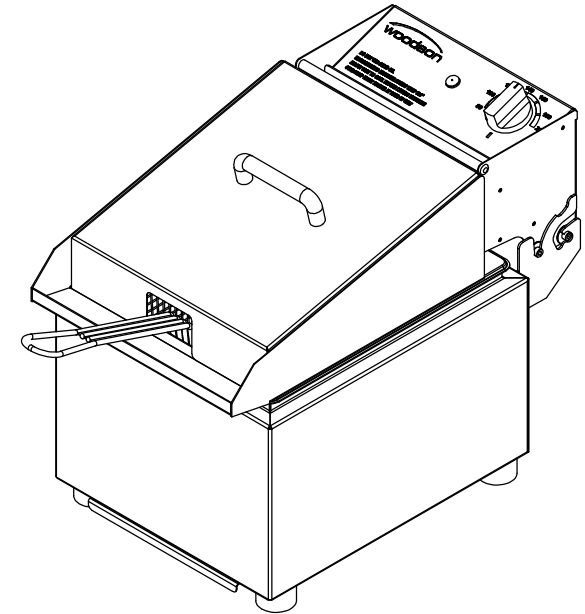
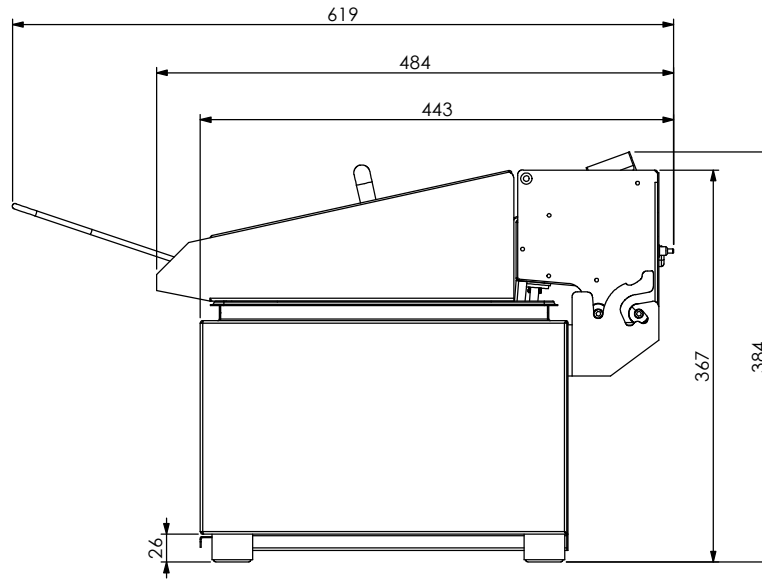


**Product Details**

Electrical Connection : Supply single phase  
 : 240v, 13.4amps, 3200w, 15amp plug & lead supplied  
 : 1 element @ 3200w (240V)  
 Pan Size : 1/2 x 200 deep, 1 of  
 Unit Controls : Knob with 205deg thermostat and indicator light  
 : Reset button for 238deg thermal overload



REV/VER.	REVISED BY	DATE	REVISION DESCRIPTION	STATUS
C2	T Herron	28/11/2019	Splashguard updated to suit SAP pan, no fold sizes have changed	For Manufacture
C1	T Herron	03/06/2019	Splashguard added, hinge changed to be 3 position, body changed to make removal of pan easier when oil is present, pivot bolt location have also changed.	Revised
B1	N Wooler	04/09/2014	Material changed from 430 BA to 430 No.4. All part revisions have changed. Refer to each part sheet for details of revision change. Unit previously known as SP-WFRS50.	Revised
A2	N Wooler	Approx. 2013	New SW file name structure introduced.	Revised
A1	N Wooler	01/03/2005	Original design.	Revised



www.stoddart.com.au

				PART No: <b>W-FRS80 C2</b>	
				DESCRIPTION: Woodson;Single Pan Fryer;8.0L	
DRAWN	NAME	CHECKED	DATE	UNLESS OTHERWISE SPECIFIED; DIMENSIONS ARE IN MILLIMETERS	
APPV'D	M Rattray		10/06/2019	MATERIAL:	
Weight:		THICKNESS:		DWG No: <b>W-FRS80 C2 d01</b>	
Surface Area:		FINISH:		Dwg. Issue <b>1</b>	
DO NOT SCALE DRAWING This drawing remains the property of Tom Stoddart Pty Ltd ABN 16 009 690 251 & cannot be reproduced without prior permission A3 Sheet 1 of 24					