

Product Details

Electrical Connection : Supply 15A single phase
 : 230V, 15A, 3300W, 15A plug & lead supplied
 : 1 element @ 2200W (230V) for Griddle function
 : 1 element @ 1100W (230V) for Toasting function

Unit Controls

: 1 Thermostat, 1 Simmerstat
 : Thermostat controls of griddle plate
 : Simmerstat controls toasting chamber

Plate Size

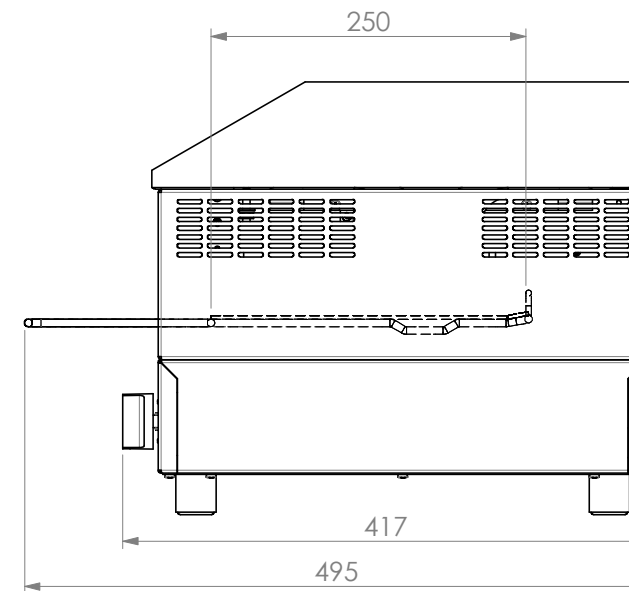
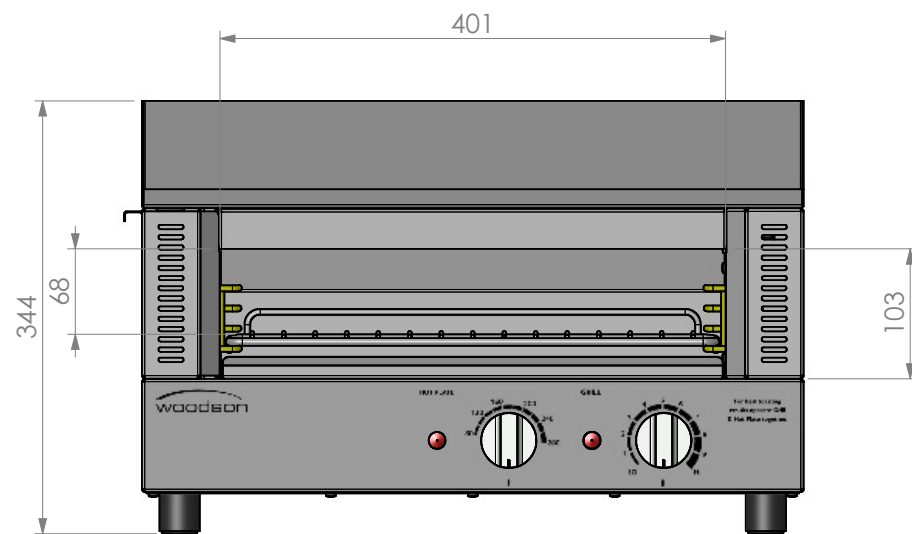
: 523 x 337 x 8 mm

Chamber Size

: 401 x 103 x 250 mm

Max. Entry Height

: 68 mm



REV/VER.	REVISED BY	DATE	REVISION DESCRIPTION	STATUS
C1	J.Descroizilles	3/10/2018	Complete Product Redesign. Product ID was W.GDT65.	For Manufacture
B1	N Wooler	14/08/2014	Revision\version change from A to B1. Material changed from 430 BA to 430 No.4. New SW file name structure introduced. All part revisions have changed. Refer to each part sheet for details of revision change. Unit was previously known as SP-WGDT65.	For Manufacture
A1	N Wooler	01/03/2005	Original design.	For Manufacture



www.stoddart.com.au

				PART No: W-GDT65-15-a00 C1	
				DESCRIPTION: Woodson;Griddle Toaster;523 x 337mm Plate;15amp	
DRAWN J.Descroizilles			SIGNATURE	DATE 1/02/2017	DWG No: W-GDT65-15 C1-d01
APPV'D			UNLESS OTHERWISE SPECIFIED: DIMENSIONS ARE IN MILLIMETERS		Dwg. Issue 1
Weight:			MATERIAL:		
Surface Area:			THICKNESS:		
			FINISH:		
DO NOT SCALE DRAWING This drawing remains the property of Tom Stoddart Pty Ltd ABN 16 009 690 251 & cannot be reproduced without prior permission. A3 Sheet 1 of 5					

File Location: G:\03_Engineering\Woodson\W-GDTxx Griddle Toaster\01_Solidworks\W-GDT65-15 Griddle Toaster\