

Product Details

Electrical Connection : Supply 20A single phase
 : 230V, 20A, 4300W, 20A plug & lead supplied
 : 1 element @ 3200W (230V) for Griddle function
 : 1 element @ 1100W (230V) for Toasting function

Unit Controls

: 1 Thermostat, 1 Simmerstat
 : Thermostat controls of griddle plate
 : Simmerstat controls toasting chamber

Plate Size

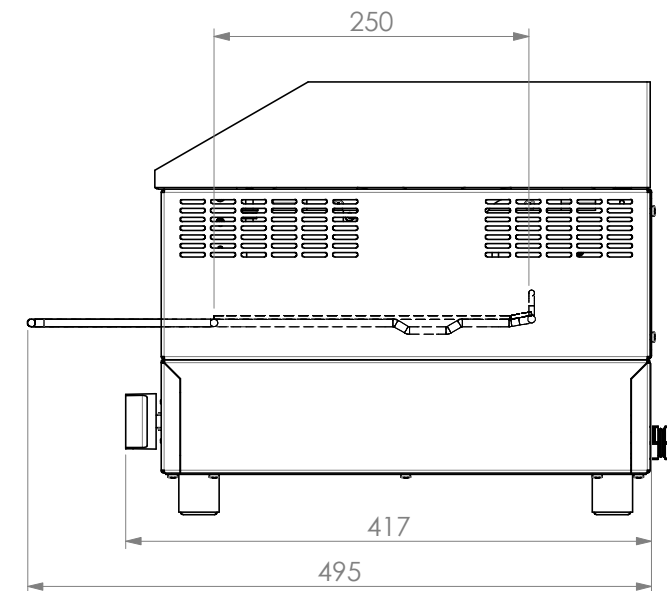
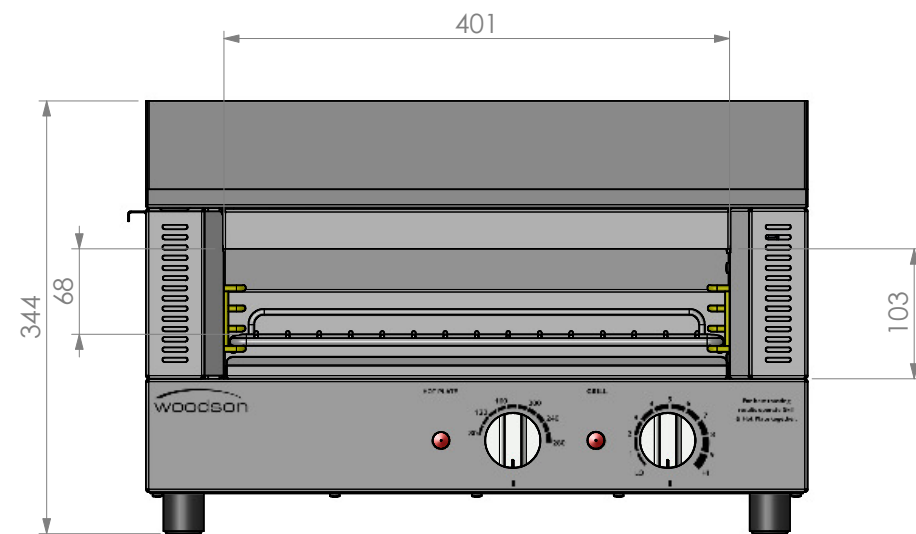
: 523 x 337 x 8 mm

Chamber Size

: 401 x 103 x 250 mm

Max. Entry Height

: 68 mm



www.stoddart.com.au

				PART No: W-GDT65-20-a00 A1	
				DESCRIPTION: Woodson;Griddle Toaster;523 x 337mm Plate;20amp	
				Dwg. Issue	
				Dwg No: W-GDT65-20 A1-d01	
				1	
DO NOT SCALE DRAWING				This drawing remains the property of Tom Stoddart Pty Ltd ABN 16 009 690 251 & cannot be reproduced without prior permission.	
				A3 Sheet 1 of 5	

REV/VER.	REVISED BY	DATE	REVISION DESCRIPTION	STATUS
A1	J.Descroizilles	3/10/2018	Complete Product Redesign	For Manufacture

File Location: G:\03_Engineering\Woodson\W-GDTxx Griddle Toaster\01_Solidworks\W-GDT65-20 Griddle Toaster\