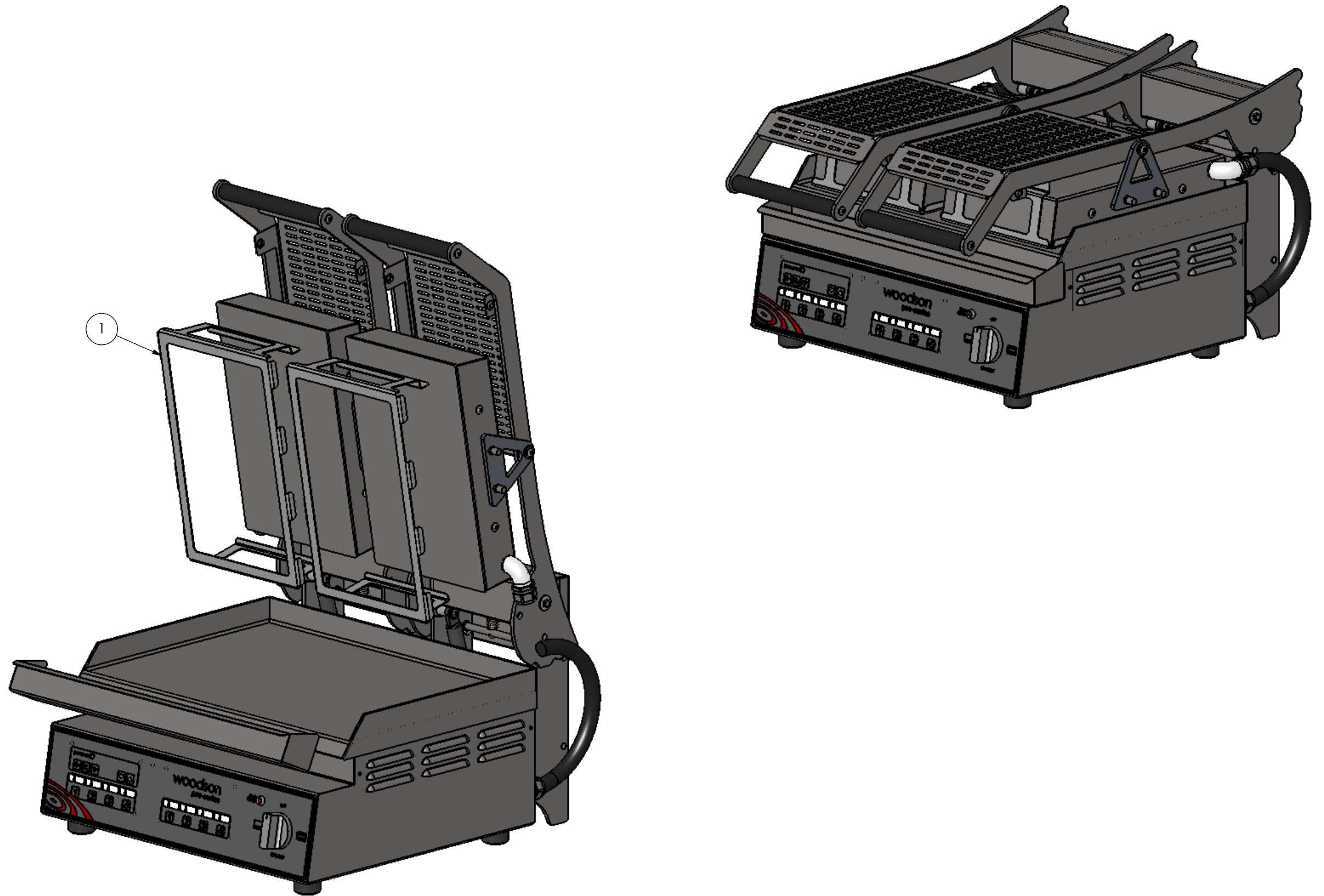


Item No.	Part Number	Description	QTY.
1	W-GPC62SC-TCS-p01 B	Woodson;Teflon Clamping System;WGPC62SC	2



REV/VER.	REVISED BY	DATE	REVISION DESCRIPTION	STATUS
B1	J.Descroizilles	13/11/2019	Redesign	For Manufacture
A1	M.Sheenan	1/05/2013	Original Design	For Manufacture



www.stoddart.com.au

				PART No: W-GPC62SC-TCS B1	
				DESCRIPTION:	
DRAWN	J.Descroizilles	CHECKED	✓	DATE	25/07/2019
				UNLESS OTHERWISE SPECIFIED: DIMENSIONS ARE IN MILLIMETERS	
APPVD		CHECKED	✓	MATERIAL:	
Weight:				THICKNESS:	
Surface Area:				FINISH:	
				DWG No: W-GPC62SC-TCS-d01 B1	
				Dwg. Issue 1	
DO NOT SCALE DRAWING This drawing remains the property of Tom Stoddart Pty Ltd ABN 16 009 690 251 & cannot be reproduced without prior permission. A3 Sheet 1 of 3					

File Location: G:\03_Engineering\Woodson\W-GPC62SC-TCS Teflon Clamping System\01_Solidworks\