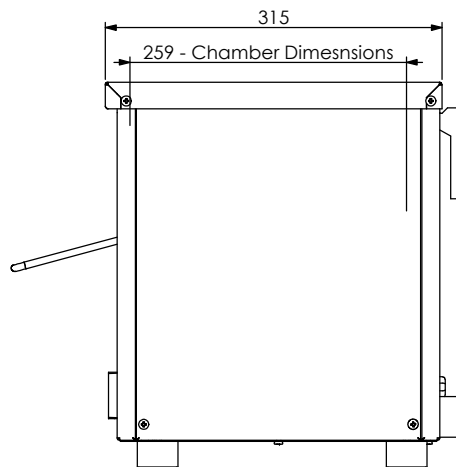
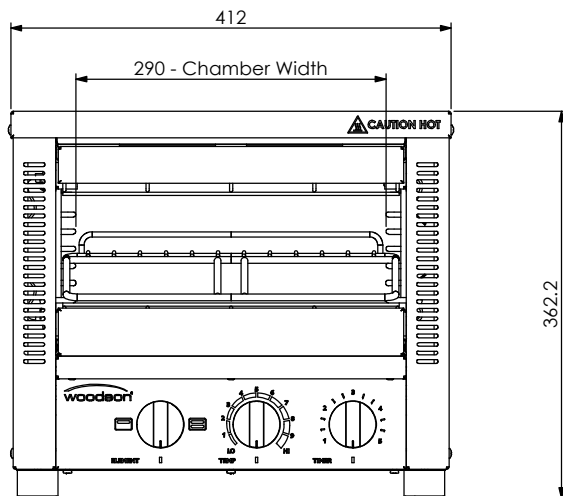
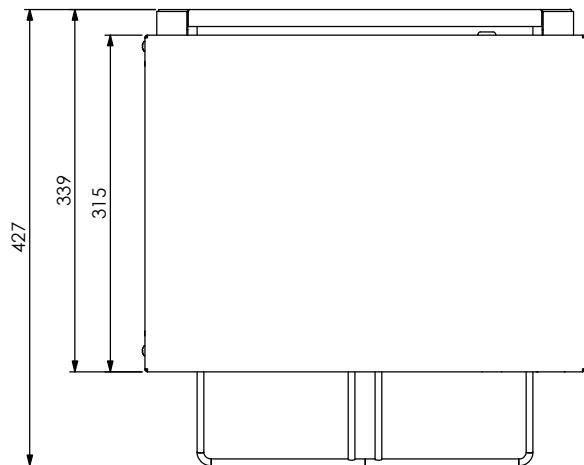
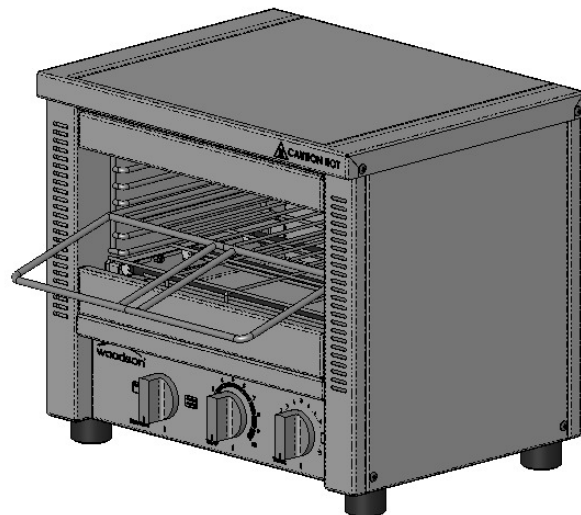


Product Details

Electrical Connection : 10A, 1Φ, 3-Pin plug and lead (supplied)
 Electrical Rating : 240V, 50Hz, 9.7A, 2220W
 : 6 Carbon Filament IR Elements @ 370 w (230V)
 Unit Controls : Energy Regulator (simmerstat) for top & bottom elements
 : 5min Time switch
 : Switch between top only or top & bottom elements.
 : 5 rungs of adjustment
 Chamber Dimensions : 290mm Wide x 87mm High x 259mm Deep
 Rack Dimensions : 314mm Wide x 239mm Deep



REV/VER.	REVISED BY	DATE	REVISION DESCRIPTION	STATUS
A2	T Herron	12/08/2019	Control panel split for ease of manufacture, some told sequences changed	For Manufacture
A1	T Herron	9/01/2019	Original Design	Revised



www.stoddart.com.au

				PART No: W-GTQI4-CUB A2	
DRAWN T Herron				DESCRIPTION: Woodson;Grill Toaster;Quartz Infra-red;4 Slice;2x2	
APPV'D D Bowden				MATERIAL:	
Weight:				THICKNESS:	
Surface Area:				FINISH:	
DWG No: W-GTQI4-CUB-d01 A2				Dwg. Issue 1	
DO NOT SCALE DRAWING This drawing remains the property of Tom Stoddart Pty Ltd ABN 16 009 690 251 & cannot be reproduced without prior permission					