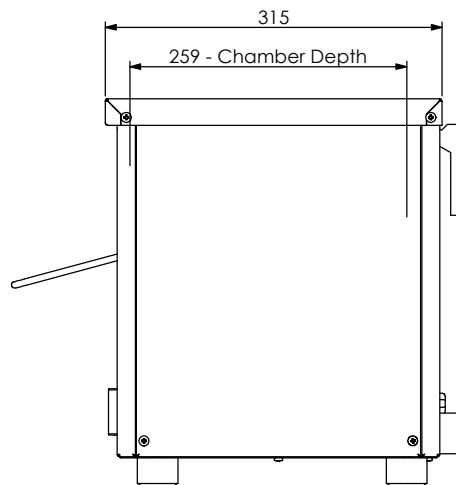
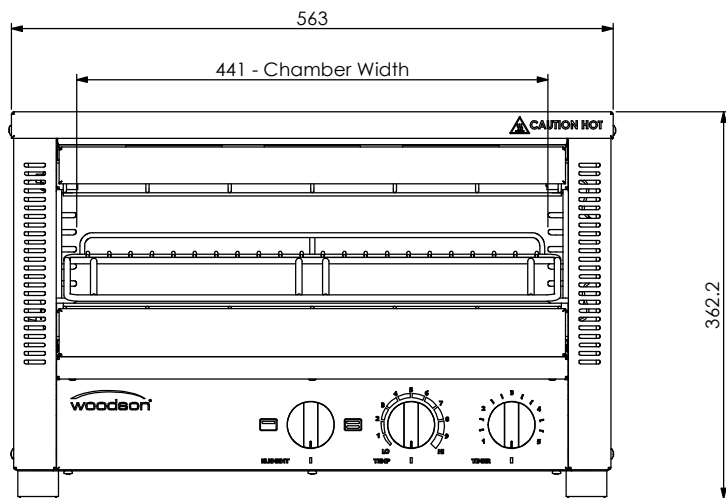
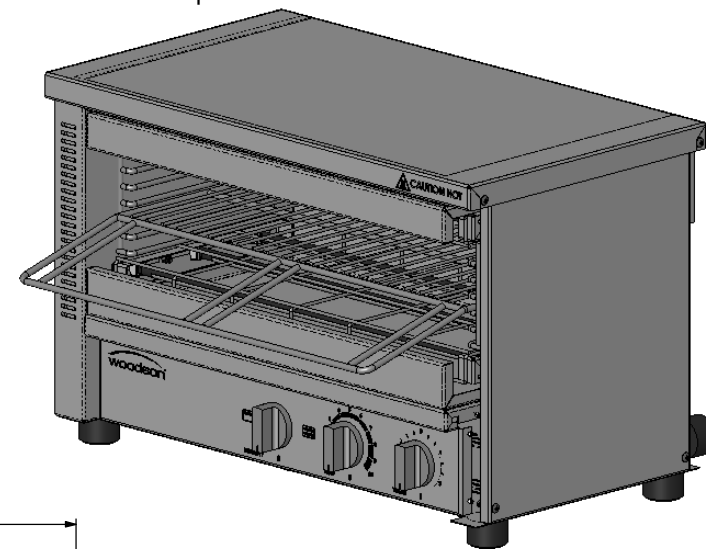
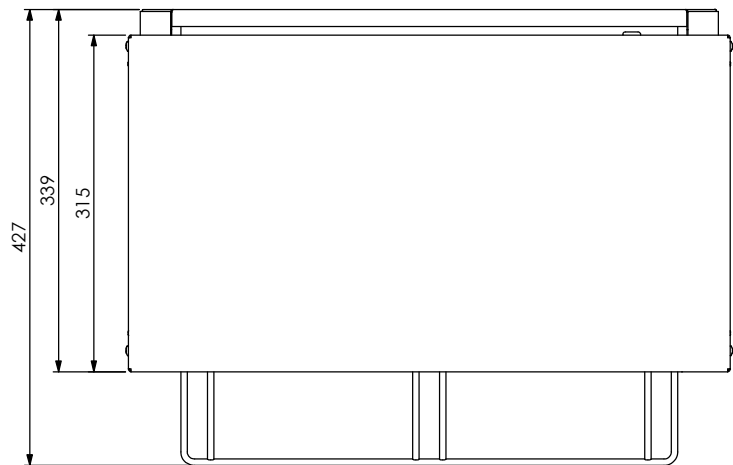


Product Details

- Electrical Connection : 10A, 1Φ, 3-Pin plug and lead (supplied)
- Electrical Rating : 240V, 50Hz, 9.8A, 2250W
- Unit Controls : 6 Carbon Filament IR Elements @ 375W (230V)
- Unit Controls : Energy Regulator (simmerstat) for top & bottom elements
- Unit Controls : 5min Time switch
- Unit Controls : Switch between top only or top & bottom elements.
- Unit Controls : 5 rungs of adjustment
- Chamber Dimensions : 441mm Wide x 87mm High x 259mm Deep
- Rack Dimensions : 465mm Wide x 239mm Deep



REV/VER.	REVISED BY	DATE	REVISION DESCRIPTION	STATUS
A2	T Herron	12/08/2019	Control panel split for ease of manufacture, some told sequences changed	For Manufacture
A1	T Herron	13/12/2018	Original Design	Revised



www.stoddart.com.au

				PART No: W-GTQI8-10 A2	
				DESCRIPTION: Woodson;Grill Toaster;Quartz Infra-red;8 Slice;10A	
DRAWN	T Herron	CHECKED	✓	DATE	12/08/2019
APPV'D	J Descroizilles	CHECKED	✓	DATE	20/08/2019
Weight:			UNLESS OTHERWISE SPECIFIED; DIMENSIONS ARE IN MILLIMETERS		
Surface Area:			MATERIAL:		
			THICKNESS:		
			FINISH:		
				DWG No:	W-GTQI8-10-d01 A2
				Dwg. Issue	
				1	
DO NOT SCALE DRAWING This drawing remains the property of Tom Stoddart Pty Ltd ABN 16 009 690 251 & cannot be reproduced without prior permission					
A3 Sheet 1 of 14					