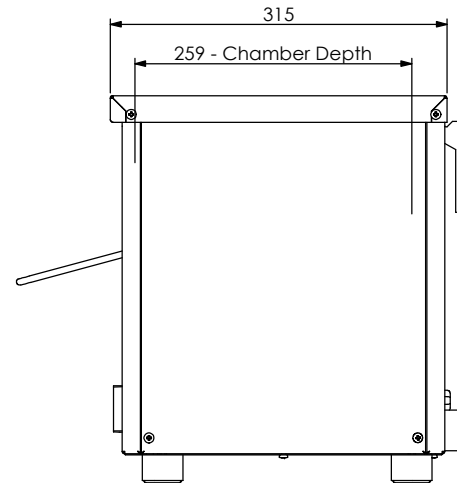
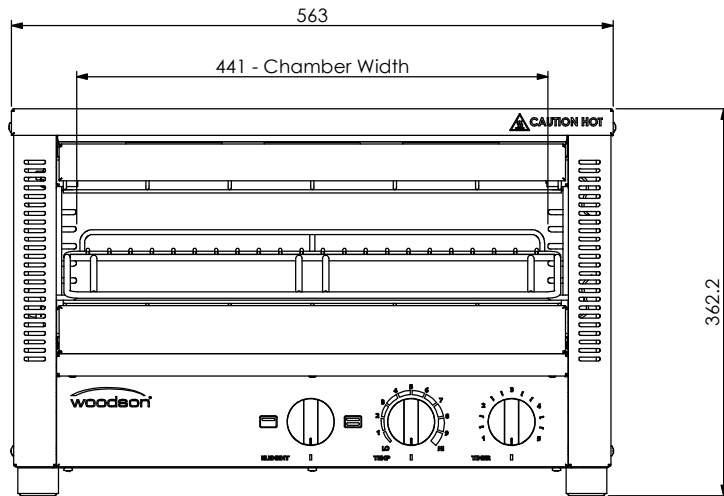
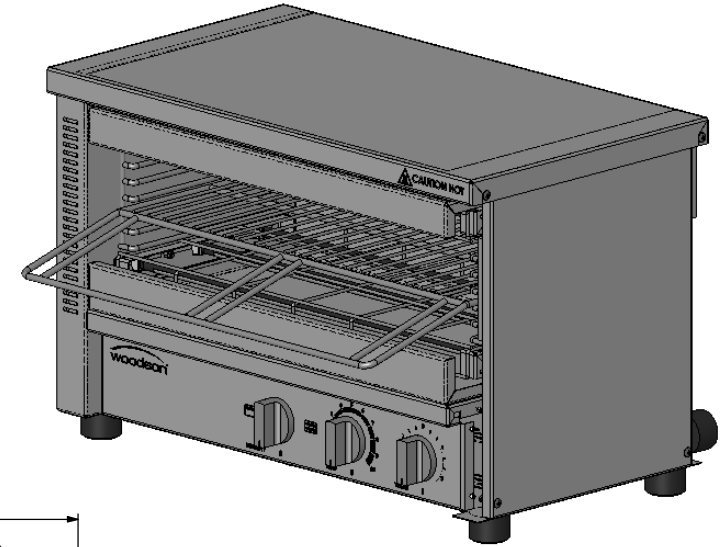
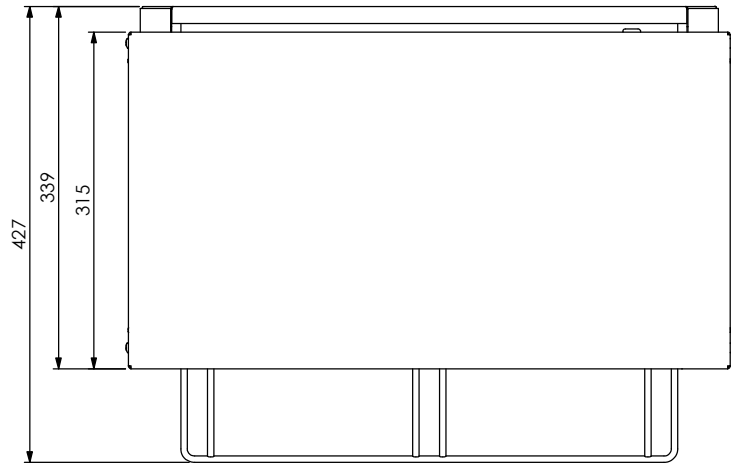


Product Details

Electrical Connection : 15A, 1Φ, 3-Pin plug and lead (supplied)
 Electrical Rating : 240V, 50Hz, 14.6A, 3360W
 : 6 Carbon Filament IR Elements @ 560W (230V)
 Unit Controls : Energy Regulator (simmerstat) for top & bottom elements
 : 5min Time switch
 : Switch between top only or top & bottom elements.
 : 5 rungs of adjustment
 Chamber Dimensions : 441mm Wide x 87mm High x 259mm Deep
 Rack Dimensions : 465mm Wide x 239mm Deep



REV/VER.	REVISED BY	DATE	REVISION DESCRIPTION	STATUS
C2	T Herron	12/08/2019	Control panel split for ease of manufacture, some told sequences changed	For Manufacture
C1	T Herron	13/12/2018	Product Revision, Overall redesign, new elements and control configuration, parts revised as noted.	Revised
B1	M Sheehan	24/09/2015	Product revision, Top element guard added, parts revised as noted	Revised
A2	M Sheehan	16/07/2014	Product update, Parts revised as noted	Revised
A1	M Sheehan	1/06/2012	Original Design	Revised



www.stoddart.com.au

DRAWN: T Herron				CHECKED: ✓		DATE: 12/08/2019		UNLESS OTHERWISE SPECIFIED: DIMENSIONS ARE IN MILLIMETERS		PART No: W-GTQI8-15 C2	
APPV'D: J Descroizilles				CHECKED: ✓		DATE: 20/08/2019		MATERIAL:		DESCRIPTION: Woodson;Grill Toaster;Quartz Infra-red;8 Slice;15Amp	
Weight:				THICKNESS:		FINISH:		DWG No: W-GTQI8-15-d01 C2		Dwg. Issue: 1	
Surface Area:				DO NOT SCALE DRAWING		This drawing remains the property of Tom Stoddart Pty Ltd ABN 16 009 690 251 & cannot be reproduced without prior permission		A3		Sheet 1 of 14	