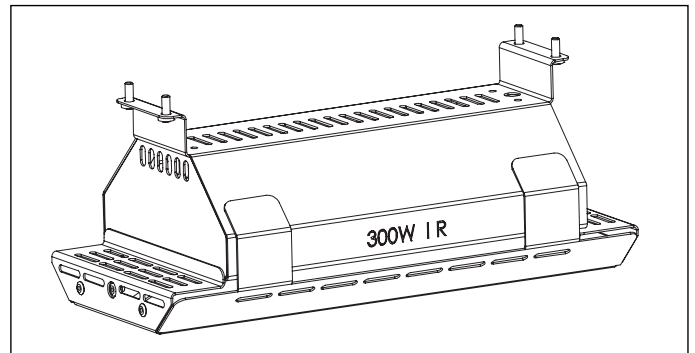
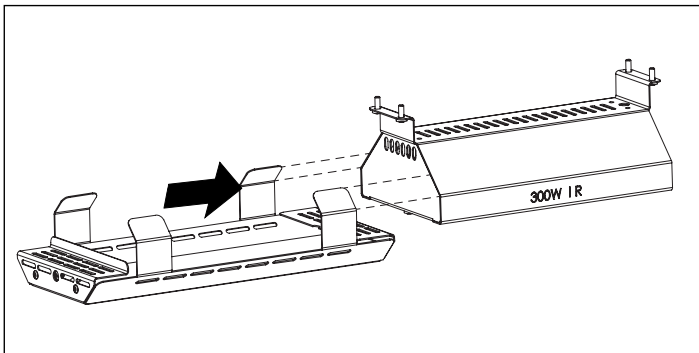


## Woodson Heat Lamp Cover Installation

Read these instructions carefully and retain for future reference.

### Installation

1. Remove protective film from heat lamp cover
2. Slide heatlamp cover over the heatlamp



### Cleaning

1. Turn off heat lamps and allow to cool
2. Once cool remove heat lamp cover and clean with warm (not hot) soapy water and a sponge
3. Ensure all due care is taken when cleaning the glass
4. Thoroughly dry the heatlamp cover with a soft cloth
5. Re-install heatlamp cover