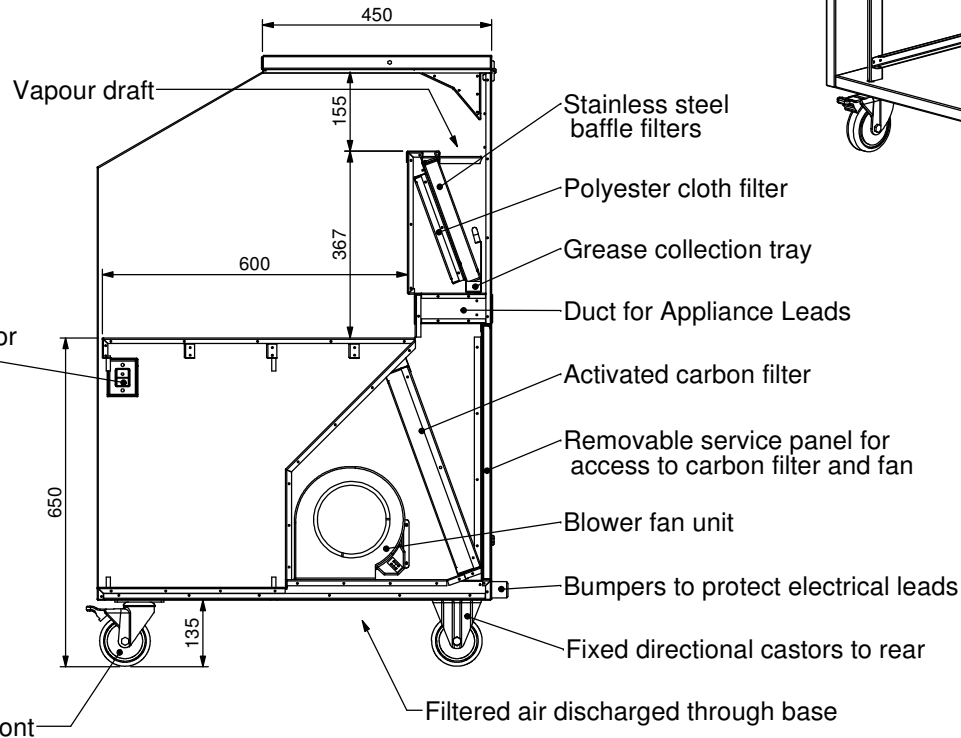
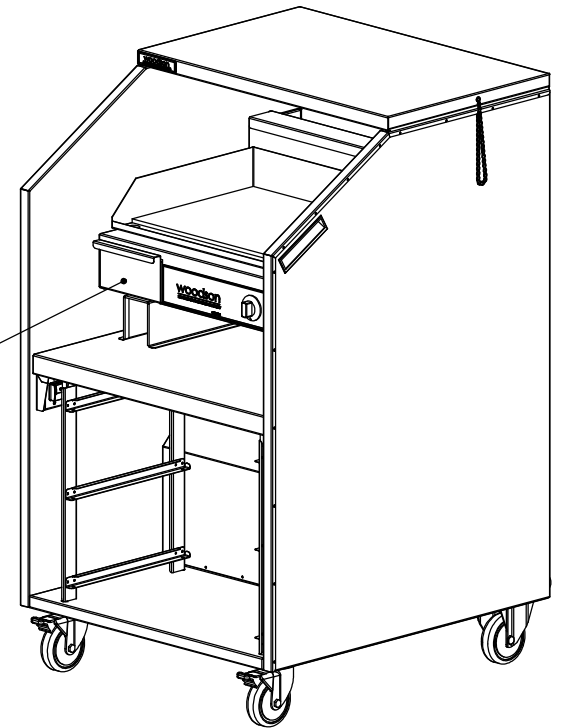


**Product Details (Ventilated Station ONLY)**

- Electrical Connection : 10A, 1Φ, 3-Pin plug and lead (supplied)
- Electrical Rating : 240V, 2A, 480W
- Unit Controls : 1 x Blower fan @ 480W
- Filtration System : Power switch with indicator light
- : Stainless steel baffle filters
- : Polyester cloth filter
- : Activated carbon filter
- : Blower fan unit

Shown with optional WGDA50  
Woodson Griddle



Lockable swivel castors to front

Woodson Mobile Ventilated Station				PART No: <b>W-MVS B1</b>	
DRAWN	M Sheehan	SIGNATURE	DATE	UNLESS OTHERWISE SPECIFIED:	DESCRIPTION: Woodson Mobile Ventilated Station
APP'VD			13/05/2013	DIMENSIONS ARE IN MILLIMETERS	
Weight:			MATERIAL:		
Surface Area:			THICKNESS:		
			FINISH:		
DO NOT SCALE DRAWING				This drawing remains the property of Tom Stoddart Pty Ltd & cannot be reproduced without prior permission.	
				A3	Sheet 1 of 49

REV/VER.	REVISED BY	DATE	REVISION DESCRIPTION	STATUS
B1	M Sheehan	19/09/2013	Shelf height lowered, exhaust cavity welded, extra rack slide	For Manufacture
A1	M Sheehan	13/05/2013	Original design. Unit renamed from SP-WMVS A1.	Revised

**STODDART**  
MANUFACTURING  
TOM STODDART Pty Ltd  
ACN 009 690 251  
www.stoddart.com.au