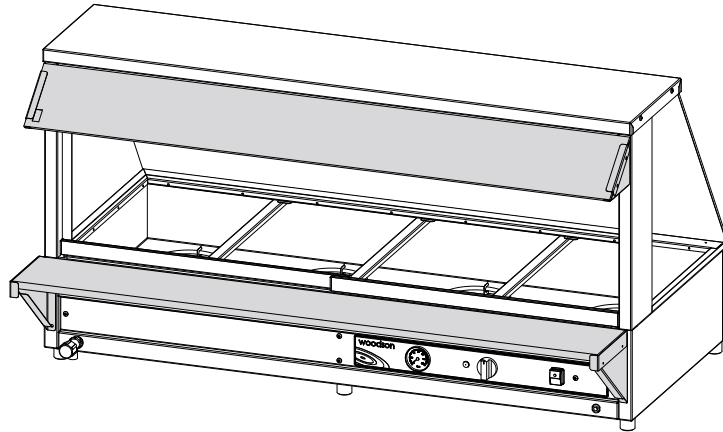


Tray Race / Sneeze Guard Installation

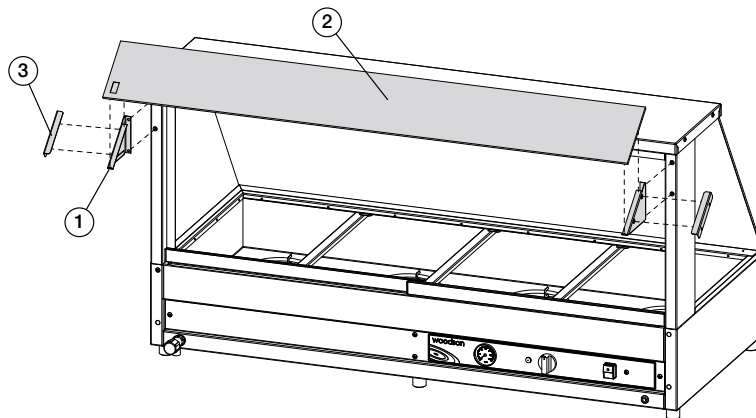
Read these instructions carefully and retain for future reference.

Sneeze Guard / Tray Race



Sneeze Guard

1. Remove the screws from the LHS and RHS top back of unit, mount the sneeze guard brackets in place with the screws.
2. Peel the backing tape off (on top of bracket), carefully place glass onto the brackets
3. Secure the retaining bracket over the glass with the provided screws



Tray Race

1. Remove the screws from the LHS and RHS bottom back of unit, mount the tray race brackets in place with the screws
2. Place tray onto the brackets and secure with screws
3. Place end brackets into position and secure with screws

