



**CD.SSAL.300.900**  
**Cutlery Soak Sinks**  
**Ambient - Assisted Lift**



**Product Code:**

<b>CD</b>	Dish Handling
<b>SSAL</b>	Soak Sink - Assisted Lift
<b>300</b>	300mm Deep Bowl
<b>900</b>	900mm High Bowl

**Technical Data:**

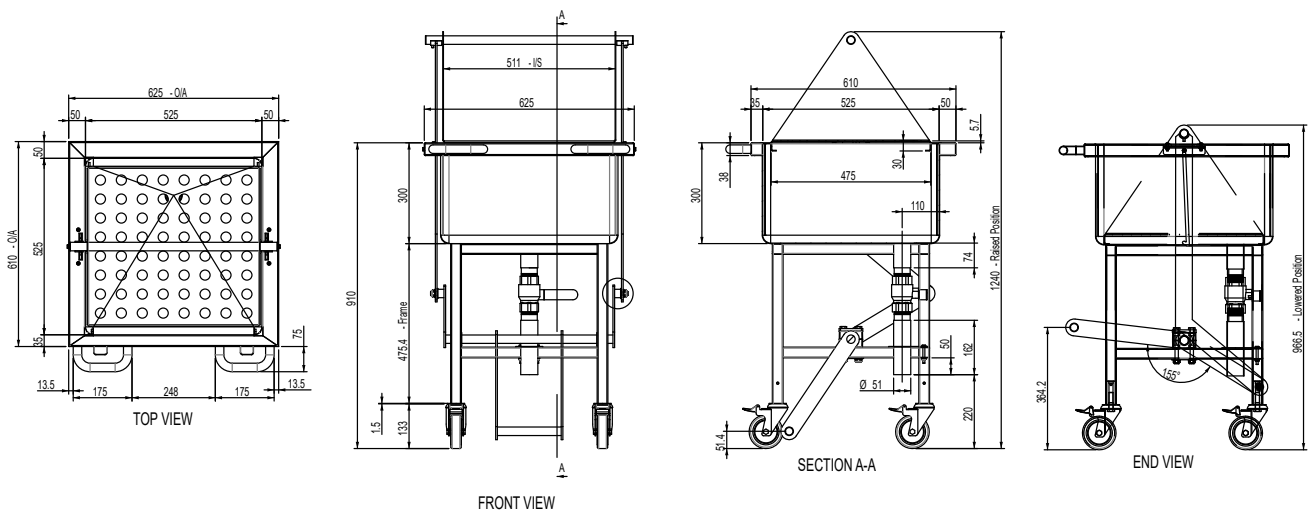
Dimensions: W x D x H: 625 X 685 X 1240

**Product Information:**

- Robust construction from 304 grade stainless steel with a No.4 finish
- 25mm radius internal corners to stainless steel sink prevent bacteria growth in sharp corners, easy to clean
- 50mm stainless steel ball valve enables easy draining
- Easy-push 125mm swivel castors, with brakes
- Mobile so can be pushed and positioned where convenient

**Assisted Lift:**

- Practical equipment to assist in reduction of OH & S issues in dish wash area
- Ergonomically designed handles
- Eliminates lifting of heavy soaking trays, reduces twisting and turning associated with positioning full racks on dish wash entry allows cups and/or cutlery to be soaked at safe working height
- Foot operated assisted lift allows basket to be raised out of soaking solution to 910mm, so that basket can be slid over wet deck onto dish wash entry bench, ready for wash and sanitising
- Sturdy 32mm stainless steel square tube legs
- 300mm deep sinks suits 2 x standard 500 x 500 dishwasher baskets.



All Culinaire products are supplied with a 12 month parts and labour warranty as standard.

Due to continuous product research and development, the information contained herein is subject to change without notice.  
 Revision: January 5, 2021 - B

[www.stoddart.com.au](http://www.stoddart.com.au)  
[www.stoddart.co.nz](http://www.stoddart.co.nz)



Proudly Manufactured in Australia

